

Flanged Motor Valve compact 7332

DN 15 up to DN 50



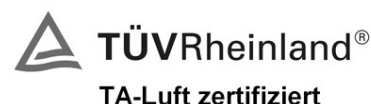
Fast and high resolution motorvalve for control and switching of neutral through to highly aggressive media in process engineering, chemical industries and for plant equipment.

- Low operation noise level (quiet operation)
- Control of high differential pressures with small actuators
- Fast stroking speed
- Small dead band
- Smooth start and slow down
- Stainless steel body



Technical Information of the Valve

Nominal sizes	DN 15 up to DN 50
Body material	1.4408
Connection	Flanges acc. DIN EN 1092-1 Flanges acc. ANSI #150
Dimensions	acc. DIN EN 558-1 Row 1 acc. ANSI/ISA-75.08.01
Nominal pressure	PN 40, ANSI #150
Max. fluid temperature*	-30°C up to +200°C
Viscosity of media	maximum 600 mm ² /s (600cSt, 80°E)
Vakuum	maximum 0,001 bar abs
Rageability	30:1
Working pressure for version without cavities	maximum 12 bar



NEW!

Technical Information of the Actuator

Driving force	2,0 kN
Power connections	24 V AC/DC 100 - 240 V 50/60Hz
Ambient temperature	-20°C up to +60°C
Storage Temperature	-30°C bis +80°C
Mounting position	choice horizontal or vertical actuator only
Protection class (EN 60529)	IP 67
Max. power consumption	40 Watt
dead band	±0,2% at min. 6mm stroke
repeat accuracy	±0,1% at min. 6mm stroke
Set point range	adjustable 0(4) - 20 mA, 0(2) - 10 V optional binary input signal (24V DC)
Feed back	adjustable 0(4) - 20 mA, 0(2) - 10 V
Self Monitoring	monitoring of the driving power, set point, actuator temperature, temperature of the electronic etc.
Diagnostic function	storage of motor and total service life, temperature- and way classes
Valve adaptation	automatic stroke adjustment to suit valve limits
additional inputs	binary input
additional outputs	2 alarm outputs

Stroking Times

DN	Stroke	Stroking time (sec.) for the complete stroke				
		0,75 s/mm	1 s/mm	1,5 s/mm	2 s/mm	4 s/mm
15	9	7	9	13	17	35
20	9	7	9	14	18	37
25	14	11	14	21	28	57
32	19	14	19	28	38	76
40	18	14	18	27	36	72
50	20	15	20	30	40	80

*: for controlcone linear 100%

= Standard

Options

2 additional stroke limit switches	free adjustable volt free contacts (open/close)
Fail safe protection	Mounted in own body at actuator Safety position freely selectable
Communication software	with communication link, for parametrization and diagnosis of the actuator
Bluetoothmodul BT-1	Wireless connection to DeviceConfig configuration software (upgrade option)

Admissible Differential Pressures

Nominal size	p max (bar)											
	DN15		DN20		DN25		DN32		DN40		DN50	
	On/off	Control	On/off	Control	On/off	Control	On/off	Control	On/off	Control	On/off	Control
Stainless steel body	40	16	40	16	32	16	23	16	16	16	10	10

Kvs-values

DN	linear						equal percentage					
	15	20	25	32	40	50	15	20	25	32	40	50
100 %	3,2	5,8	10,8	16	22	33,5	3	5,4	10	15,5	20	-
63 %	-	3,5	-	10	13,2	20,1*	-	3,3	-	9,3	12	-
40 %	1,3	2,3	4,3	6,4	8,8	13,4*	1,3	2,2	4	6,2	8	-
25 %	0,8	-	2,7	-	-	-	0,75	-	2,5	-	-	-

*: control cone only available for reinforced design

Flanged Motor Valve compact 7332



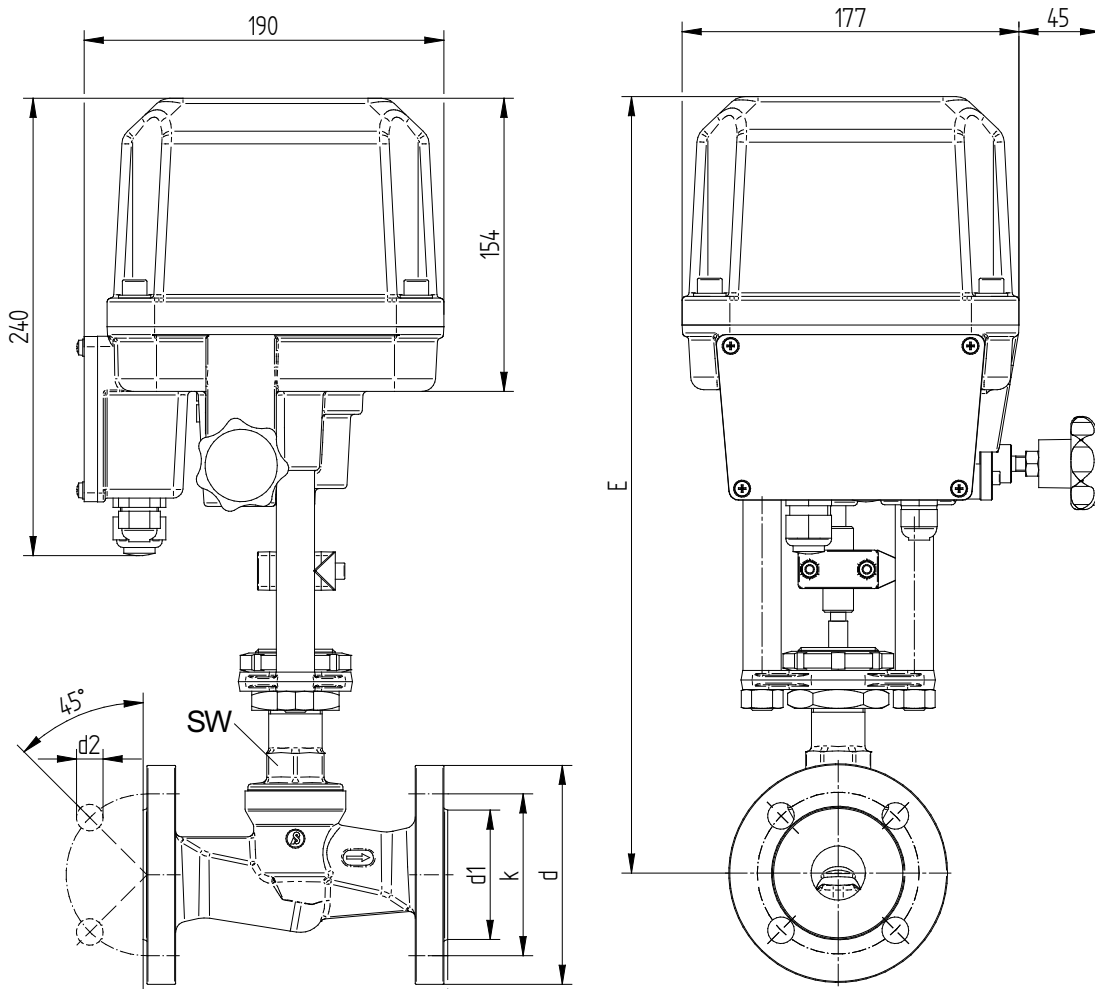
Ordering Number System

		Article number											
		7332/									S		
Nominal size:													
DN 15		015											
DN 20		020											
DN 25		025											
DN 32		032											
DN 40		040											
DN 50		050											
Item:													
Valve		V											
Upper part		U											
Actuator		A											
Body design:													
Flanged valve			9										
Connection:													
Flanges acc. DIN 2635				1									
Body material:													
Stainless steel					2								
Seating seal:													
PTFE						0							
FKM (Viton)						1							
EPDM						2							
NBR						3							
Actuator:													
without actuator						0							
2kN, position electronic, IP67, activation: 4-20mA or 2-10V, feedback 4-20mA or 2-10V						1							
Motor Voltage													
100 - 240V, 50/60Hz										-			
24V AC/DC										1			
Control plug:													
none											-		
linear 100%											1		
equal percentage 100%											2		
linear 40%											3		
equal percentage 40%											4		
linear 25%											5		
equal percentage 25%											6		
Special versions													
without safety position												-	
spring to close												0	
spring to open												1	
Safety position													
without safety position													-
Stroking times													
Standard (1,5s/mm=0,67mm/s)													-
0,75s/mm = 1,33mm/s													1
1s/mm = 1mm/s													2
2s/mm = 0,5mm/s													3
4s/mm = 0,25mm/s													4
20s/mm = 0,05mm/s													9

Bestellbeispiel: 7332/025V9120A-1
 Flanschventil mit Motorantrieb, DN 25, PN 10/40, DIN-Flansch, Edelstahl,
 Schubantrieb 2 kN, 100-240V 50/60 Hz, Regelkegel 100% linear

Flanged Motor Valve compact 7332

Dimensions and Weights



DN	flanges acc. DIN					flanges acc. ANSI					SW	E	weight kg
	L	d	d1	d2	k	L	d	d1	d2	k			
15	130	95	45	14	65	184	88,9	35,1	15,7	60,5	30	386	3,7
20	150	105	58	14	75	184	98,6	42,9	15,7	69,9	30	390	4,7
25	160	115	68	14	85	184	108	50,8	15,7	79,2	30	408	5,4
32	180	140	78	18	100	200	117,3	63,5	15,7	88,9	30	411	7,2
40	200	150	88	18	110	222	127	73,2	15,7	98,6	36	420	8,5
50	230	165	102	18	125	254	152,4	91,9	19,1	120,7	36	445	10,5

dimensions in mm