

Flanged Motor Valve compact 7232

DN 15 up to DN 50



Motor valve for on/off- and modulating operation for neutral and aggressive media.

- Compact design
- Self adaption
- Unaffected by lightly contaminated media
- For operating temperatures from -30°C up to +200°C
- Working pressure up to 40 bar
- Versatile actuator options
- Actuators with control function also available with spring return



Technical Information Valve

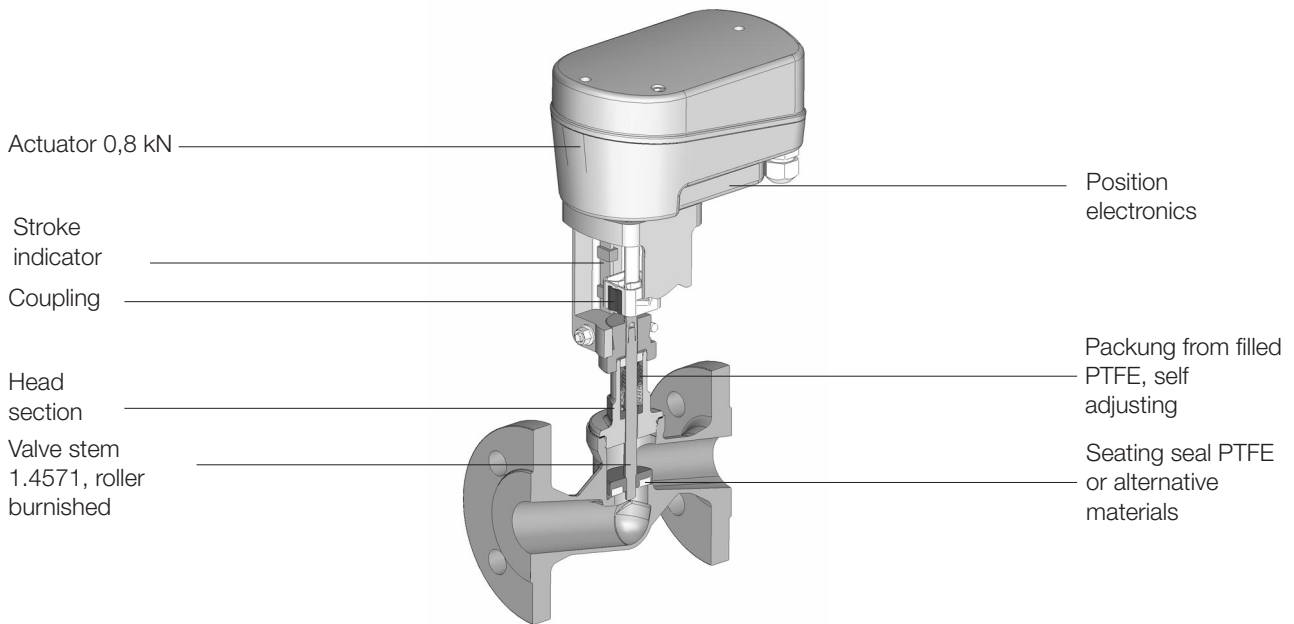
Body materials	Stainless steel 1.4408
Nominal sizes	DN 15 up to DN 50
Connection	Flanges acc. DIN 2635
Dimension	acc. DIN EN558-1 Row 1
Nominal pressure	PN 40
Max. fluid temperature	-30°C up to +200°C
Viscosity	max. 600 mm ² /s (600 cSt)
Vacuum	max. 0,001 bar, abs.
Operating pressure packing underneath	max. 12 bar



Technical Information Motor Actuator

Type of motor	BM24C	BM24C/I	BM24C/IOS2	BM250C/IO2	BM24	BM115	BM230
Function	Control	Control	Control	Control	On/Off	On/Off	On/Off
Nominal voltage	24 V AC/DC	24 V AC/DC	20-30V AC 20-45V DC	85-250V AC 120-250V DC	24 V AC/DC	115V AC	230 V AC
Set point	2 - 10 V	4 - 20 mA	4 - 20 mA	4 - 20 mA	3-step	3-step	3-step
Load	100 kOhm	500 Ohm	500 Ohm	500 Ohm	-	-	-
Position feedback	2 - 10 V	2 - 10 V	4 - 20 mA	4 - 20 mA	-	-	-
external load	-	-	< 700 Ohm	< 700 Ohm	-	-	-
limit switches	-	-	2 x	2 x	-	-	-
max. switching load	-	-	24V AC/DC 70mA	24V AC/DC 70mA	-	-	-
Power consumption	3 W	3 W	3 W	4 W	3 W	6 W	6 W
Stroking time (standard)	3,50 s/mm	3,50 s/mm	3,50 s/mm	3,50 s/mm	7,5 s/mm	7,5 s/mm	7,5 s/mm
Thrust	800 N						
Class of protection	IP 65						
Ambient temperature	-10°C up to +60°C						

Flanged Motor Valve compact 7232



Admissible Differential Pressures

Nominal size	p max (bar)											
	DN15		DN20		DN25		DN32		DN40		DN50	
	On/off	Control	On/off	Control	On/off	Control	On/off	Control	On/off	Control	On/off	Control
Stainless steel body	40	16	20	16	12	12	7	7	4,8	4,8	2,8	2,8

Kvs-Values

Characteristic	linear						equal percentage					
	15	20	25	32	40	50	15	20	25	32	40	50
100 %	3,2	5,8	10,8	16	22	34	3	5,4	10	15,5	20	-
63 %	-	3,5	-	10	13	20	-	3,3	-	9,3	12	-
40 %	1,3	2,3	4,3	6,4	8,8	13,4	1,3	2,2	4	6,2	8	-
25 %	0,8	-	2,7	-	-	-	0,8	-	2,7	-	-	-
On-Off	3,4	6,5	11	17	25	40						

Optional Adjustments

	Control actuator	On-Off actuator
Stroking times	1,75 s/mm - 14,0 s/mm	7,5 / 4,5 sec./mm
Sense of action	direct / reverse	-
Control signal	Starting point: 0,5-30 V / 1-60 mA Ending point: 2,5-32V / 3-64mA	-
Feedback	Starting point: 0,5-8 V / 1-16 mA Ending point: 1,5-10V / 3-20mA	-
Limit switches	0 - 100% stroke (adjustable)	-

Flanged Motor Valve compact 7232



Ordering Number System

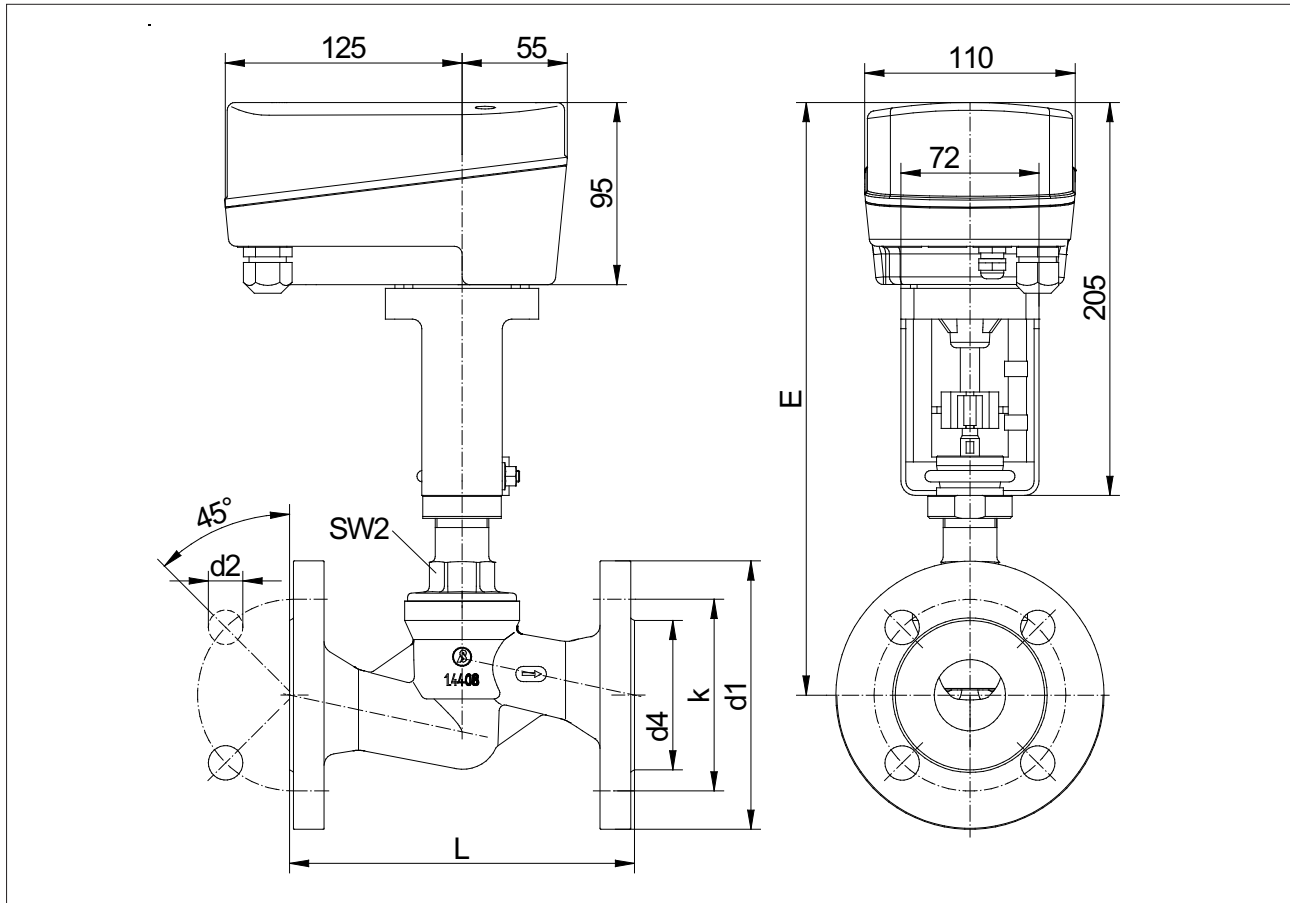
	Article number									
	7232/				K					S
Nominal size:										
DN 15	015									
DN 20	020									
DN 25	025									
DN 32	032									
DN 40	040									
DN 50	050									
Item:										
Valve	V									
Upper part	U									
Actuator	A									
Body design:										
Flanged valve					9					
Connection:										
Flanges acc. DIN 2635						1				
Body material:										
Stainless steel							2			
Seating seal:										
PTFE							0			
FKM (Viton)							1			
EPDM							2			
NBR							3			
Actuator:										
Control actuator BM250C/IOS2 85-250V AC/ 120-250V DC- control electr. 4-20mA - feedb. 4-20mA -2 limit switch.							0			
Control actuator BM24C - 24V AC/DC - control electronics 2-10V - feedback 2-10V							1			
Control actuator BM24C/I - 24V AC/DC - control electronics 4-20mA - feedback 2-10V							2			
On-Off actuator BM24 - 24V AC/DC							6			
On-Off actuator BM230 - 230V AC							7			
On-Off actuator BM115 - 115V AC							8			
Control actuator BM24C/IOS2 20-30V AC/ 20-45V DC- control electr. 4-20mA - feedback 4-20mA -2 limit switches							9			
Control plug:										
none							-			
linear 100%							1			
equal percentage 100%							2			
linear 40%							3			
equal percentage 40%							4			
linear 25%							5			
equal percentage 25%							6			
Safety position:										
without safety position									-	
spring to close									0	
spring to open									1	
Stroking times										
Standard (3,5 s/mm for control actuators - 7,5 s/mm for on-off-actuators)										-
4,5 s/mm (on-off actuators only)										L
1,75 s/mm (control actuators only), with safety spring return 3,0 s/mm										1
7,0 s/mm (control actuators only)										2
14,0 s/mm (control actuators only)										3

Ordering example:

7232/025VK912021

Flanged compact motor valve type 7232, DN 25, flanges acc. DIN 2635, stainless steel body, seating seal PTFE, control actuator BM24C/I, 24V AC/DC, 0,8 kN, control electronics 4-20 mA, position feedback 2-10V, linear characteristic, Kvs-value 14 (100 %).

Dimensions and Weights

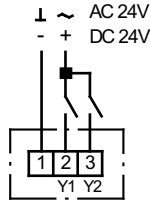


DN	L	d1	d2	d4	k	E	Stroke	Weight kg
15	130	95	14	45	65	284	9	3,4
20	150	105	14	58	75	288	14	4,3
25	160	115	14	68	85	305	18	4,9
32	180	140	18	78	100	309	21	6,5
40	200	150	18	88	110	315	22	7,7
50	230	165	18	102	125	339	22	9,5

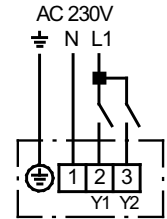
Dimensions in mm

On/Off-Actuators

Actuator: BM24
24V AC/DC
3-step drive

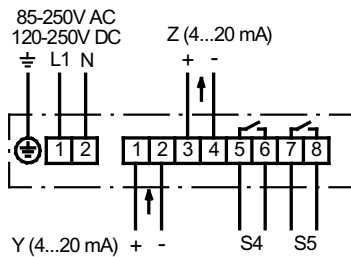


Actuator: BM230, BM115
230V 50/60 Hz
115V 50/60 Hz
3-step drive

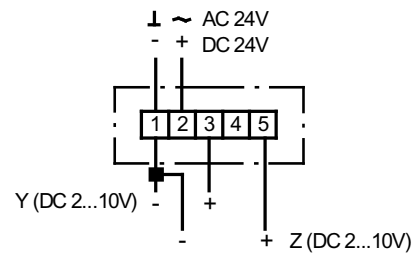


Control Actuators

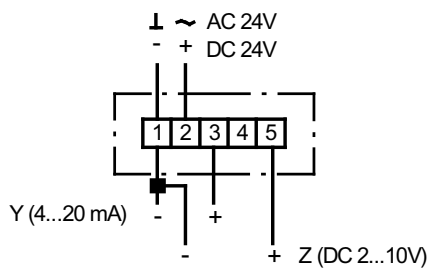
Actuator: BM250C/IOS2, BM230C/IOS2-R
85-250V AC 120-250V DC
input signal 4-20mA
feedback signal 4-20mA
2 limit switches



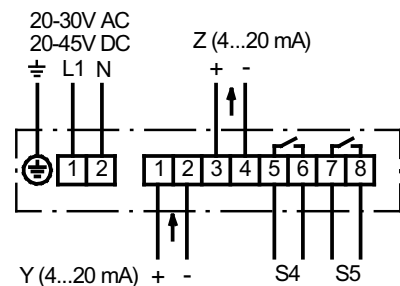
Actuator: BM24C, BM24C-R
24V AC/DC
input signal 2-10V
feedback signal 2-10V



Actuator: BM24C/I, BM24C/I-R
24V AC/DC
input signal 4-20mA
feedback signal 2-10V



Actuator: BM24C/IOS2
20-30V AC 20-45V DC
input signal 4-20mA
feedback signal 4-20mA
2 limit switches



Text and pictures are not binding. We reserve the right, to alter the equipment.

BM.....-R: version with safety position
Y: signal, Z: feedback signal