

3/2-Way Motor Control Valve 7382

DN 15 up to DN 50



Fast and high resolution motorvalve for control and switching of neutral through to highly aggressive media in process engineering, chemical industries and for plant equipment.

- Unaffected by lightly contaminated fluids
- Low operation noise level (quiet operation)
- Fast stroking speed
- Small dead band
- Smooth start and slow down
- Stainless steel body



Technical Information on the Valve

Nominal sizes	DN 15 up to DN 50
Anschlüsse	Pipe thread acc. ISO 228-1: G 1/2" - 2" NPT thread: 1/2" - 2"
Nominal pressure	PN40
Fluid temperature*	-30°C up to + 200°C

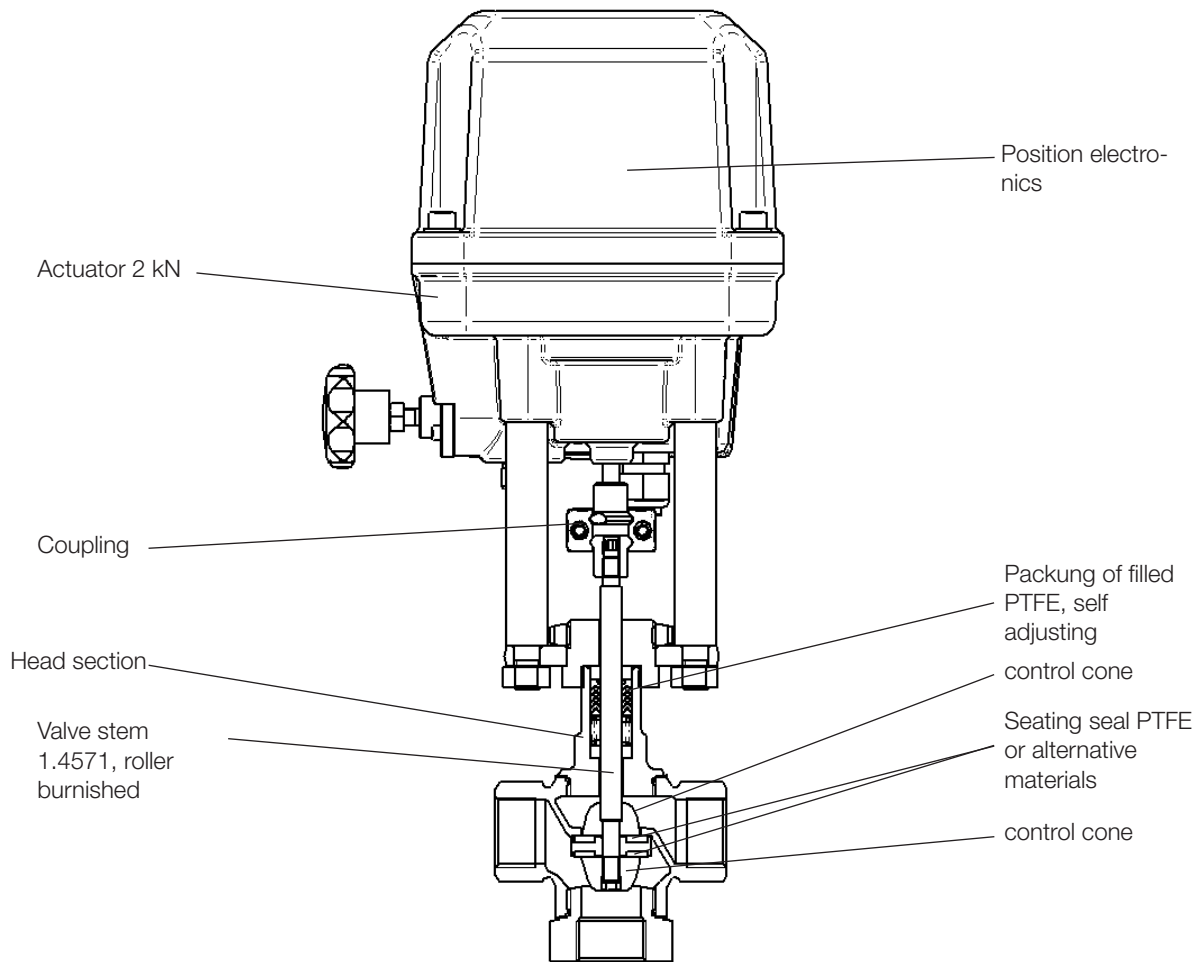
*: Please consider further temperature versions and limits in technical bulletin 32

NEW!

Technical Information on the Motor Actuator

Driving force	2,0 kN
Power connections	24 V AC/DC 100 - 240 V 50/60Hz
Ambient temperature	-20°C up to +60°C
Storage Temperature	-30°C bis +80°C
Mounting position	choice horizontal or vertical actuator only
Protection class (EN 60529)	IP 67
Max. power consumption	40 Watt
dead band	±0,2% at min. 6mm stroke
repeat accuracy	±0,1% at min. 6mm stroke
Stroking times	0,75 s/mm up to 10 s/mm (Standard 1,5 s/mm)
Set point range	adjustable 0(4) - 20 mA, 0(2) - 10 V optional binary input signal (24V DC)
Feed back	adjustable 0(4) - 20 mA, 0(2) - 10 V
Self Monitoring	monitoring of the driving power, set point, actuator temperature, temperature of the electronic etc.
Diagnostic function	storage of motor and total service life, temperature- and way classes
Valve adaptation	automatic stroke adjustment to suit valve limits
additional inputs	binary input
additional outputs	2 alarm outputs

3/2-Way Motor Control Valve 7382



Stroking times

DN	Stroke	Stroking time (sec.) for the complete stroke				
		0,75 s/mm	1 s/mm	1,5 s/mm	2 s/mm	4 s/mm
15 - 25	14	11	14	21	28	56
32	15	11	15	23	30	60
40	23	17	23	35	46	92
50	22	17	22	33	44	88

*: for controlcone linear 100%

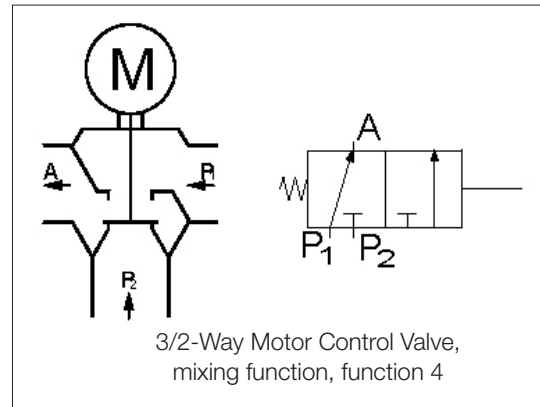
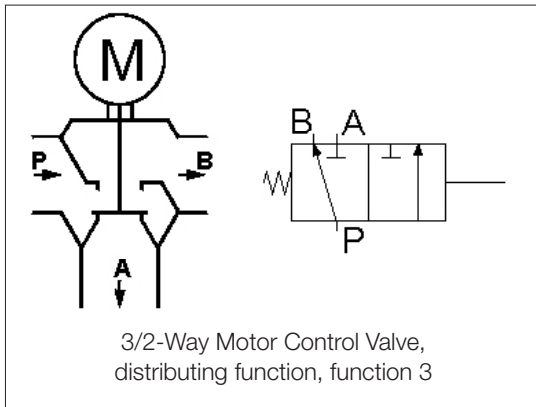
= Standard

Options

2 additional stroke limit switches	free adjustable volt free contacts (open/close)
Process controller	PI - process controller integrated in the actuator
Fail safe protection (in preparation)	Mounted in own body at actuator Safety position freely selectable
Communication software	with communication link, for parametrization and diagnosis of the actuator
Bluetoothmodul BT-1	Wireless connection to DeviceConfig configuration software (upgrade option)

3/2-Way Motor Control Valve 7382

Functions



Admissible differential pressures, distributing function

Seating seal	PTFE
Nominal size DN	p,max. bar
15	16
20	16
25	16
32	15
40	9,5
50	5,5

Admissible differential pressures, mixing function

Seating seal	PTFE	PEEK (7)	PEEK (8) ⁽¹⁾	ELASTOMER ⁽²⁾
Nominal size DN	p,max. bar			
15	16	16	16	16
20	16	16	16	16
25	16	16	16	16
32	16	8	14	16
40	10	3	9	11
50	5	0,5	4	6

(1): at T > 160°C

(2): only for on/off valves

Kvs-values

DN	Kvs - value			
	distributing function		mixing function	
	P-A	P-B	P1-A	P2-A
15	7,5	5,5	5,5	7,5
20	10	6,5	6,5	10
25	14	10	10	14
32	18	15	15	18
40	45	27	27	45
50	57	41	41	57

3/2-Way Motor Control Valve 7382



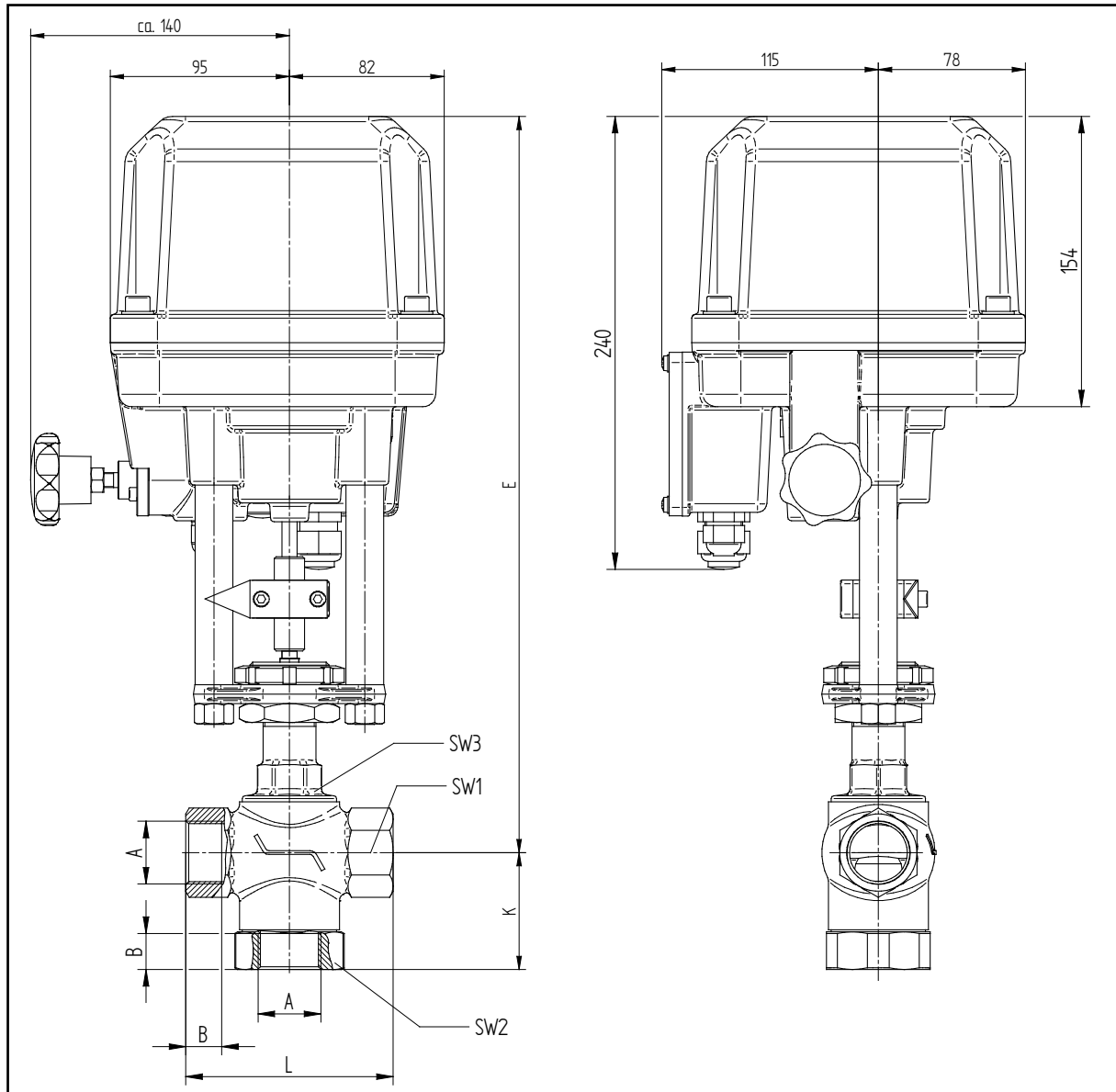
Ordering Number System

		Article number											
		7382/									S		
Nominal size:													
DN 15		015											
DN 20		020											
DN 25		025											
DN 32		032											
DN 40		040											
DN 50		050											
Item:													
Valve		V											
Upper part		U											
Actuator		A											
Body design:													
3/2-way valve, distributing function						3							
3/2-way valve, mixing function						4							
Connection:													
Whitworth pipe thread acc. DIN 2999 / ISO 228						0							
NPT thread						5							
flange connection acc. DIN EN 1092-1, PN40, welded version						9							
Body material:													
Stainless steel						2							
Seating seal:													
PTFE						0							
PEEK						7							
PEEK for applications above 160°C[320°F]						8							
Actuator:													
without actuator						0							
2kN, position electronic, IP67, activation: 4-20mA or 2-10V, feedback 4-20mA or 2-10V						1							
Motor Voltage													
100 - 240V, 50/60Hz										-			
24V AC/DC										1			
Control plug:													
none											-		
linear 100%											1		
Special versions													
without safety position												-	
spring to close												0	
spring to open												1	
Safety position													
without safety position													-
Stroking times													
Standard (1,5s/mm=0,67mm/s)													-
0,75s/mm = 1,33mm/s													1
1s/mm = 1mm/s													2
2s/mm = 0,5mm/s													3
4s/mm = 0,25mm/s													4
20s/mm = 0,05mm/s													9

Ordering example: 7382/025V30201-1
 3/2-way motorvalve, DN25, PN40, distribution function, Whitworth-pipe thread, Stainless steel, PTFE-Seating seal, Actuator 2kN, 100-240V 50/60 Hz, control plug 100% linear

3/2-Way Motor Control Valve 7382

Dimensions and Weights



DN	A		B		E	Stroke	K	L	SW1	SW2	SW3	Weight kg
	G-thread	NPT-thread	G-thread	NPT-thread								
15	1/2"	1/2"	15	14,5	380	14	62	90	26	41	30	10
20	3/4"	3/4"	16,3	15	380	14	62	90	32	41	30	10
25	1"	1"	19,1	18	392	14	63	110	41	55	30	10,4
32	1 1/4"	1 1/4"	21,4	18,4	400	15	74	130	48	65	30	11
40	1 1/2"	1 1/2"	21,4	18,4	410	23	88	140	58	75	32	11,9
50	2"	2"	25,7	19	423	23	95	180	85	90	36	15,1

dimensions in mm