

Flanged Motor Valve compact 7332

DN 15 up to DN 80

Fast and high resolution motorvalve for control and switching of neutral through to highly aggressive media in process engineering, chemical industries and for plant equipment.

- Low operation noise level (quiet operation)
- Control of high differential pressures with small actuators
- Fast stroking speed
- Small dead band
- Smooth start and slow down
- Stainless steel body
- For temperatures from -100°C up to +200°C



Technical Information of the Valve

Nominal sizes	DN 15 up to DN 80
Body material	1.4408 (CF8M)
Connection	Flanges acc. DIN EN 1092-1 (DN15-DN80) Flanges acc. ANSI #150 (DN15-DN50)
Dimensions	acc. DIN EN 558-1 Row 1 acc. ANSI/ISA-75.08.01
Nominal pressure	PN 40, ANSI #150
Media temperature*:	-30°C up to +200°C opt. -100°C up to +220°C
Viscosity of media	maximum 600 mm ² /s (600cSt, 80°E)
Vakuum	maximum 0,001 bar abs
Rageability	30:1
Working pressure for version without cavities	maximum 12 bar
Packing leakage	tested according to TA-Luft as defined in DIN EN ISO 15848-1 and VDI 2440

Technische Daten des Antriebs

Driving force	2,0 kN / 5,0 kN	
Power connections	24 V AC/DC 100 - 240 V 50/60Hz	
Ambient temperature	Standard:	-10°C up to +60°C
	Low temperature version:	-40°C up to +60°C
Storage Temperature	Standard:	-30°C up to +80°C (+60°C with Fail-Safe protection)
	Low temperature version:	-40°C up to +80°C (+60°C with Fail-Safe protection)
Mounting position	choice horizontal or vertical actuator only	
Protection class (EN 60529)	IP 67	
Max. power consumption	40 Watt	
Stroking speed	2,0 kN-version:	0,75 s/mm up to 250 s/mm (standard 1,5 s/mm)
	5,0 kN-version:	2 s/mm up to 250 s/mm (standard 4 s/mm)
Stroking speed of the Fail-Safe protection	2,0 kN-version:	0,75 s/mm up to 4 s/mm
	5,0 kN-version:	2 s/mm up to 4 s/mm
Set point range	adjustable 0(4) - 20 mA, 0(2) - 10 V optional binary input signal (24V DC)	
Feed back	adjustable 0(4) - 20 mA, 0(2) - 10 V	
cycles (Fail-Safe)	500.000	
life-time (Fail-Safe)	10 years	
duty cycle	100%	
Self Monitoring	monitoring of the driving power, set point, actuator temperature, temperature of the electronic etc.	
Diagnostic function	storage of motor and total service life, temperature- and way classes	
Valve adaptation	automatic stroke adjustment to suit valve limits	
additional inputs	binary input	
additional outputs	2 alarm outputs	

Admissible Differential Pressures

driving force	seating seal Nominal size	pmax [bar]					
		PTFE		PEEK-7 (T<160°C)		PEEK-8 (T>160°C)	
		Control	On/Off	Control	On/Off	Control	On/Off
2kN	DN15	16	40	16	40	16	40
	DN20	16	40	16	40	16	40
	DN25	16	32	16	25	16	32
	DN32	16	23	13	13	16	21
	DN40	15,5	15,5	7	7	14	14
	DN80	3,6	3,6	-	-	2,8	2,8
5kN	DN32	-	-	16	34	16	34
	DN40	-	-	16	23	16	23
	DN80	10,5	10,5	6,7	6,7	10	10
2kN Pressure balanced version	DN65	16	25	2,1	2,1	16	20,5
	DN80	16	20	-	-	16	20
5kN Pressure balanced version	DN65	16	25	16	25	16	25
	DN80	16	20	16	20	16	20

Kvs-values (stroke)

DN	linear								equal percentage							
	15	20	25	32	40	50	65	80	15	20	25	32	40	50	65	80
100 %	3,2 (8,7)	5,8 (9,2)	10,8 (14,2)	16 (19,2)	22 (18,2)	34 (20,2)	43 (19,1)	60 (20,6)	3 (8,7)	5,4 (9,2)	10 (14,2)	15,5 (19,2)	20 (18,2)	-	38 (20,1)	50 (20,6)
63 %	-	3,5 (6,2)	-	10 (11,2)	13,2 (12,2)	20,1* (11,2)	27 (20,1)	-	-	3,3 (7,2)	-	9,3 (12,2)	12 (13,2)	-	19 (21,1)	-
40 %	1,3 (6,7)	2,3 (6,2)	4,3 (6,2)	6,4 (7,2)	8,8 (8,2)	13,4* (7,2)	-	-	1,3 (8,7)	2,2 (7,2)	4 (9,2)	6,2 (11,2)	8 (12,2)	-	-	-
25 %	0,8 (6,7)	-	2,7 (6,2)	-	-	-	-	-	0,75 (8,7)	-	2,7 (9,2)	-	-	-	-	-

*: control cone only available for reinforced design

Options

2 additional stroke limit switches	free adjustable volt free contacts (open/close)
Fail-Safe protection	Mounted in own body at actuator
	Safety position freely selectable
Communication software	with communication link, for parametrization and diagnosis of the actuator
Bluetoothmodul BT-1	Wireless connection to DeviceConfig configuration software (upgrade option)

Actuator with Fail-Safe protection (Option)

- Safety function at power failure
- Power supply via high performance capacitors
- Safety position open, closed or in every other position selectable
- Automatic monitoring of the charge condition of the capacitors

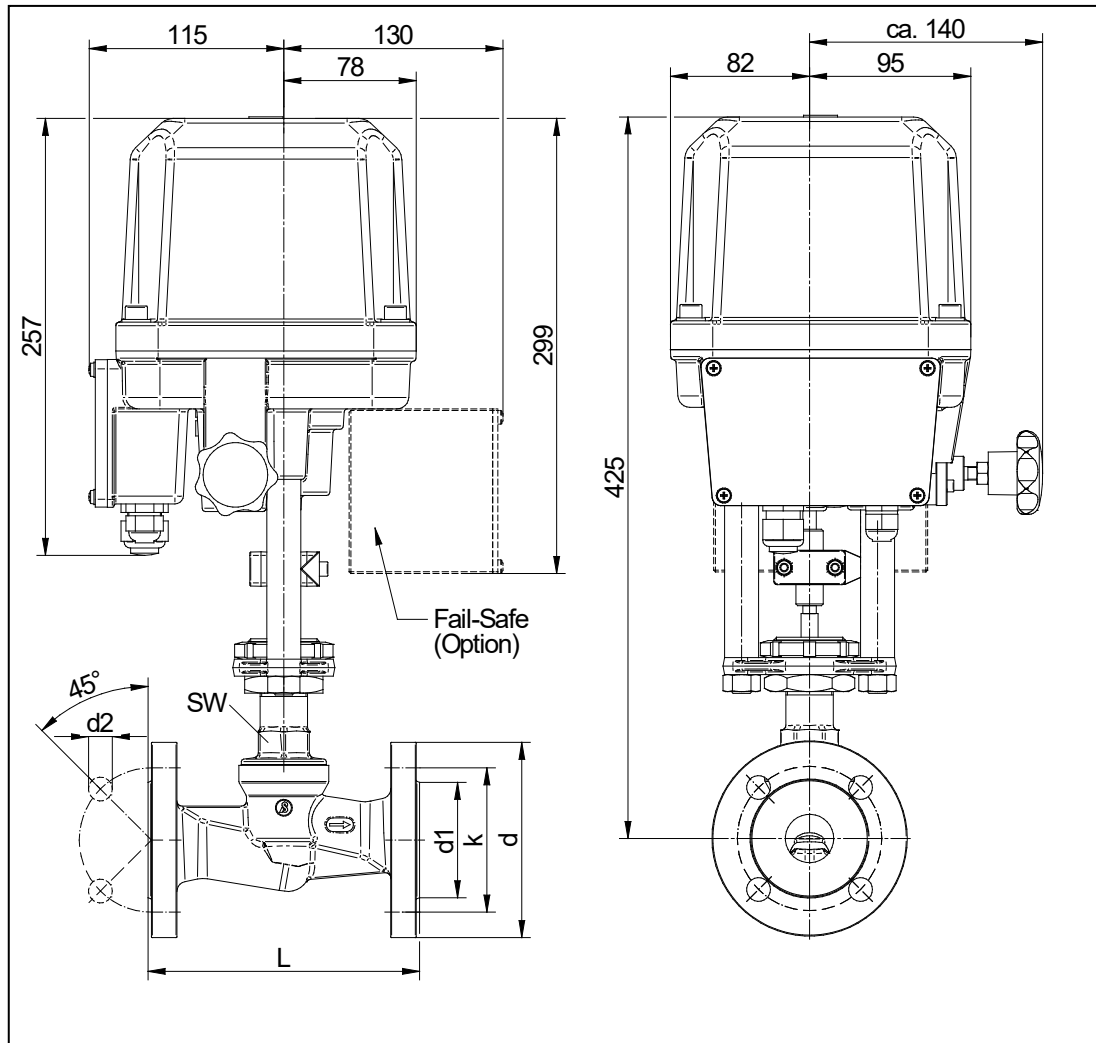


Ordering Number System

Article number																			
7332/																			
Nominal size:																			
DN 15	015																		
DN 20	020																		
DN 25	025																		
DN 32	032																		
DN 40	040																		
DN 50	050																		
DN 65	065																		
DN 80	080																		
Item:																			
Valve	V																		
Upper part	U																		
Actuator	A																		
Body design:																			
Flanged valve	9																		
Connection:																			
Flanges acc. DIN 2635	1																		
Body material:																			
Stainless steel	2																		
Seating seal:																			
PTFE	0																		
FKM (Viton)	1																		
EPDM	2																		
NBR	3																		
Actuator:																			
without actuator	0																		
2kN, position electronic, IP67 , activation: 4-20mA or 2-10V, feedback 4-20mA or 2-10V	1																		
Motor Voltage																			
100 - 240V, 50/60Hz	-																		
24V AC/DC	1																		
Control plug:																			
none	-																		
linear 100%	1																		
equal percentage 100%	2																		
linear 40%	3																		
equal percentage 40%	4																		
linear 25%	5																		
equal percentage 25%	6																		
Special versions:																			
See following positions																			S
Pressure balanced version																			P
Safety position																			
without safety position	-																		
Fail Safe Function: Safety position closed in the case of power failure	1																		
Fail Safe Function: Safety position opened in the case of power failure	2																		
Fail Safe Function: position in case of power failure according to customer specification	3																		
Stroking times																			
Standard (1,5s/mm=0,67mm/s)	-																		
0,75s/mm = 1,33mm/s	1																		
1s/mm = 1mm/s	2																		
2s/mm = 0,5mm/s	3																		
4s/mm = 0,25mm/s	4																		
20s/mm = 0,05mm/s	9																		

ordering example: 7332/025V9120A-1
 Flanged Valve with motor actuator DN 25, PN 10/40, DIN-Flange, Stainless Steel,
 linear actuator 2 kN, 100-240V 50/60 Hz, control cone 100% linear

Dimensions and Weights

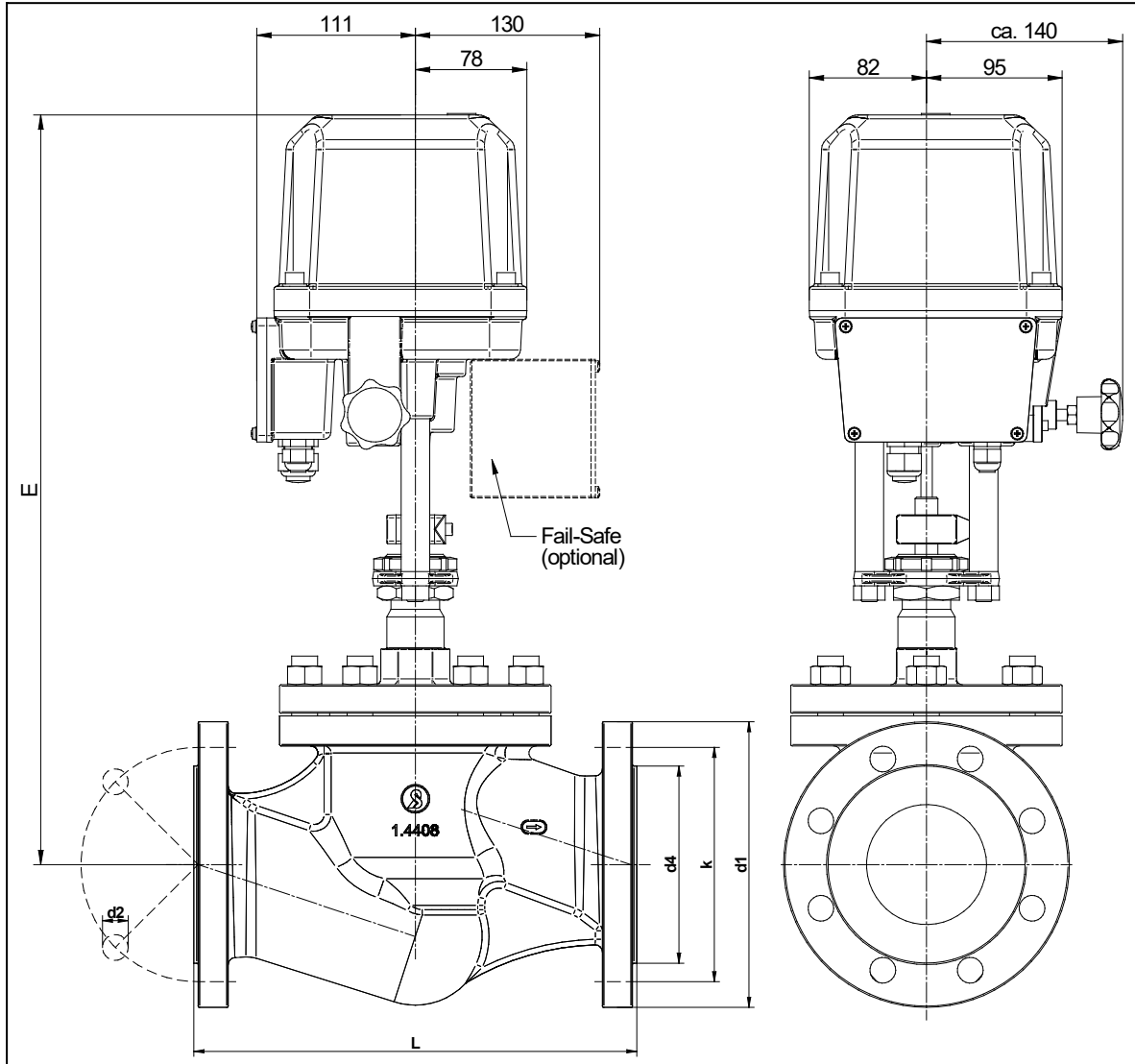


DN	flanges acc. DIN					flanges acc. ANSI					SW	E	weight kg	
	L	d	d1	d2	k	L	d	d1	d2	k			without Fail-Safe	with Fail-Safe
15	130	95	45	14	65	184	88,9	35,1	15,7	60,5	30	406	10,1	11,8
20	150	105	58	14	75	184	98,6	42,9	15,7	69,9	30	410	11	12,7
25	160	115	68	14	85	184	108	50,8	15,7	79,2	30	428	11,6	13,3
32	180	140	78	18	100	200	117,3	63,5	15,7	88,9	30	431	13,2	14,9
40	200	150	88	18	110	222	127	73,2	15,7	98,6	36	437	14,4	16,1
50	230	165	102	18	125	254	152,4	91,9	19,1	120,7	36	462	16,2	17,9

DN	weight with 2 kN-actuator kg		weight with 5 kN-actuator kg	
	without Fail-Safe	with Fail-Safe	without Fail-Safe	with Fail-Safe
15	10,1	11,8	11	12,7
20	11	12,7	11,9	13,6
25	11,6	13,3	12,5	14,2
32	13,2	14,9	14,1	15,8
40	14,4	16,1	15,3	17
50	16,2	17,9	17,1	18,8

dimensions in mm

Dimensions and Weights - Pressure balanced version



DN	Flange acc. DIN					E		Weight kg			
	L	d1	d2	d4	k			2kN		5kN	
						2kN	5kN	without Fail-Safe	with Fail-Safe	without Fail-Safe	with Fail-Safe
65	290	185	18	122	145	410	430	27	28,7	27,9	29,6
80	310	200	18	122	160	495	515	33	34,7	33,9	35,6