

# Flanged Motor Valve compact 7232

## DN 15 up to DN 80

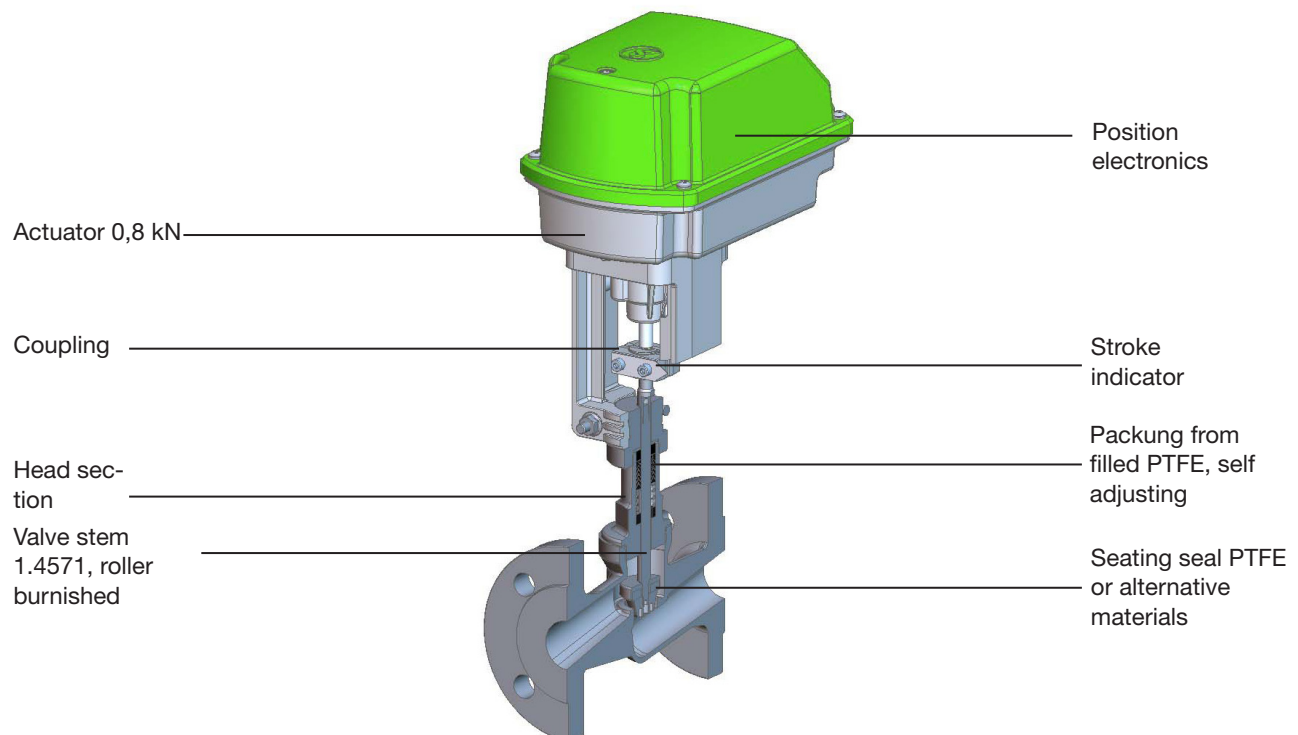
**Motor valve for on/off- and modulating operation for neutral and aggressive media.**

- Compact design
- Self adaption
- Unaffected by lightly contaminated media
- For temperatures from -100 °C up to +220 °C
- Working pressure up to 40 bar
- Versatile actuator options
- Actuators with control function also available with safety function



### Technical Information Valve

Body materials	Stainless steel 1.4408
Nominal sizes	DN 15 up to DN 80
Connection	Flanges acc. DIN 2635
Dimension	acc. DIN EN558-1 Row 1
Nominal pressure	PN 40
Max. fluid temperature	-100 °C up to +200 °C
Viscosity	max. 600 mm <sup>2</sup> /s (600 cSt)
Vacuum	max. 0,001 bar, abs.
Operating pressure packing underneath	max. 12 bar
Packing leakage	tested according to TA-Luft as defined in DIN EN ISO 15848-1 and VDI 2440



## Technical Information CA-Actuator

Function	Control				On/Off	
Motor type	CA24C	CA260C	CA24C-R	CA260C-R	CA24	CA260
Mains connection	24 V AC/DC	100-240 V AC	24 V AC/DC	100-240 V AC	24 V AC/DC	100-240 V AC
Set point range	(0)2-10 V / (0)4-20 mA				3-point**	
Mains frequency	50/60 Hz				50/60 Hz	
Feedback	(0)2-10 V / (0)4-20 mA				optional	
Dead band	±0.6 % of the entire stroke				-	
Repeatability	±0.3 % of the entire stroke				-	
Limit switch	2				optional	
Potentiometer feedback	-				optional	
Max. switching capacity	24 V AC/DC 200 mA				250 V AC/DC 1 A	
Actuating speed	1.5 / 2 / 3 s/mm (Standard: 2 s/mm)				2 or 3 s/mm (Standard: 3 s/mm)	
Safety functions	Monitoring of tensile force, set point, temperature of the electronics, etc.				Tensile force monitoring	
Diagnostic functions	Storage of motor and total operating time, temperature and directional classes, etc.				-	
Fail Safe position	-	-	freely adjustable		-	
Load	500 Ω for current set point / 95 kΩ for voltage set point				-	
Max. power consumption	13 W	12 W	13 W	12 W	13 W	12 W
Input heating resistor	10 W					
Starting current	6 A	2,5 A	6 A	2,5 A	6 A	2,5 A
Actuating power	800 N					
Protection class (EN 60529)	IP 65***					
Adm. Ambient temperature	-10 °C to +60 °C					
Duty cycle	Storage of motor and total operating time, temperature and directional classes, etc.					

\*: for control with volt-signal split range adjustments are possible

\*\*: Minimum on-time 200 ms

\*\*\* Dustproof, protection against water jets from any angle

Wiring diagrams of the actuators can be found in the manual.

## Kvs-Values (stroke)

Characteristic	linear								equal percentage							
	15	20	25	32	40	50	65	80	15	20	25	32	40	50	65	80
100 %	3,2 (8,7)	5,8 (9,2)	10,8 (14,2)	16 (19,2)	22 (18,2)	34 (20,2)	43 (18,5)	60 (20)	3 (8,7)	5,4 (9,2)	10 (14,2)	15,5 (19,2)	20 (18,2)	-	38 (20)	50 (20)
63 %	-	3,5 (6,2)	-	10 (11,2)	13,2 (12,2)	20,1 (11,2)	13,2 (20)	-	-	3,3 (7,2)	-	9,3 (12,2)	12 (13,2)	-	24 (20)	
40 %	1,3 (6,7)	2,3 (6,2)	4,3 (6,2)	6,4 (7,2)	8,8 (8,2)	13,4 (7,2)			1,3 (8,7)	2,2 (7,2)	4 (9,2)	6,2 (11,2)	8 (12,2)	-		
25 %	0,8 (6,7)	-	2,7 (6,2)	-	-	-			0,75 (8,7)	-	2,7 (9,2)	-	-	-		
On-Off	3,4 (8,7)	6,5 (9,2)	11 (14,2)	17 (19,2)	48 (20)	66 (20)	48 (20)	66 (20)								

## Admissible Differential Pressures

For seating seal made of PTFE or other soft gaskets

Nominal size	p max (bar)											
	DN15		DN20		DN25		DN32		DN40		DN50	
	On/off	Control	On/off	Control	On/off	Control	On/off	Control	On/off	Control	On/off	Control
Stainless steel body	40	16	20	16	12	12	7	7	4,8	4,8	2,8	2,8
Body stainless steel pressure balanced	-	-	-	-	-	-	-	-	-	-	-	-

Nominal size	p max [bar]			
	DN65		DN80	
	On/off	Control	On/off	Control
Stainless steel body	1,2	1,2	0,7	0,7
Body stainless steel pressure balanced	5,8	5,8	11	11

For seating seal made of PEEK

Nominal size	p max (bar)											
	DN15		DN20		DN25		DN32		DN40		DN50	
	On/off	Control	On/off	Control	On/off	Control	On/off	Control	On/off	Control	On/off	Control
Stainless steel body	40	16	18,5	16	9,9	9,9	5,3	5,3	3,1	3,1	1,5	1,5
Body stainless steel pressure balanced	-	-	-	-	-	-	-	-	-	-	-	-

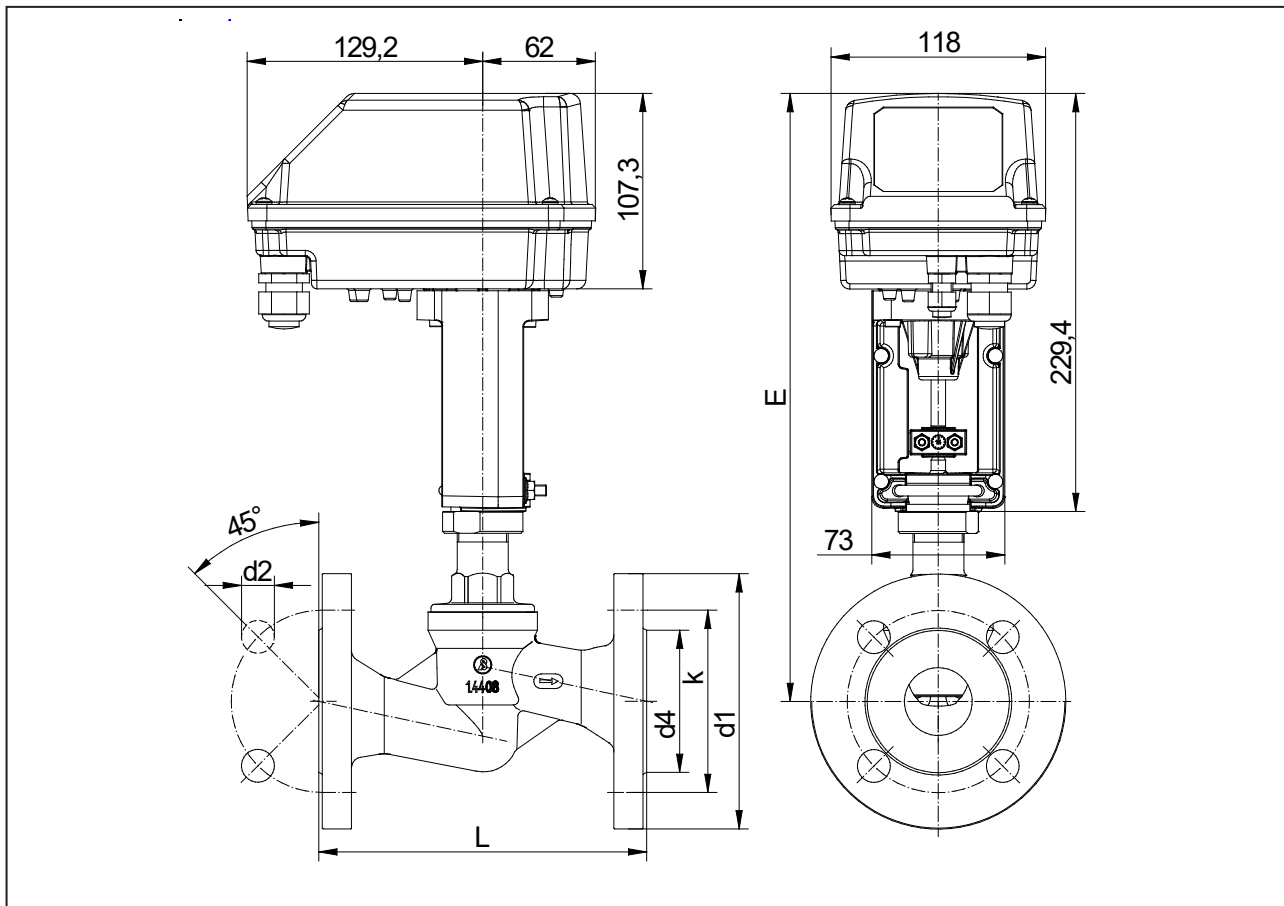
Nominal size	p max [bar]			
	DN65		DN80	
	On/off	Control	On/off	Control
Stainless steel body	0,2	0,2	-	-
Body stainless steel pressure balanced	1,2	1,2	-	-

## Ordering Number System

Article number													
7232/					K							S	
Nominal size:													
DN 15	015												
DN 20	020												
DN 25	025												
DN 32	032												
DN 40	040												
DN 50	050												
DN 65	065												
DN 80	080												
Item:													
Valve	V												
Upper part	U												
Actuator	A												
Body design:													
Flanged valve					9								
Connection:													
Flanges acc. DIN 2635						1							
Body material:													
Stainless steel							2						
Seating seal:													
PTFE								0					
FKM (Viton)									1				
EPDM										2			
NBR											3		
PEEK for applications above 160°C [320°F]												8	
Actuator:													
Control actuator CA24C, 24 V AC/DC, with position electronic, stanard adjustment: control signal 4-20 mA, feedback 4-20 mA, 2 limit switch												C	
Control Actuator CA260C, 100-240 V 50/60 Hz, with position electronic, Standard adjustment 4-20 mA, feedback 4-20 mA, 2 limit switch													D
On-Of (3-point) actuator CA24, 24 V AC/DC													E
On-Off (3-point) actuator CA260, 100-240 V, 50/60 Hz													F
Control plug:													
none													-
linear 100 %													1
equal percentage 100 %													2
linear 40 %													3
equal percentage 40 %													4
linear 25 %													5
equal percentage 25 %													6
Safety position:													
without safety position													-
Fail-Safe: normally closed at power failure													2
Fail-Safe: normaly open at power failure													3
Stroking times													
Standard (2 s/mm for control actuators - 3 s/mm for on-off-actuators)													-
3 s/mm													4
1,5 s/mm													5

Ordering example: 7232/025VK91202C  
 Flanged compact motor valve type 7232, DN 25, flanges acc. DIN 2635, stainless steel body, seating seal PTFE, control actuator CA24C, 24 V AC/DC, 0,8 kN, control electronics 4-20 mA, position feedback 2-10 V, linear characteristic, Kvs-value 14 (100 %).

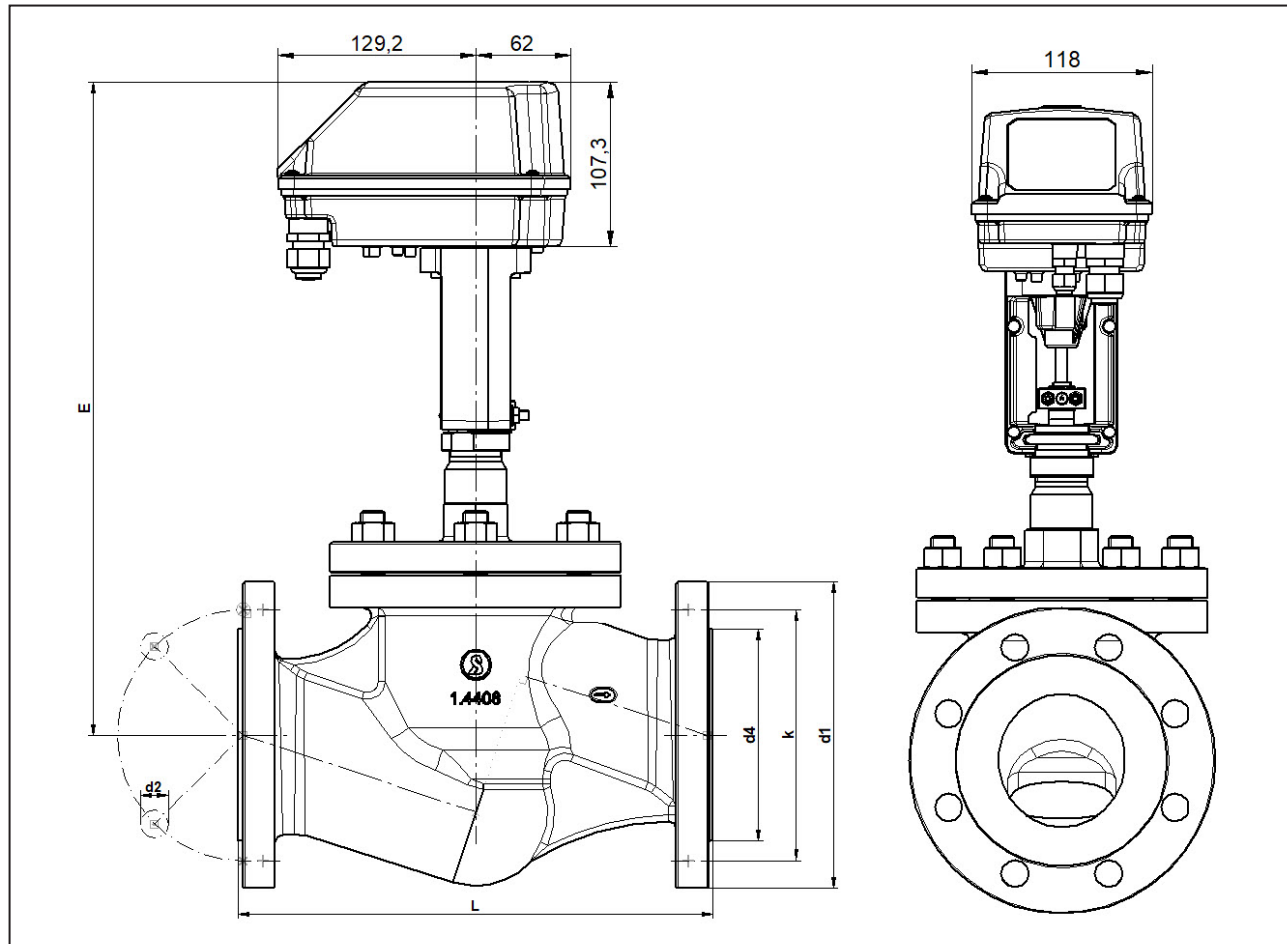
## Dimensions and Weights for CA-actuators



DN	L	d1	d2	d4	k	E	Stroke	Weight kg
15	130	95	14	45	60,5	309	9	3,4
20	150	105	14	58	69,9	313	14	4,3
25	160	115	14	68	79,2	330	18	4,9
32	180	140	18	78	88,9	334	21	6,5
40	200	150	18	88	98,6	340	22	7,7
50	230	165	18	102	120,7	364	22	9,5

Dimensions in mm

## Dimensions and weights for actuator 2032



DN	L	d1	d2	d4	k	E	stroke	weight kg
65	290	185	18	122	145	430	20	30
80	310	200	18	122	160	445	20	36

Dimensions in mm