

# Pinch Control Valve 7079

## DN 15 up to DN 50



**New generation of pinch control valves with revised inner tube for demanding applications or food fluids.**

- Compact design with rotatable actuator
- Unaffected by contaminated, granulated, viscous, doughy and aggressive media
- Usable for sanitary and aseptic applications because of hygienic sealing
- All components in contact with the fluid made of 1.4435
- Integrated positioner
  - pneumatic
  - electropneumatic
  - digital



### Technical Information

Nominal Sizes	DN 15 up to DN 50
Connections	Pipe threads nach ISO 228-1 G 1/2" up to G 2", NPT-treats Inner sticking socket PVC Welding ends acc. to DIN or ISO Tri-Clamp-connector (inch)
Body material	Stainless steel 1.4408, no contact with the fluid
Material in contact with the fluid	Stainless steel 1.4435 (except cement socket PVC)
Nominal pressure	PN 6
Operating pressure	0 - 6 bar
Media	Liquids, gases, suspensions, granulate or limestone
Fluid Temperature	Tube material NBR (FDA): -20°C up to +80°C (short-duration, steam +130°C*)
	Tube material FKM: -10°C up to +130°C
	Tube material EPDM (FDA): -30°C up to +95°C (short-duration, steam +130°C*)
	Tube material Silikon: -40°C up to +160°C
	Tube material SBR: -30°C up to +80°C
Ambient temperature	-15°C up to +60°C

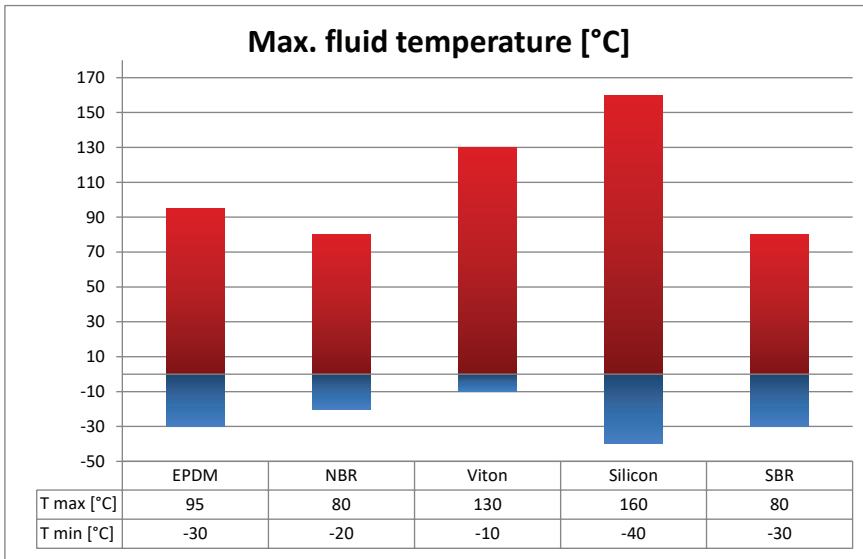
\*short-duration rise of temperature only when the valve is fully open

### Positioner

For technical data of the positioner please see the corresponding datasheets.



## Selection of tube quality



## Resistance\*

	EPDM	NBR	VITON	Silicon	SBR
Wastewater	A	A	A	A	A
Ammonia (liquid)	A	B	C	C	B
Ammonia (gaseous)	A	B	C	C	B
Malic acid	B	A	A	B	B
Brake fluid	A	C	C	C	B
Benzine	C	B	A	C	B
Beer	A	A	A	A	C
Bleach liquor	A	C	A	C	C
Butter	B	A	A	B	C
Buttermilk	B	C	A	A	C
Chlorine	B	C	A	C	C
Saturated steam	A	C	B	B	C
Diesel	C	A	A	C	C
Peanut oil	C	A	A	A	C
Vinegar	A	B	B	A	C
Greases (from animals/plants)	C	A	A	B	C
Fatty acids	C	B	A	B	C
Fish oil	B	A	A	A	C
Fruit juices	A	A	A	A	C
Milk of lime	B	B	B	C	A
Cocoa butter	C	C	A	C	C
Carbonic acid	A	A	A	B	C
Coconut oil	C	A	A	A	C
Air with solid particles	B	B	C	C	A
Corn oil	C	A	A	B	C
Margarine	C	A	A	B	C
Caustic soda	A	B	B	B	C
Nut oil	C	A	A	A	C
Rapeseed oil	A	B	A	C	C
Water with solid particles	B	B	C	C	A
Detergent	A	A	A	A	C
Citric acid	A	A	A	A	C

\*In the case of information on resistance, this is only a recommendation, errors and omissions excepted (no liability accepted)

A: suitable / resistant

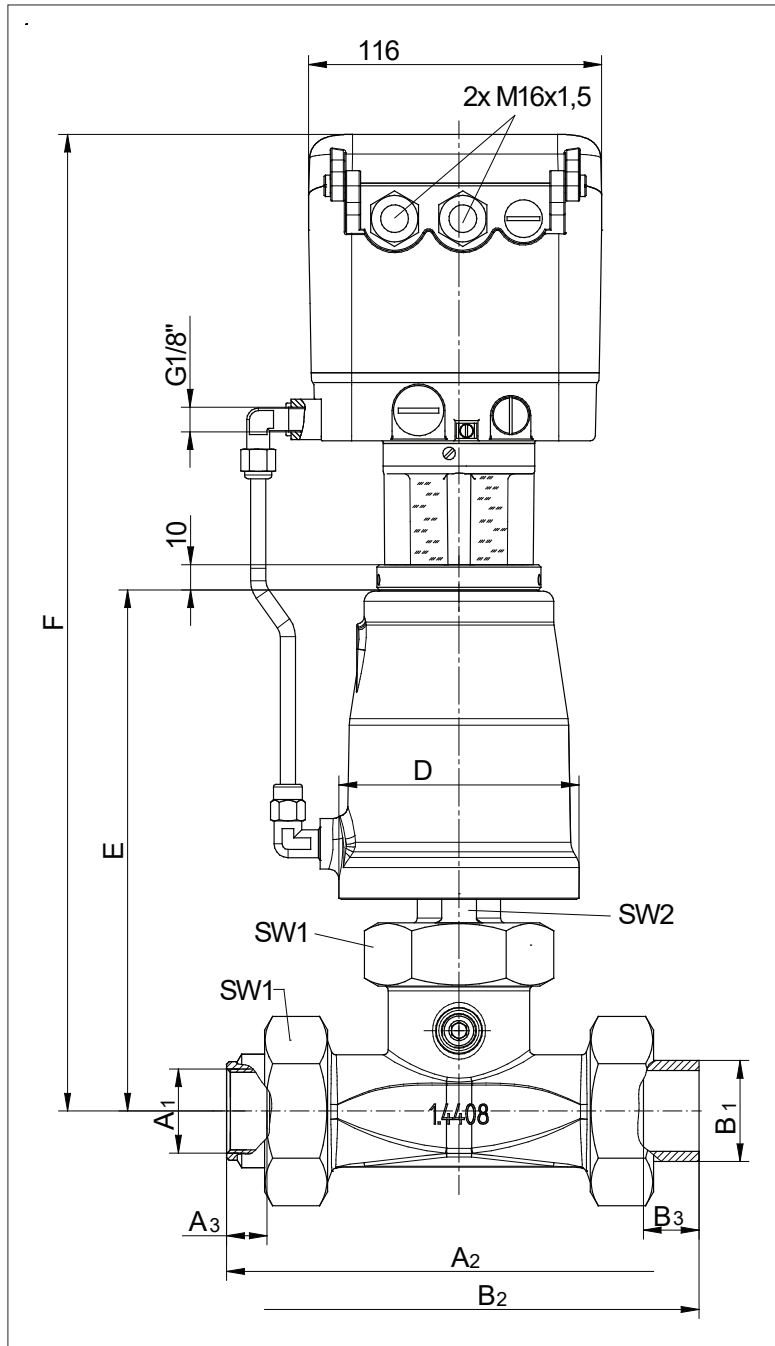
B: conditionally suitable

C: not suitable

## Approvals

	EPDM	NBR	Viton	Silicon	SBR
FDA	x	x		x	
BFR	x	x		x	
EG 1935/2004/CE	x			x	
USP cl. VI				x	
EN ISO 3861					x

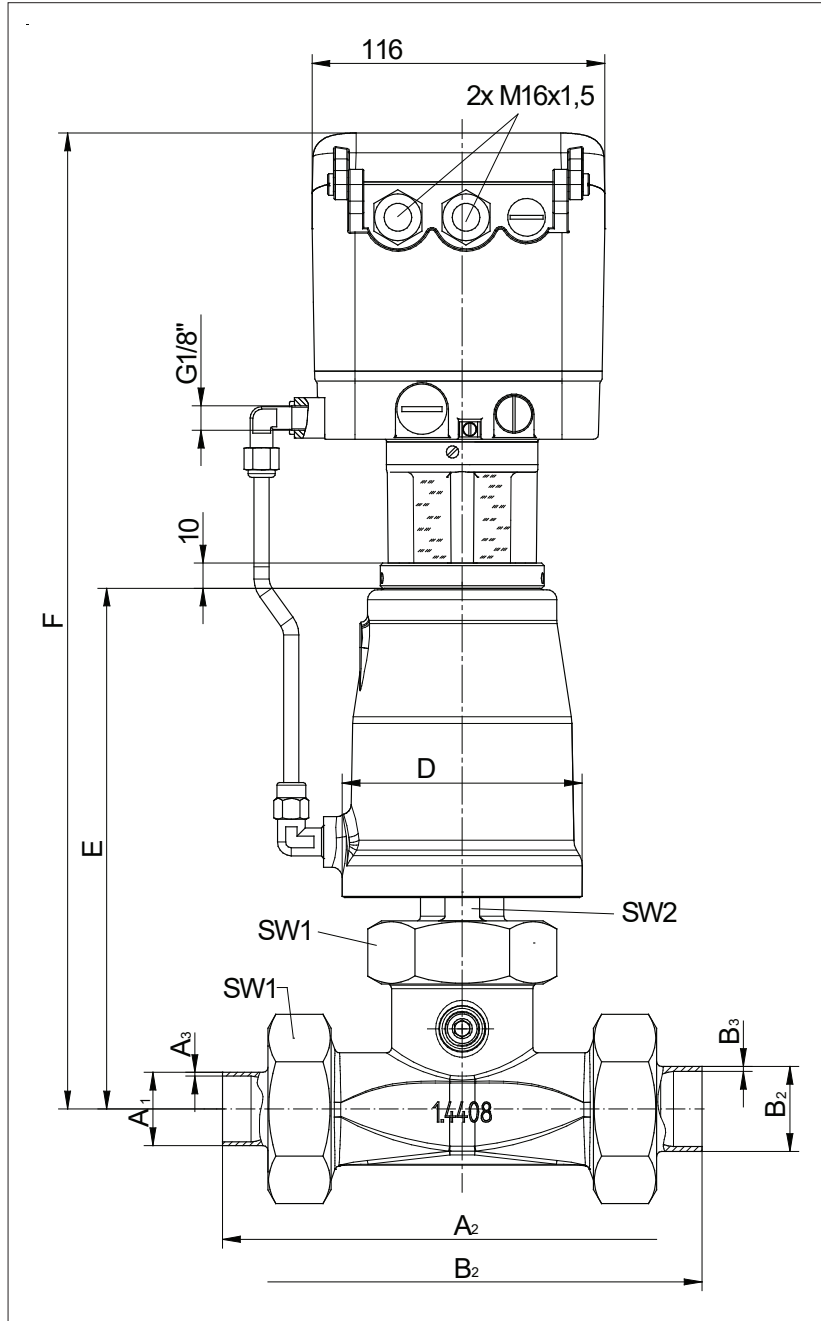
## Dimensions and Weights with threaded connection or inner sticking sockets



DN	Piston	Whitworth pipe thread			NPT-thread			Inner sticking socket PVC			D	E	F	G	I	SW1	SW2	Stroke	Kvs-Value	Weight kg
		A1	A2	A3	A1	A2	A3	B1	B2	B3										
15	80	Rp 1/2"	130	13	NPT 1/2"	132	14,5	20	130	16	98	183	359	G1/4"	90	46	27	16	12,5	5,1
20	80	Rp 3/4"	132	13	NPT 3/4"	132	15	25	136	19	98	183	359	G1/4"	90	46	27	16	12,5	5,4
25	80	Rp 1"	184	16	NPT 1"	182	17,9	32	190	22	98	215	391	G1/4"	90	65	30	22	24	6,4
32	80	Rp 1 1/4"	190	16	NPT 1 1/4"	194	19	40	200	26	98	215	391	G1/4"	90	65	30	22	24	6,4
40	80	Rp 1 1/2"	246	20	NPT 1 1/2"	246	18,4	50	256	31	98	240	416	G1/4"	90	88	30	25	84	9,3
40	125	Rp 1 1/2"	246	20	NPT 1 1/2"	246	18,4	50	256	31	146	263	440	G1/4"	105	88	30	25	84	11,4
50	80	Rp 2"	246	22	NPT 2"	246	18,8	63	272	38	98	240	416	G1/4"	90	88	30	25	84	9,6
50	125	Rp 2"	246	22	NPT 2"	246	18,8	63	272	38	146	263	440	G1/4"	105	88	30	25	84	11,7

Dimensions in mm

## Dimensions and Weights with welding ends



Text and pictures are not binding. We reserve the right, to alter the equipment.

DN	Piston	Welding ends acc. to DIN			Welding ends acc. to ISO			D	E	F	G	I	SW1	SW2	Stroke	Kvs-value	Weight [kg]
		A1	A2	A3	B1	B2	B3										
15	80	19	130	1,5	21,3	130	1,6	98	183	359	G1/4"	90	46	27	16	12,5	5,1
20	80	23	130	1,5	26,9	130	1,6	98	183	359	G1/4"	90	46	27	16		5,4
25	80	29	190	1,5	33,7	190	2	98	215	391	G1/4"	90	65	30	22	24	6,4
32	80	32	190	1,5	42,4	190	2	98	215	391	G1/4"	90	65	30	22		6,4
40	80	41	250	1,5	48,3	250	2	98	240	416	G1/4"	90	88	30	25	84	9,3
40	125	41	250	1,5	48,3	250	2	146	263	440	G1/4"	105	88	30	25		11,4
50	80	53	250	1,5	60,3	250	2	98	240	416	G1/4"	90	88	30	25		9,6
50	125	53	250	1,5	60,3	250	2	146	263	440	G1/4"	105	88	30	25		11,7