

Pinch Control Valve for endless tube 7077 with integrated positioner DN 6 up to DN 14

SCHUBERT & SALZER
**CONTROL
SYSTEMS**

Pneumatically operated control valves for applications in chemistry, food industry and pharmaceuticals.

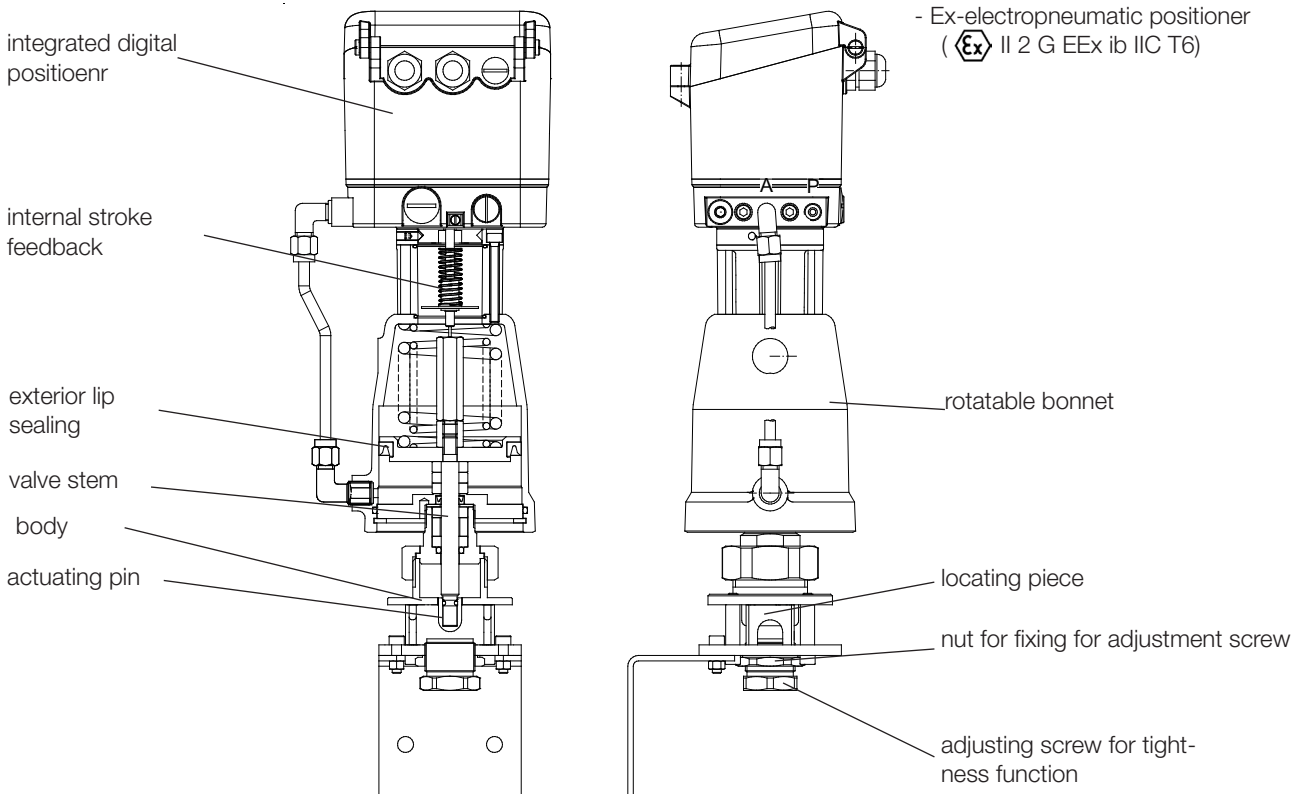
- Integrated positioner
- Fast and simple change of tube
- Cavity free can be sterilized using steam or hot gas
- No fluid contact to the valve
- working pressure up to 4 bar



Options:

e.g.:

- Optical position indicator
- External I/P-converter
Type 8045
- Ex-electropneumatic positioner
(Ex II 2 G EEx ib IIC T6)



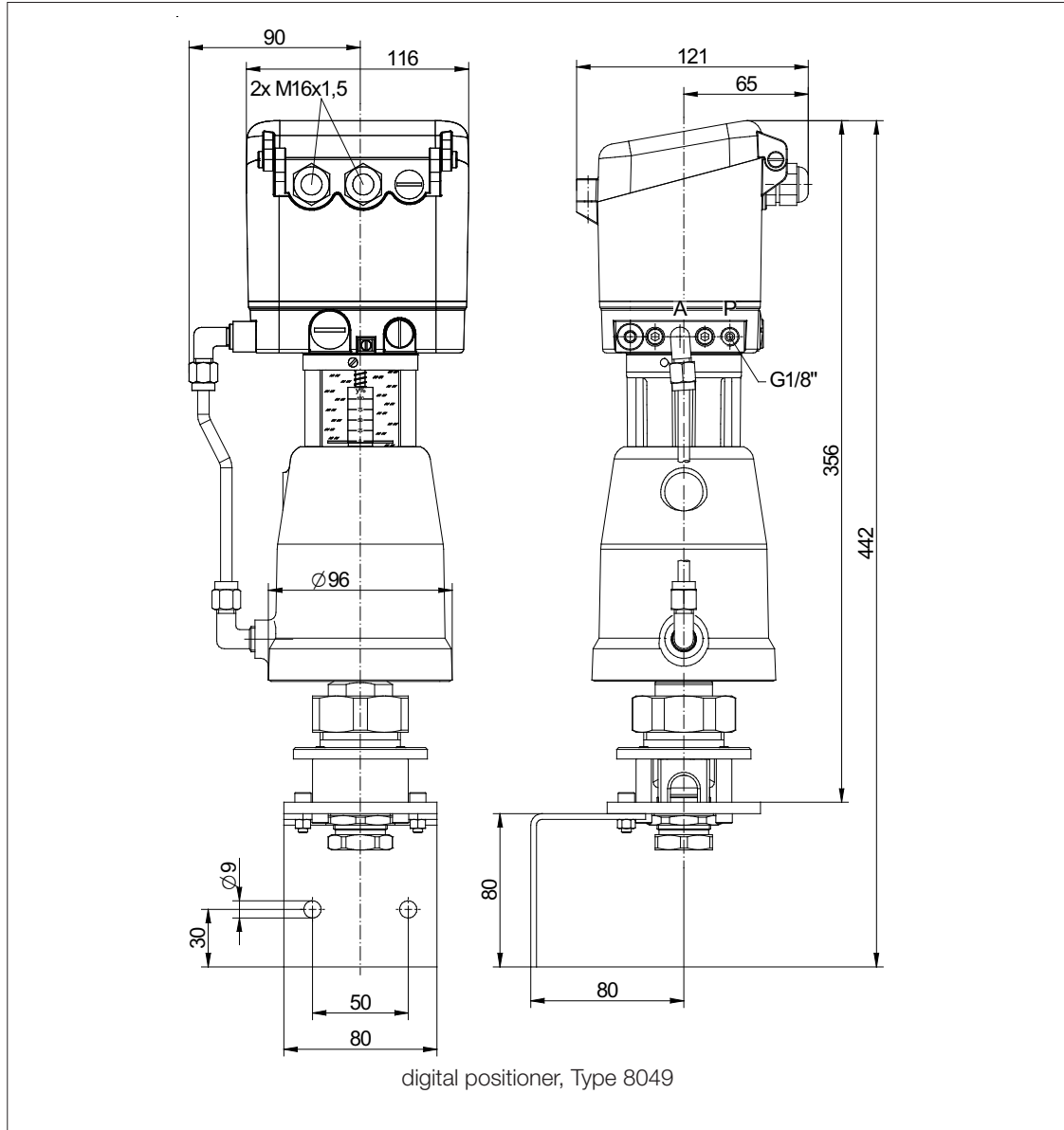
Positioner

For technical information of our positioners please refer to the corresponding data sheets.

Pinch Control Valve for endless tubes 7077

with integrated positioner

Dimensions and Weights



Weight: 4,7 kg