

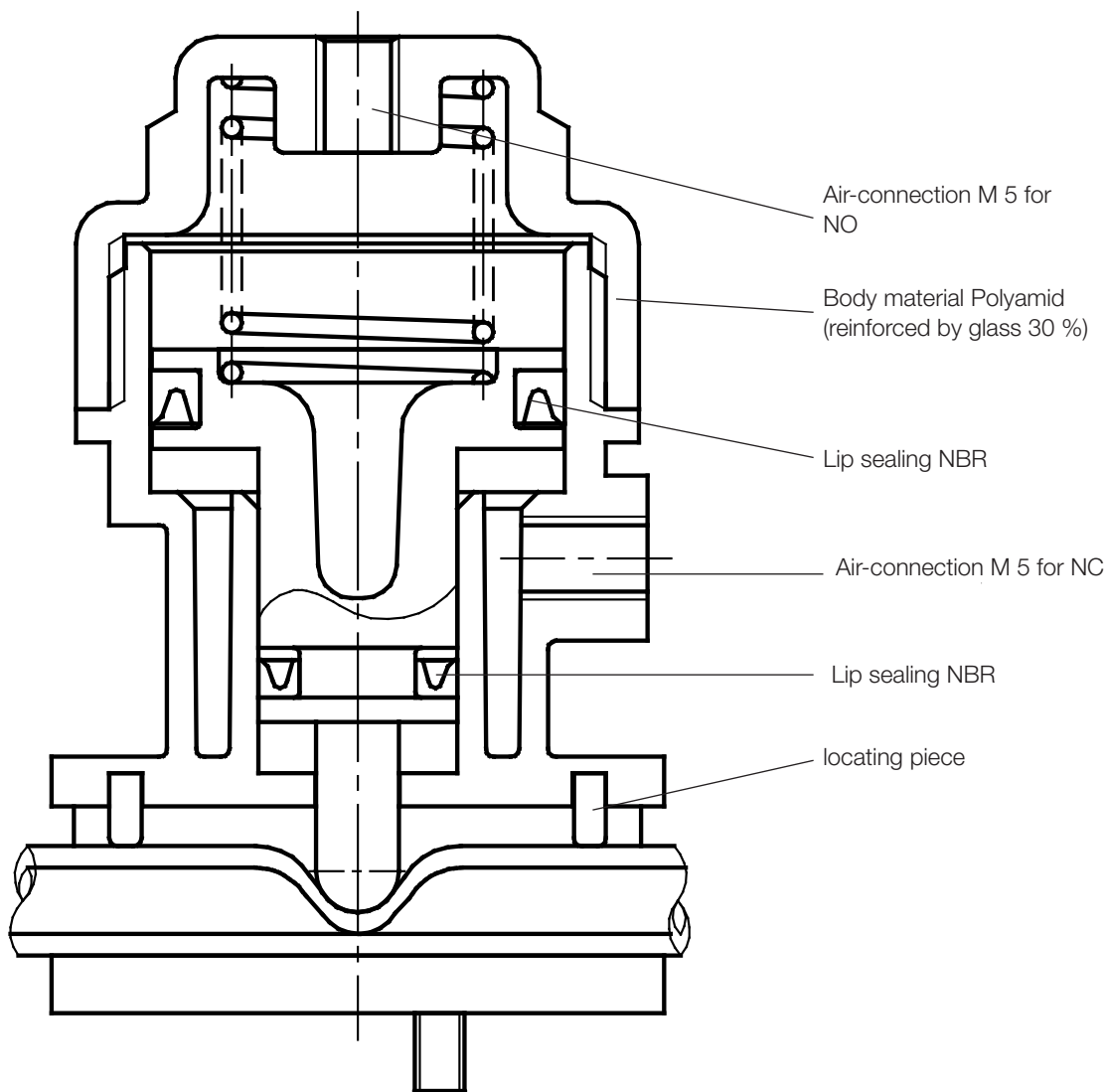
Mini Pinch Valve 7071

DN 2 up to DN 6

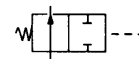
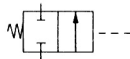


Valve for special applications in chemistry, analysis and medical technology.

- Fast and simple change of tube
- No fluid contact to the valve
- Pneumatic actuator
- Reverse of function possible

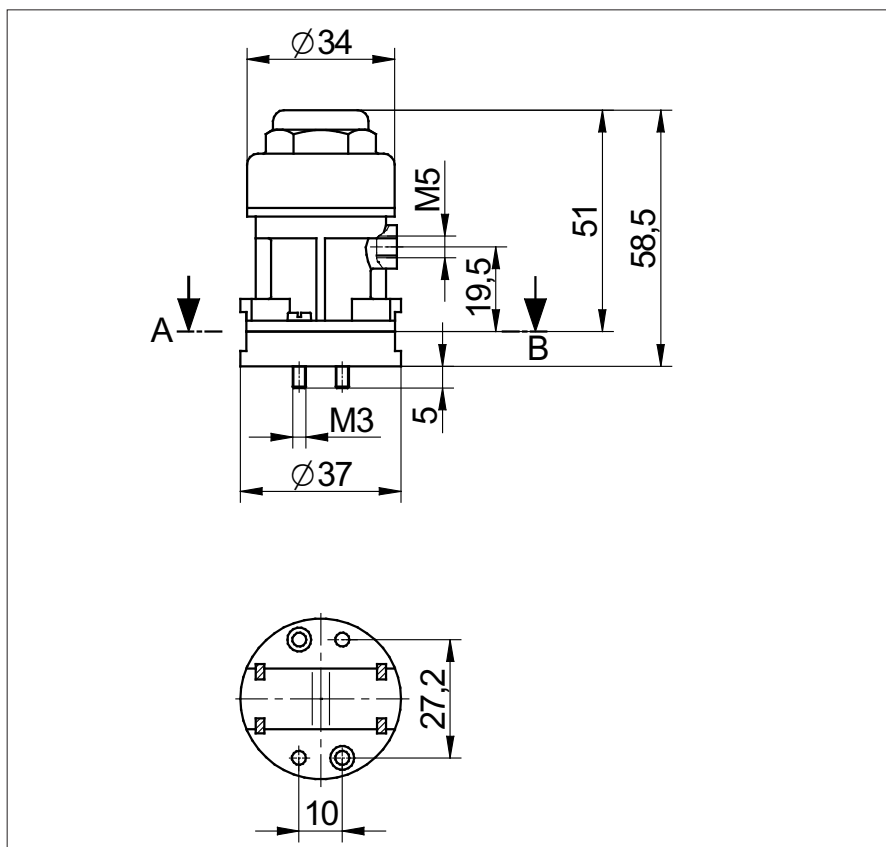


Technical Information



	Version normally closed			Version normally open		
	Tube orifice size	2	4	6	2	4
Tube outside diameter (mm)	4	6	9	4	6	9
Working pressure (bar) Tube quality < 55 Shore	0 - 2	0 - 1,5	0 - 1	0-5 bar according to the quality of the tube 50-70 Shore and the pilot pressure 1-6 bar		
Pilot pressure (bar)	1	1	1	1 - 6	1 - 6	1 - 6
Max. pilot pressure (bar)	6	6	6	6	6	6
Thread of pilot connection	M5	M5	M5	M5	M5	M5
Actuator	pneumatical piston Ø 25 mm			pneumatical piston Ø 25 mm		
Fluid temperature	-30°C up to +100°C			-30°C up to +100°C		
Ambient temperature	-30°C up to +60°C			-30°C up to +60°C		
Switching time (sec.)	for opening	0,05	0,05	0,05	0,1	0,1
	for closing	0,2	0,2	0,2	0,1	0,1
Viscosity of working medium (according to the orifice size)	12 up to 20°E			12 up to 20°E		
	(90 up to 150 cSt)			(90 up to 150 cSt)		
Weight (g)	65			65		
Ordering Numbers (each valve includes DN 2, DN 4 and DN 6)	4 005 038			4 005 035		

Dimensions



Text and pictures are not binding. We reserve the right, to alter the equipment.