

Stop Valve 8041

GS 1 series, DN 15 up to DN 125

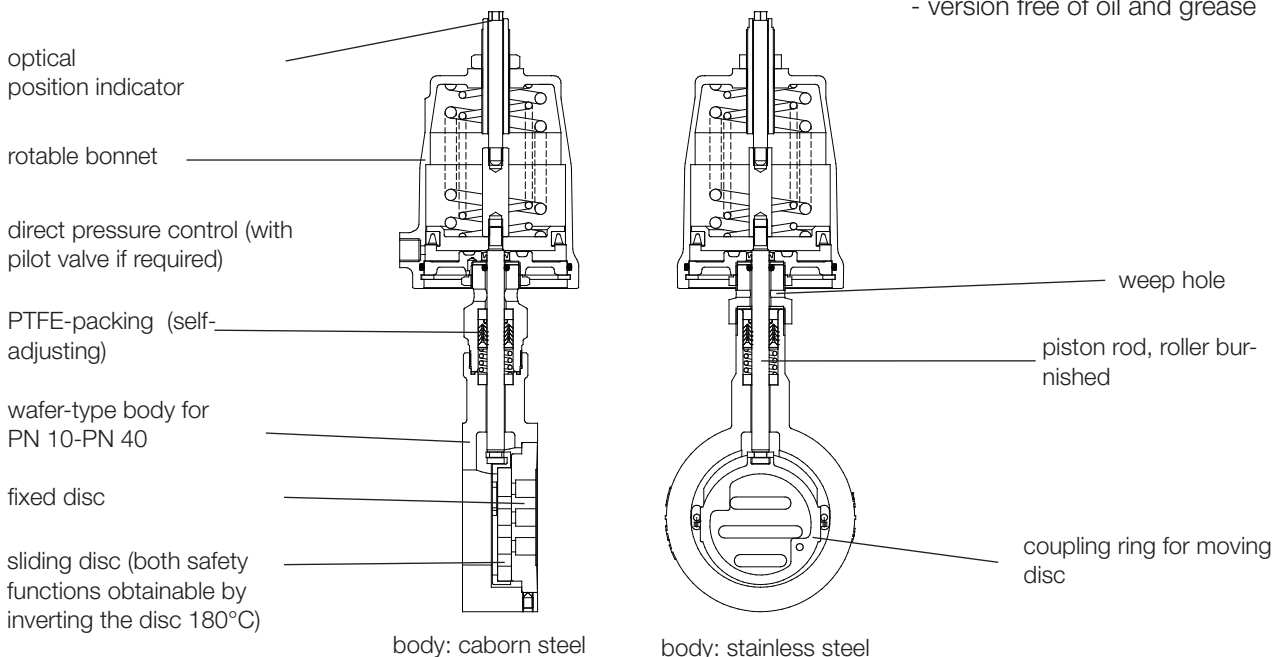
Pneumatic piston operated stop valve for switching of neutral through to highly aggressive media in process engineering, chemical industry and for plant equipment.

- Space saving wafer-type construction
- Lowest possible weight (especially in larger sizes)
- Low operation noise level
- Control of high differential pressures with small actuators
- Greatly reduced energy consumption rates due to short strokes and low actuating force
- High Kvs-values

Technical Information

Body design	flangeless, wafer-type construction dimensions acc. DIN EN 558-1 series 20 for flanges acc. DIN EN 1092-1 form B		
Nominal sizes	DN 15 up to DN 125		
Nominal pressure	PN 40 according DIN 2401 also for flanges PN 10 to PN 25		
Media temperature with metall bonnet	body carbonsteel	-10°C up to +230°C	
	body stainless steel	-20°C up to +230°C optional -60°C up to +230°C	
Ambient temperature	body carbonsteel	-10°C up to +100°C	
	body stainless steel	-20°C up to +100°C	
Pilot pressure	maximum 10 bar (higher on demand)		
Leakage (% of Kvs)	disc pair carbon-stainless steel < 0,0001	disc pair SFC < 0,0005	disc pair STN 2 < 0,001
IEC 60534-4 EN 12266-1	IV-S1 D	IV-S1 E	IV E

Kvs-values see data sheet 8001.



Packing tested according to TA-Luft as defined in DIN EN ISO 15848-1 and VDI 2440

Options:

- electrical position indicator
 - inductive switches
 - contact switches
 - manual operation
- pilot valve
 - 230 V AC
 - 24 V DC
- AS-I control head
- complete stainless steel version
- version free of oil and grease

Admissible Differential Pressure (For temperatures of up to 120°C)

**For temperatures of 120°C and above:
obey application limits !**

		Disc pair carbon/SFC-stainless steel	
DN	actuator	max. working pressure (bar)	required pilot pressure (bar)
15	50	33	3,8
20	50	28	3,8
25	50	24	3,8
32	50	19	3,9
40	50	15	4,2
50	50	9	4,8
65	50	8	5
80	50	5	5,3
100	50	3	5,5
125	50	2	5,6
15	80	40	3,1
20	80	40	3,1
25	80	40	3,1
32	80	40	3,2
40	80	40	3,6
50	80	26	4,1
65	80	22	4,3
80	80	14	4,5
100	80	9	4,7
125	80	6	4,8
15	125	40	1,8
20	125	40	1,8
25	125	40	1,8
32	125	40	1,8
40	125	40	2,1
50	125	38	2,4
65	125	32	2,5
80	125	20	2,6
100	125	13	2,7
125	125	8,5	2,8

		STN2-disc pair	
DN	actuator	max. working pressure (bar)	required pilot pressure (bar)
15	50	23	3,8
20	50	18	4
25	50	13	4,4
32	50	10	4,7
40	50	6,5	4,9
50	50	4	5,4
65	50	3	5,4
80	50	2	5,5
100	50	1	5,6
125	50	--	--
15	80	40	3,1
20	80	40	3,3
25	80	36	3,7
32	80	27	4
40	80	18	4,3
50	80	11	4,6
65	80	9	4,7
80	80	5	4,8
100	80	3	4,9
125	80	2	4,9
15	125	40	1,8
20	125	40	1,9
25	125	40	2,1
32	125	39	2,3
40	125	27	2,5
50	125	16	2,7
65	125	13	2,7
80	125	8	2,8
100	125	5	2,8
125	125	3	2,8

Special versions for very low pilot pressures or higher working pressures on request.

Applications limits for GS1-Valves

PN 40

DN	Couple glissières: carbone/SFC - inox Pression max en bar pour vannes GS1				Couple glissières: STN 2 Pression max en bar pour vannes GS3 en inox			
	100°C	150°C	200°C	230°C	100°C	150°C	200°C	230°C
15 - 25	40	36	31	30	40	36	31	30
32	40	36	31	30	40	36	31	24
40	40	36	31	30	26	25	24	15
50	40	36	31	30	40	36	31	26
65	40	36	31	30	37	35	31	21
80	40	36	31	30	22	20	19	12
100	24	23	22	20	13	12	12	7
125	16	15	14	13	8	8	7	4
150	16	16	16	16	10	10	9	6

Materials

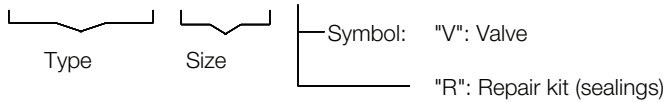
Body	carbon steel 1.0619	stainless steel 1.4581
Tube for packing intermediate piece	stainless steel 1.4571/1.4581	
Bonnet	brass, chrome coated (actuator Ø50 mm, Ø80 mm) aluminium anodised (actuator Ø125 mm)	
Actuating springs	stainless steel 1.4310 (actuator Ø50 mm, Ø80 mm), spring steel wire C, zinc coated (actuator Ø125 mm)	
Packing	PTFE carbon filled, spring 1.4310	
Piston rod	stainless steel 1.4571, roller burnished	
Bellows	stainless steel 1.4571	
Fixed disc	stainless steel 1.4571, coated	STN2-disc
Moving disc	standard: special carbon material	SFC-disc STN2-disc
Coupling ring for disc	stainless steel 1.4581	

Ordering Number System

1 2 3 4 5 6 7 8 9 10 11 12 13 14 15 16

8	0	4	1	/			V	A				M				Z			S
---	---	---	---	---	--	--	---	---	--	--	--	---	--	--	--	---	--	--	---

1 - 5 : Please quote all 5 sections
6 - 12: Quote only if required

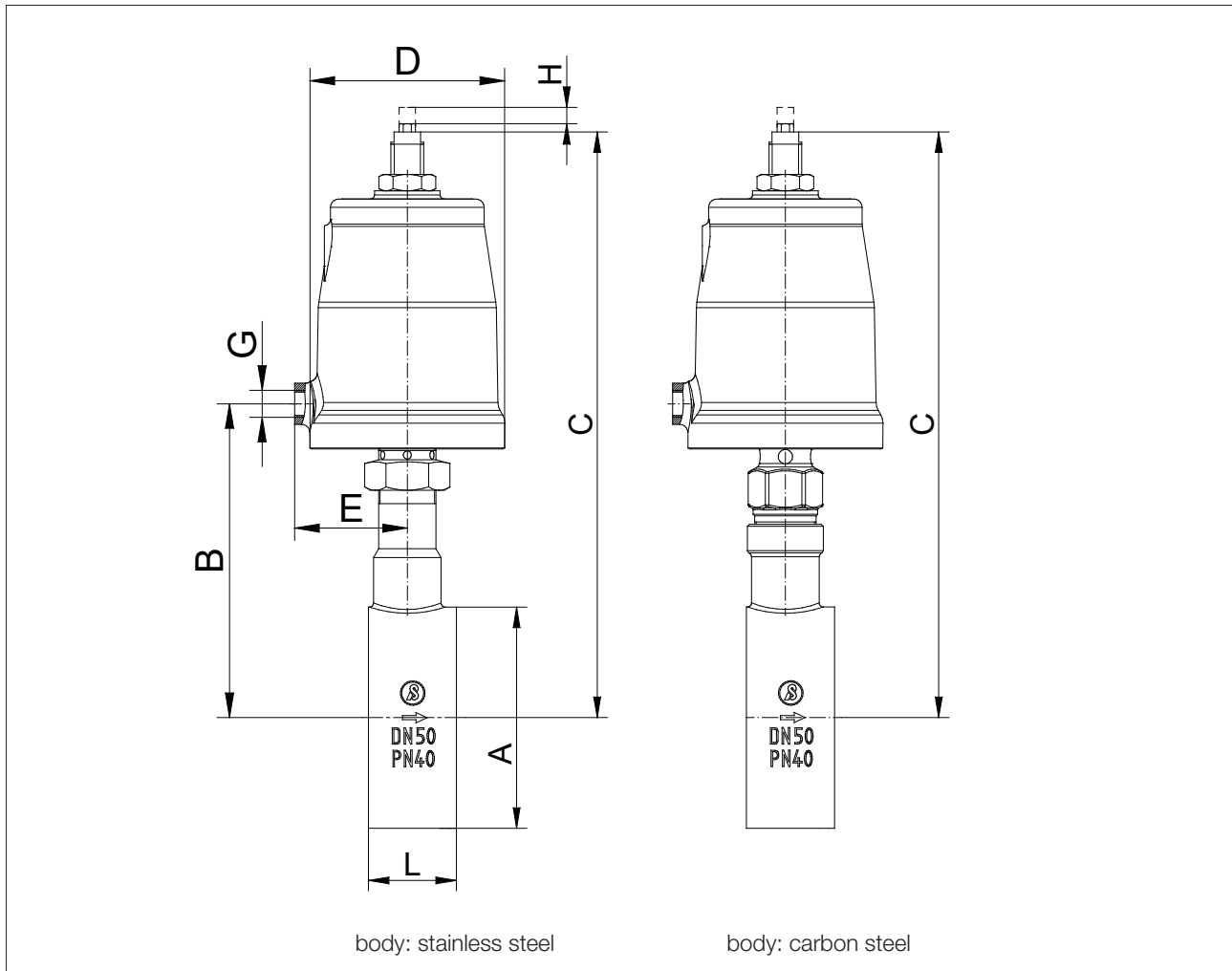


1. Type	2. Connection	3. Body material	4. Safety position	5. Actuator	6. Special versions	7. Springs	8. Stem sealing
A GS stop valve type 8041 (short design)	0 flangeless design acc. DIN 2632-2635 (PN 10-PN 40)	0 carbon steel 1.0619 1 stainless steel 1.4581 2 carbon steel 1.0619 reduced design 3 stainless steel 1.4581 reduced design	0 spring closes 1 spring opens 3 double acting	0 piston 50 mm 1 piston 80 mm 2 piston 125 mm	M State, if further sections are quoted	- standard 1 one spring 3 three springs	- PTFE-packing, self adjusting (standard)

9. Moving disc	10. Fixed plate	11. Kvs-values	12. Characteristic	13. Accessories	14. Switches etc.	15. Pilot valves	16. Special versions
- carbon material 9 STN2-disc S SFC-disc	- stainless steel 1.4571, coated 1 STN2-plate	- 100 % (Stand.) A red. to 63 % 1 red. to 40 % B red. to 25 % 2 red. to 16 % C red. to 10 % 3 red. to 6,3 % 4 red. to 2,5 % 5 red. to 1 % 6 red. to 20 % 7 red. to 12 % 8 red. to 2 % 9 red. to 0,4%	- linear 1 equal percentage	Z accessories el. Position indicator (cable bushing) N el. Position indicator (plug connection) P	- without 1 one micro switch 2 two micro switches 3 manual operation 4 stroke limitation 8 two inductive switches 10-36 VDC PNP P one inductive switch 10-36 VDC PNP	- without 6 pilot valve 230 VAC 7 pilot valve 24 VDC	S further special versions

Ordering examples: 8040/050VA0001M - - - - A 1 Z-7
GS-stop valve, DN 50, PN10/40, carbon steel, spring closes, actuator Ø 80 mm, sliding disc carbon material, fixed disc stainless steel 1.4571 coated, equal percentage red. to 63 %, pilot valve 24 V DC.

Dimensions and Weights



DN	A	L	Body: stainless steel						Body: carbon steel						Weight kg actuator			Stroke
			B acuator			C max acuator			B acuator			C max acuator						
			50	80	125	50	80	125	50	80	125	50	80	125	50	80	125	
15	53	33	109	112	115	206	243	262	132	135	138	229	266	285	2,1	4,3	5,7	6
20	62	33	114	117	120	211	248	267	137	140	143	234	271	290	2,2	4,4	5,8	6
25	72	33	119	122	125	216	253	272	142	145	148	239	276	295	2,3	4,5	5,9	6
32	82	33	123	126	129	220	257	276	145	148	151	242	279	298	2,4	4,5	5,9	6
40	92	33	128	131	134	225	262	281	150	153	156	247	284	303	2,5	4,7	6,1	6
50	108	43	151	154	157	250	287	306	151	154	157	250	287	306	3,6	5,8	7,2	8
65	127	46	160	163	166	259	296	315	160	163	166	259	296	315	4,1	6,3	7,7	8
80	142	46	168	171	174	267	304	332	168	171	174	267	304	323	4,8	7	8,4	8
100	164	52	181	184	187	280	317	336	181	184	187	280	317	336	6	8,2	9,6	8,5
125	194	56	193	196	199	292	329	348	193	196	200	292	329	349	7,8	10	11	8,5

Dimension C „reduced design“ shortened by 25,4 mm

Dimensions in mm

Actuator mm	D	G	E
50	62	1/8"	34,5
80	96	1/4"	55
125	146	1/4"	80

Dimensions in mm