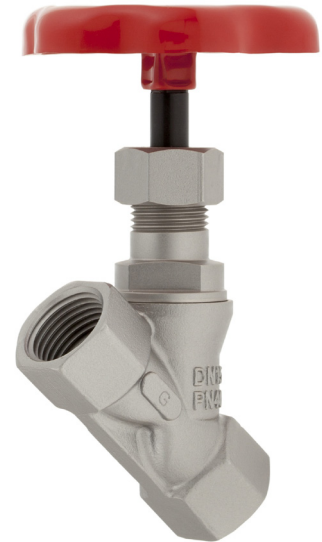


Angle Seat Manual Valve 7011

DN 15 up to DN 50, PN 40

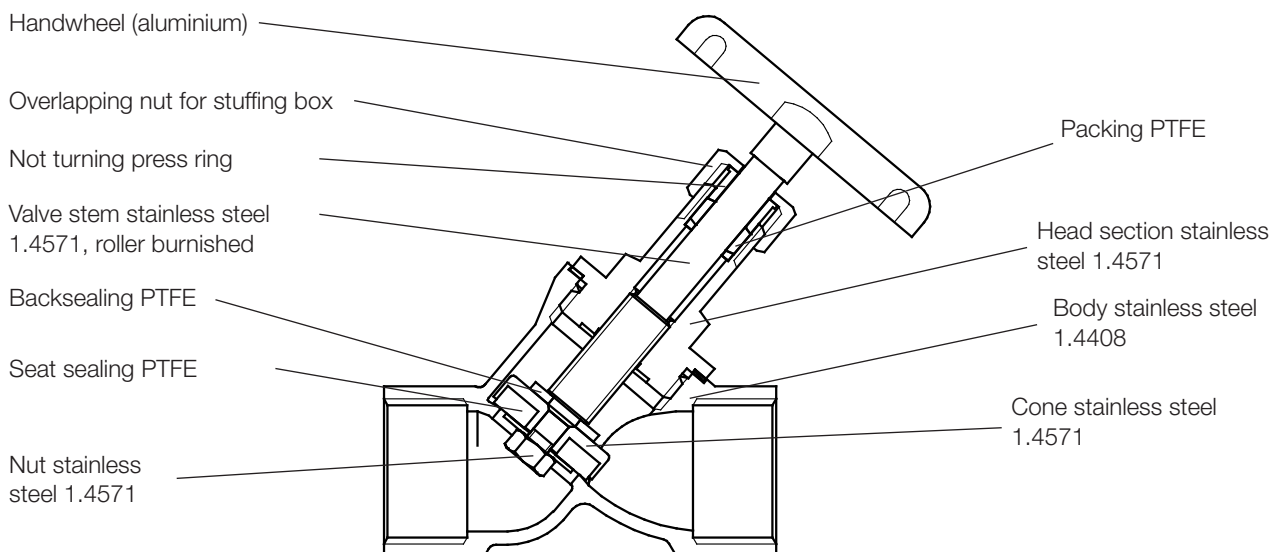
Manually operated valve for neutral up to highly aggressive media.

- Not sensitive against slightly contaminated fluids
- All parts contacting the fluid made from stainless steel and plastic
- Backsealing to unburden the stuffing box when the valve is opened
- For temperatures from -30°C up to +200°C

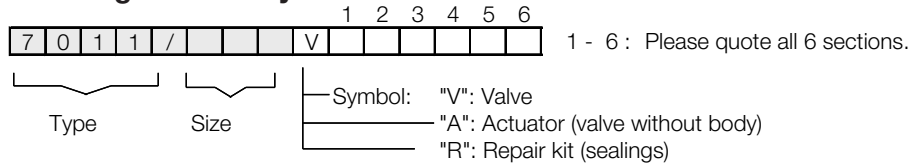


Technical Information

| | |
|---------------------|---|
| Orifice sizes | DN 15 up to DN 50 (1/2" - 2") |
| Connections | BSP thread acc. ISO 228-1 G 1/2" - G 2" |
| | NPT thread 1/2" - 2" |
| | Without thread |
| | Welding ends acc. ISO Welding ends acc. DIN |
| Body material | Stainless steel mat. no. 1.4408 |
| Nominal pressure | PN 40 |
| pressure limitation | limitation for dangerous gases acc. Pressure equipment directive 2014/68/EU (category I): PS x DN < 1000 |
| Fluid temperature | -30°C up to +200°C |



Ordering Number System

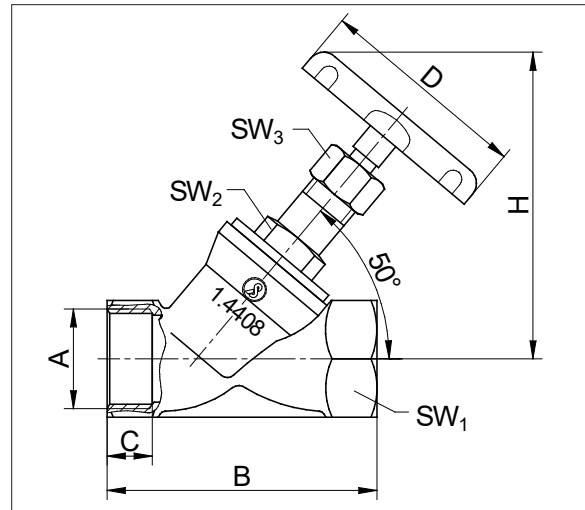
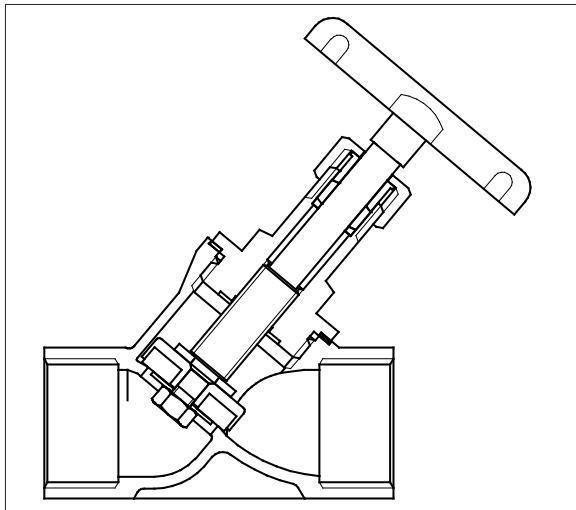


| 1. Body type | | 2. Connection | | 3. Body material | | 4. Seating seal | | 5. Pilot function | | 6. Actuator | |
|--------------|------------|-----------------------|-----------------------|------------------|-----------------------|-----------------|--------|-------------------|---------|-------------|-------------------|
| 1 | Angle body | H | Welding ends acc. ISO | 2 | Stainless steel 316 L | 0 | PTFE | - | Without | 5 | Manually operated |
| | | 5 | NPT-thread | | | 1 | Viton | | | | |
| | | Z | Tri-clamp | | | 2 | EPDM | | | | |
| | | * others upon request | | | | | | | | | |
| | | | | | | 3 | BUNA-N | | | | |

| 7. Hand wheel | | 8. Head section material | | 9. Packing | | 10. Temperature version | | 11. Accessories | | 12. Special versions | |
|---------------|---------------------|--------------------------|----------|------------|----------|-------------------------|----------|-----------------|----------------|----------------------|------------------|
| - | Standard | - | Standard | - | Standard | - | Standard | - | No accessories | S | Special versions |
| 1 | stainless steel 304 | | | | | | | | | | |

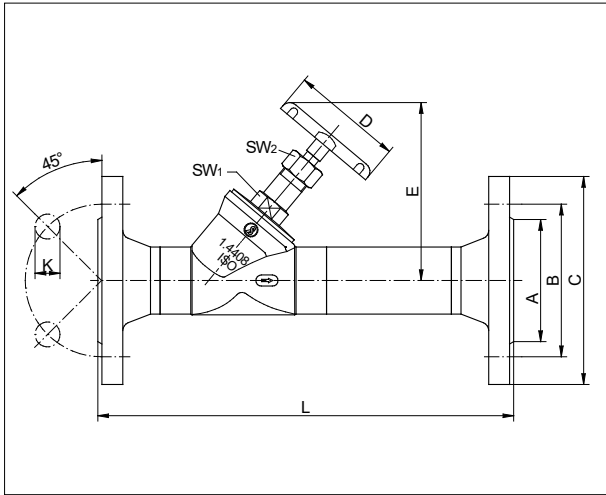
Ordering example: 7011/015V1020 - 5
 Nominal bore 15mm, angle seat valve, pipe thread acc. DIN 2999, stainless steel body, seat material

Dimensions and Weights

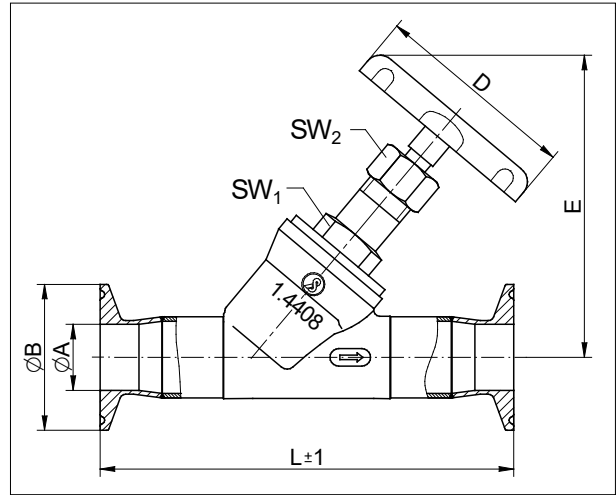


| DN | A G/NPT | B | C | D | E | | SW1 | SW2 | SW3 | Kvs- Value | Weight (kg) |
|----|------------|-----|----|-----|--------|--------|-----|-----|-----|---------------|----------------|
| | | | | | opened | closed | | | | | |
| 15 | 1/2" | 65 | 12 | 60 | 80 | 73 | 25 | 22 | 20 | 3,9 | 0,190 |
| 20 | 3/4" | 75 | 13 | 70 | 96 | 86 | 31 | 22 | 20 | 9,6 | 0,270 |
| 25 | 1" | 90 | 15 | 70 | 110 | 96 | 39 | 30 | 20 | 17 | 0,460 |
| 32 | 1 1/4" | 110 | 17 | 80 | 132 | 116 | 48 | 30 | 24 | 28 | 0,770 |
| 40 | 1 1/2" | 120 | 19 | 80 | 141 | 122 | 55 | 30 | 24 | 39 | 1,160 |
| 50 | 2" | 150 | 21 | 100 | 169 | 144 | 68 | 30 | 27 | 62 | 1,720 |

Dimensions and weights with weld neck flanges or Tri-Clamp connection



weld neck flange DIN/ANSI



Tri-Clamp connection (Inch)

| DN | weld neck flange acc. to DIN 2635 | | | | weld neck flange acc. to ANSI 150 | | | | Tri-Clamp connection (Inch) | | | D | E | | SW1 | SW2 | Kvs- Value | Weight (ca. kg) |
|----|--------------------------------------|-----|-----|-----|--------------------------------------|-------|-------|-----|--------------------------------|------|-----|-----|------|--------|-----|-----|---------------|--------------------|
| | A | B | C | L | A | B | C | L | A | B | L | | open | closed | | | | |
| 15 | 45 | 65 | 95 | 230 | 35,1 | 60,5 | 88,9 | 230 | 9,5 | 25 | 120 | 60 | 80 | 73 | 22 | 19 | 3,9 | 0,190 |
| 20 | 58 | 75 | 105 | 260 | 43 | 69 | 98,6 | 260 | 15,8 | 25 | 130 | 70 | 96 | 86 | 22 | 19 | 9,6 | 0,270 |
| 25 | 68 | 85 | 115 | 260 | 50,8 | 79 | 108 | 260 | 22,9 | 50,5 | 142 | 70 | 110 | 96 | 30 | 19 | 17 | 0,460 |
| 32 | 78 | 100 | 140 | 300 | 63,5 | 88,9 | 117,4 | 300 | 31,8 | 50,5 | 166 | 80 | 132 | 116 | 30 | 24 | 28 | 0,770 |
| 40 | 88 | 110 | 150 | 300 | 73,2 | 98,6 | 127 | 300 | 35,1 | 50,5 | 162 | 80 | 141 | 122 | 30 | 24 | 39 | 1,160 |
| 50 | 102 | 125 | 165 | 350 | 92 | 120,7 | 152,4 | 350 | 47,8 | 64 | 192 | 100 | 169 | 144 | 30 | 27 | 62 | 1,720 |

Dimensions in mm