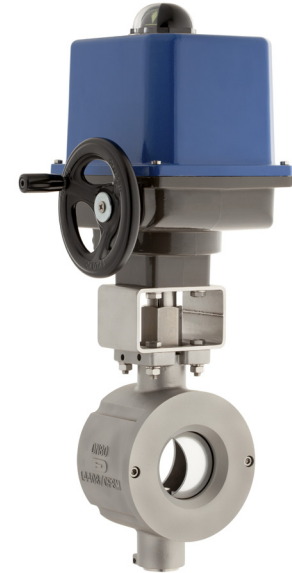


Ball Sector Motor Valve 4030

DN 25 up to DN 300



- DN 25 up to DN300
- High Kv-values up to 3840
- Excellent control characteristics
- Suitable for abrasive media
- Easily exchangeable seat ring
- Low maintenance
- Actuators can be easily fitted
- Efficient and easy to install



Technical Information Valve

Design	DN 25 - DN 250 flangeless wafertype DN 300 flange connection	
Nominal sizes	DN 25 up to DN 300	
Body material	cast parts	1.4408 (CF8M)
	turned parts	1.4404 (316L)
Bearing material	high temperature plain bearing (Iglidur Z)	
Connection to the actuator	mounting kit DIN/ISO 5211	
Nominal pressure	DN 25 - DN 50	PN40 (for flanges PN 10 - PN 40), ANSI300, ANSI150
	DN 80 - DN100	PN25 (for flanges PN 10 - PN 25), ANSI150
	DN 150 - DN 300	PN16 (for flanges PN 10 - PN 16), ANSI150
Fluid Temperature	-60°C up to +230°C according to the sealings	
Ambient temperature	-40°C up to +80°C according to the acuator	
Characteristic	special version on request	
Characteristic	almost equal percentage	
Rangeability	100:1	

Valve sizes, Kvs-Values, Torques

Nominal size	Cv	hole inch	rotation angle nominal *	max. press. nominal	max. press. nominal ANSI	req. torque [lbf (control)]	mounting kit DIN/ISO	
							series 1	series 2
1"-50%	14.5	0.59	65°	580 psi	ANSI 300	11	F04/SW11	F05/SW14
1"	24.4	0.75	90°	580 psi	ANSI 300	11	F04/SW11	F05/SW14
1 1/2 -50%	39.4	0.98	60°	580 psi	ANSI 300	22	F05/SW14	F07/SW17
1 1/2 "	74.2	1.26	90°	580 psi	ANSI 300	22	F05/SW14	F07/SW17
2"	109	1.57	90°	580 psi	ANSI 300	22	F05/SW14	F07/SW17
3"	295.8	2.52	90°	365 psi	ANSI 150	44	F07/SW17	F10/SW22
4"	452.4	3.15	90°	365 psi	ANSI 150	66	F07/SW17	F10/SW22
6"	939.6	4.72	90°	235 psi	ANSI 150	111	F10/SW22	F12/SW27
8"	1583.4	6.1	90°	235 psi	ANSI 150	155	F12/SW27	F14/SW36
10"	2575.2	7.68	90°	235 psi	ANSI 150	266	F12/SW27	F14/SW36
12"	4454.4	9.84	90°	235 psi	ANSI 150	664	F14/SW36	F16/SW46

* All Valves can be rotated 90° when actuated.

Though for valves with reduced bore holes a smaller angle of rotation is sufficient.

Valve seat combinations

Seat ring	Ball sector	Leakage	min. temp [°C]*
PTFE	stainless steel polished or hard chrome plated or lapped	5×10^{-7} from max. Kvs	-40 up to +170°C
PEEK	stainless steel polished or hard chrome plated or lapped	5×10^{-7} from max. Kvs	-40 up to +250°C
Stellit	stainless steel, hard chrome plated and lapped	Class IV-S1 acc. EN 1349 (IEC 534-4) 5×10^{-6} from max. Kvs	-40 up to +250°C
PTFE	stainless steel, hard chrome plated and lapped	Class VI acc. EN 1349 (IEC 534-4)	-40 up to +170°C
Stellit	stainless steel, hard chrome plated and lapped, seat holding ring hard chrome plated	5×10^{-7} from max. Kvs	-40 up to +250°C

* Please note the restrictions of the o-ring material!

Shaft seals (o-ring)

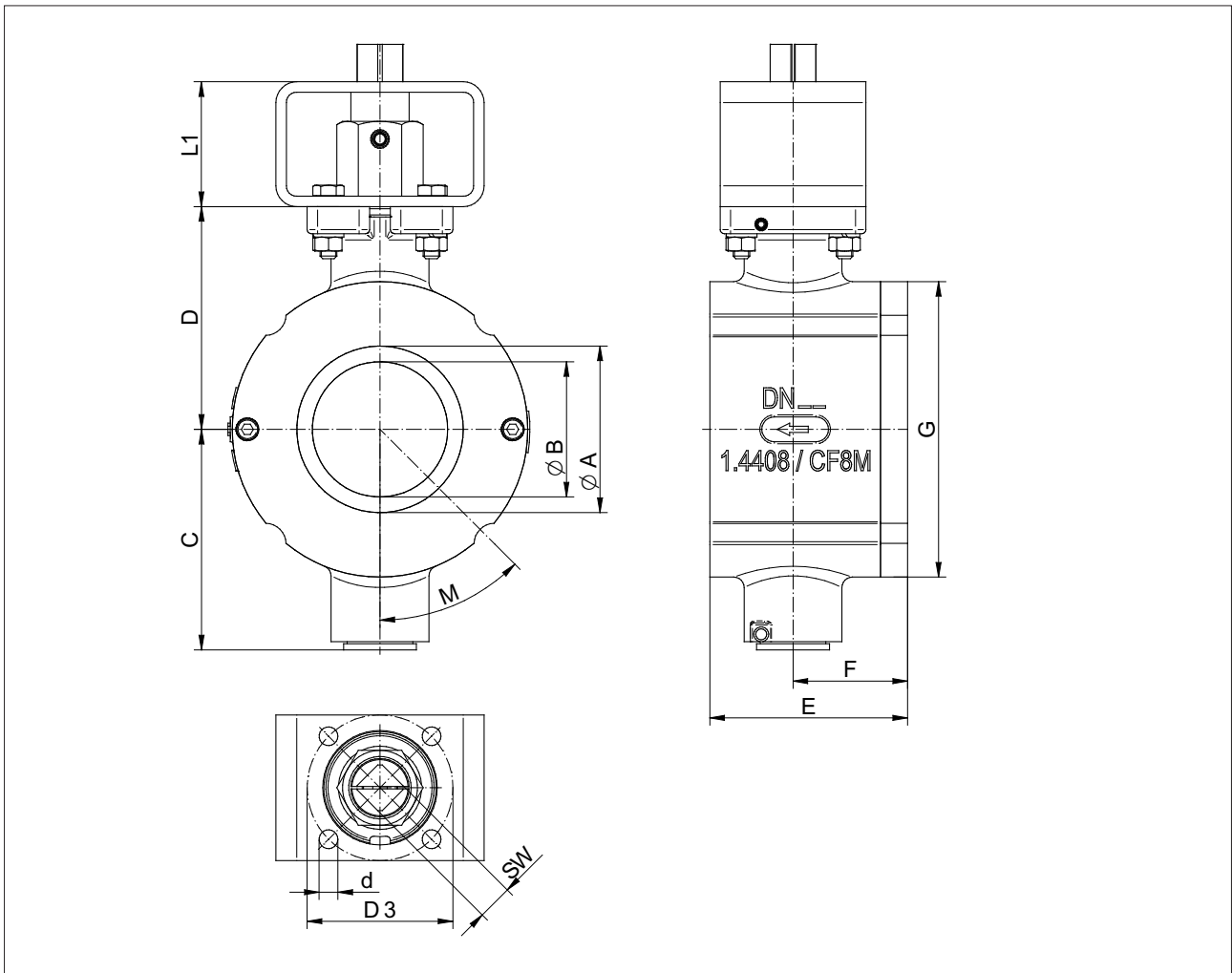
	min. temp [°C]	max. temp [°C]	comment
Viton (Standard)	-15	200	
EPDM	-30	140	suitable for steam
NBR (P700)	-40	100	
FFKM (Perlast/Kalrez)	-15	250	suitable for steam

special material on request

Working pressure max.

Nominal size	maximum differential pressure (delta p)									
	seat ring PTFE			seat ring PEEK				seat ring Stellit		
DN	up to 80°C	120°C	170°C	up to 80°C	120°C	170°C	220°C	up to 80°C	170°C	220°C
	bar	bar	bar	bar	bar	bar	bar	bar	bar	bar
25-50	25	16	6	40	40	25	16	40	40	25
80-100	16	12	5	25	25	16	10	25	25	16
150-300	16	12	4	16	16	12	8	16	16	12

Dimensions without actuator (with mounting kit ISO 5211)



DN	A	B	C	D	E	F	G	L1	d	D3	SW	DIN/ISO 5211
25	25	20	73	74	50	25,5	73	60	6,6	50	14	F 05
40	41	32	79	80	58	30,5	94	60	6,6	50	14	F 05
50	53	40	82	83	71	37,5	112	60	6,6	50	14	F 05
80	80	65	106	107	95	54,5	142	60	9	70	17	F 07
100	100	80	117	118	112	64,5	174	60	9	70	17	F 07
150	150	120	155	156	170	94	220	80	11	102	22	F 10
200	200	155	184	185	210	119	280	80	13,5	125	27	F 12
250	250	195	228	229	270	143	338	80	13,5	125	27	F 12

Dimensions of the valves incl. actuators on request.

Dimension in mm