

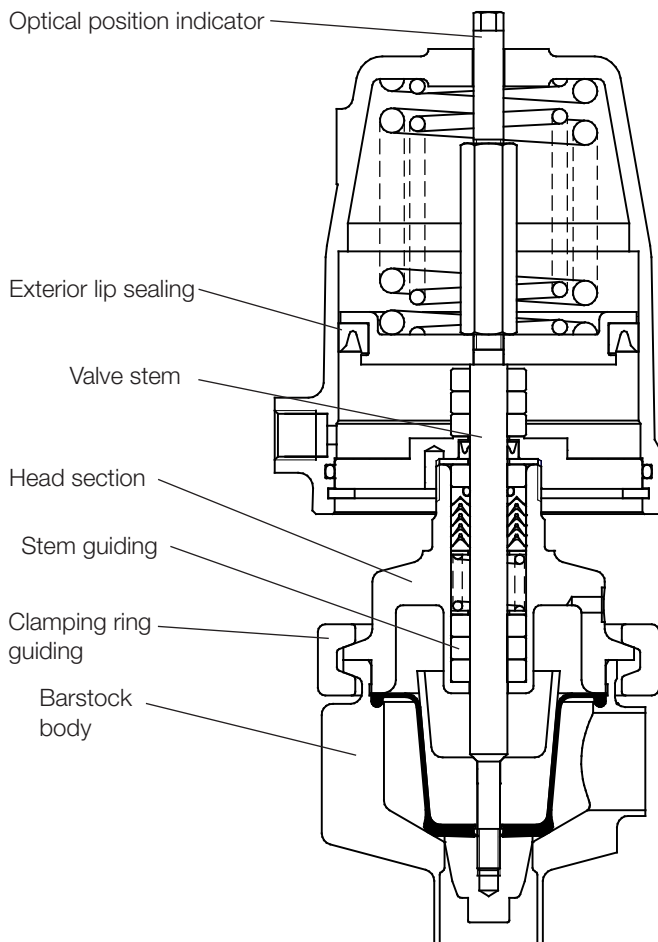
Aseptic Right Angle Valve 6011

SCHUBERT & SALZER
**CONTROL
SYSTEMS**

DN 15 up to DN 40 PN 16
for the pharmaceutical and food industry

Pneumatic valve in right angle design for applications in pharmaceutical and food industry.

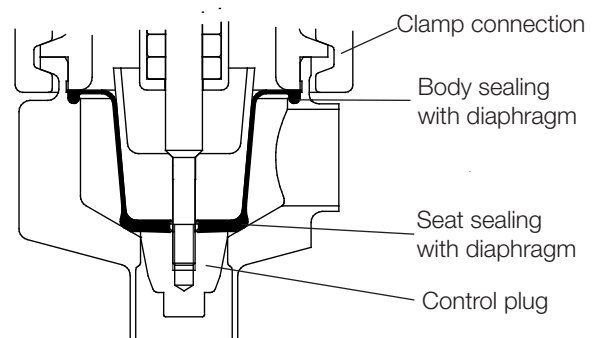
- EHEDG-approval
- Compact design
- Body made from non-porous barstock material
- For temperatures from -20°C up to +135°C
- Working pressure up to 16 bar
- Diaphragm actuator



Options

e.g.:

- limit switches
 - inductive proximity switches
 - pneumatic switches
- pilot valves
- manual override



Soft sealing with EPDM diaphragm

Technical Information

Body material	Stainless steel 1.4435
Nominal sizes	DN 15, DN 25, DN 40 (DN20 in inch)
Connections	Welding ends DIN11850, series 2 Welding ends acc. ISO Welding ends acc. Inch Tri-clamp acc. Inch
Nominal pressure	PN 16
Body sealing	EPDM diaphragm FDA Silicon diaphragm USP cl. IV
Fluid temperature	-20°C bis +135°C EPDM / -20°C bis +135°C silicon
Sterilisation temperature	max. 150°C up to 30 min. EPDM
Ambient temperature	-20°C up to +75 °C
Surface finish	inside polished, Ra < 0,6 µm electropolished, Ra < 0,4 µm electropolished, Ra < 0,25 µm

Pilot- and Operating Pressure

normally closed, closing against the flow

Nominal size	max. Operating pressure (differential pressure) bar	Pilot pressure bar	Piston mm	Springs
DN15 up to DN25	5	3,5 - 10	80	1
DN15 up to DN25	7	4,4 - 10	80	2
DN15 up to DN25	10	2,2 - 10	125	2
DN15 up to DN25	14	3,1 - 10	125	3
DN15 up to DN25	16	2,2 - 6	250	6
DN40	5	2,2 - 10	125	2
DN40	8	3,1 - 10	125	3
DN40	11	2,2 - 6	250	6
DN40	14	2,8 - 6	250	8

Standard

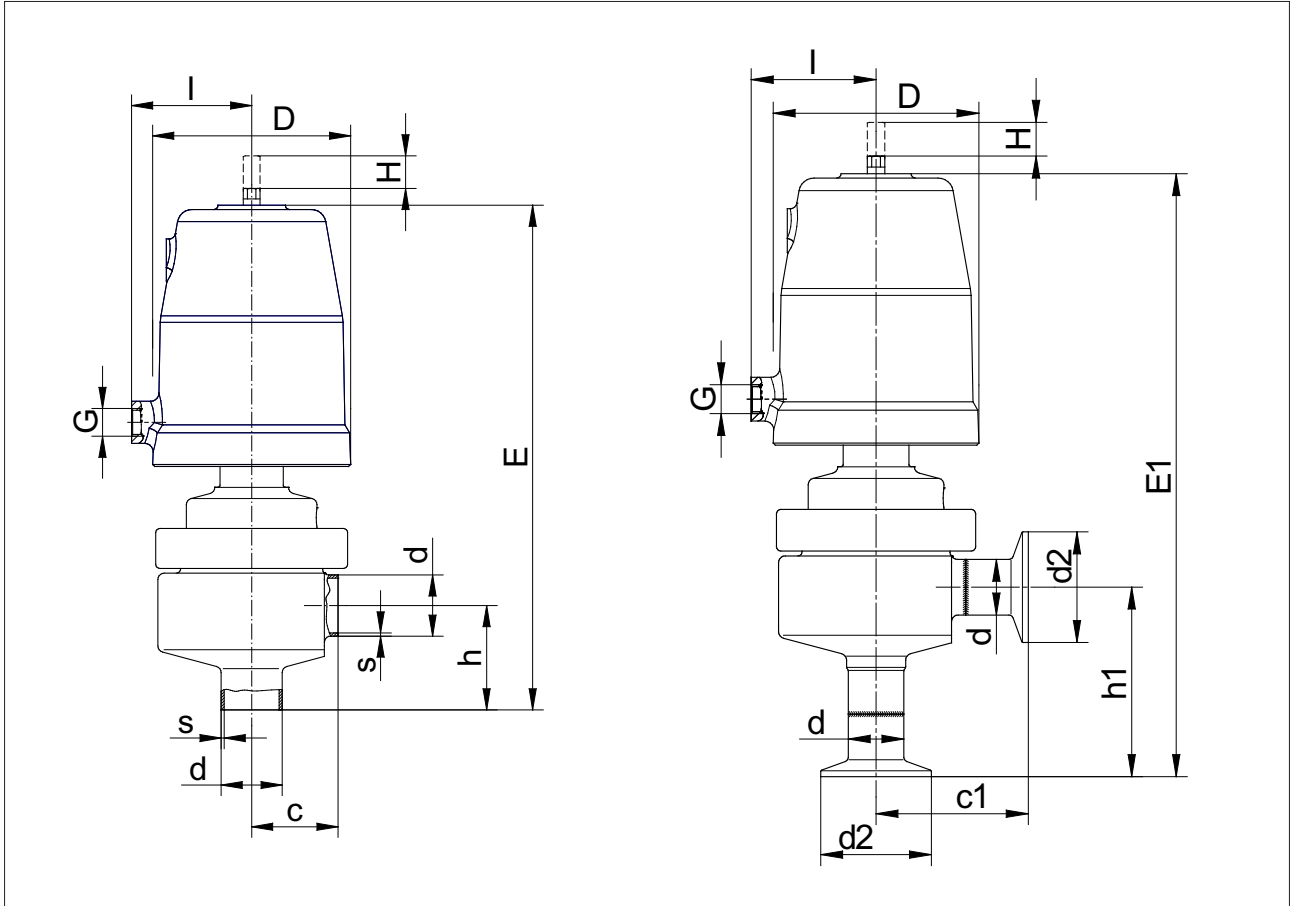
Kvs- Values

characteristic	linear				equal percentage			
	15	20	25	40	15	20	25	40
full	4	4	10	25	4	4	10	20
reduced (63 %)	2,5	2,5	6,3	16	2,5	2,5	6,3	15
reduced (40 %)	1,6	1,6	4	-	1,6	1,6	4	-
reduced (25 %)	1	1	2,5	-	-	-	2,5	-
reduced (16 %)	0,63	0,63	1,6	-	-	-	1,6	-
reduced (10 %)	0,4	0,4	1	-	-	-	-	-
reduced (6,3 %)	-	-	0,63	-	-	-	-	-
reduced (4 %)	-	-	0,4	-	-	-	-	-
stroke (mm)	16							

DN20 only in inch available

Aseptic Right Angle Valve 6011

Dimensions and Weights, piston actuator



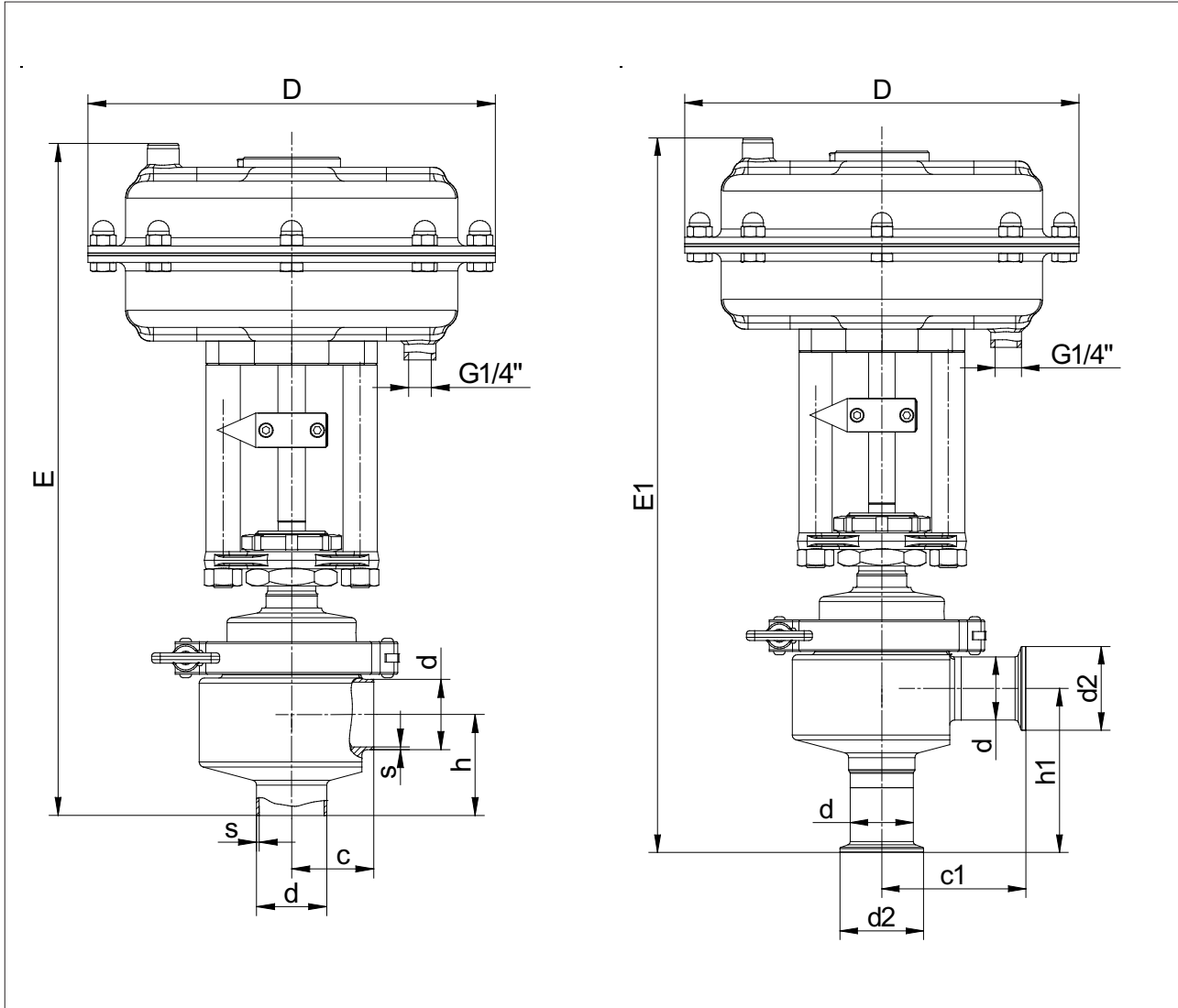
DN	Piston Ø	D	G	DIN DIN 11850 series 2				ISO				Inch				I	H	E	Kvs value	Weight (~kg)
				d	s	h	c	d	s	h	c	d	s	h	c					
15	80	96	1/4"	19	1,5	43	54,5	21,3	1,6	43	53,5	12,7	1,65	43	57	80	16	240	5,5	3,5
20	80	96	1/4"	-	-	-	-	-	-	-	-	19,05	1,65	43	54,5	80	16	240	5,5	3,5
25	80	96	1/4"	29	1,5	41	49,5	33,7	2	41	47	25,4	1,65	41	51	80	16	240	18,5	4,0
25	125	146	1/4"	29	1,5	41	49,5	33,7	2	41	47	25,4	1,65	41	51	105	16	266	18,5	6,7
40	125	146	1/4"	41	1,5	48	59	48,3	2	48	55	38,1	1,65	48	60	105	16	283	38,0	8,0

DN	Piston Ø	D	G	Tri-Clamp				acc.	E1	H stroke	I
				d	d2	c1	h1				
15	80	96	1/4"	12,7	25	56	85,5	269	16	80	
20	80	96	1/4"	19,05	25	56	83	269	16	80	
25	80	96	1/4"	25,4	50,5	74,5	79,5	269	16	80	
25	125	146	1/4"	25,4	50,5	74,5	79,5	295	16	105	
40	125	146	1/4"	38,1	50,5	87	99	322	16	105	

Dimensions in mm

Aseptic Right Angle Valve 6011

Dimensions and Weights, diaphragm actuator



DN	Piston Ø	D	DIN DIN 11850 series 2				ISO				Inch				H stroke	E	Kvs value	weight (~kg)
			d	s	h	c	d	s	h	c	d	s	h	c				
15	250	96	19	1,5	43	54,5	21,3	1,6	43	53,5	12,7	1,65	43	57	16	375	5,5	11,5
20	250	96	-	-	-	-	-	-	-	-	19,05	1,65	43	54,5	16	375	5,5	11,5
25	250	146	29	1,5	41	49,5	33,7	2	41	47	25,4	1,65	41	51	16	375	18,5	14,7
40	250	146	41	1,5	48	59	48,3	2	48	55	38,1	1,65	48	60	16	395	38,0	16,0

DN	Piston Ø	D	Tri-Clamp			acc. h1	E1	H stroke
			d	d2	c1			
15	250	240	12,7	25	56	85,5	405	16
20	250	240	19,05	25	56	83	405	16
25	250	240	25,4	50,5	74,5	79,5	405	16
40	250	240	38,1	50,5	87	99	435	16

Dimensions in mm

Text and pictures are not binding. We reserve the right, to alter the equipment.