

**K J 10 - M 30 M B 45 - D P S - V1 - X0000**  
 T T T T T T T T T T T T  
 1 2 3 4 5 6 7 8 9 10 11 12

1= Working principle:

- J inductive
  - JR inductive ring
  - JF inductive surface
  - JG inductive slot
  - JD full metal
- C capacitive
- M magnetoresistive

2= Switching distance / range

3= Design:

- M cylindrical housings with metrical thread
- G cylindrical housings without thread
- Q square housings
- D ring housings

catalogue  
in revision

4= Housing diameter / edge length

5= Housing material:

- M brass, nickel plated
- E stainless steel 1.4305
- K plastic
- A aluminium

11= Kind of Connection:

- V1 M8 screw / snap in
- V2 M12 metal
- V2/1 M12 plastic
- V3 M5 metal
- V4 Amphenol Tuchel
- V6 Brad Harrison
- V7 valve connector type A
- V8 M8 only snap in
- V9 M12 only snap in
- V10 valve connector type C
- V11 AC-connector 1/2" UNF
- V12 M18 plastic
- VE Euchner connector
- ZW termination box 90°
- RS232 data interface
- PG thread joint PG
- Mxx thread joint metrical

6= Installation type:

- B shielded
- N non shielded

7= Tube length:

for cylindrical devices in mm

8= Operating voltage:

- D DC direct-current voltage
- AZ AC alternating-current voltage
- VZ AC/DC all voltages

9= Type of the output signal:

- P PNP
- N NPN
- Z two-wire
- AN analog
  - ANI current output
  - ANU voltage output
- NA Namur

more at inquiry

10= Function:

- S N.O.
- Ö N.C.
- A changeover
- U switchable
- I impulse output
- D data interface

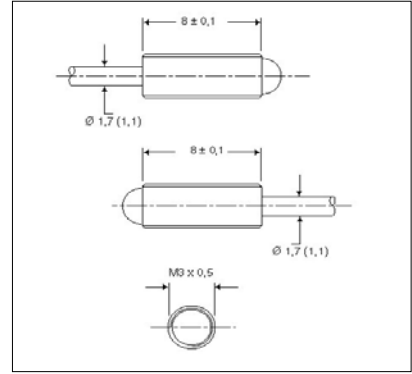
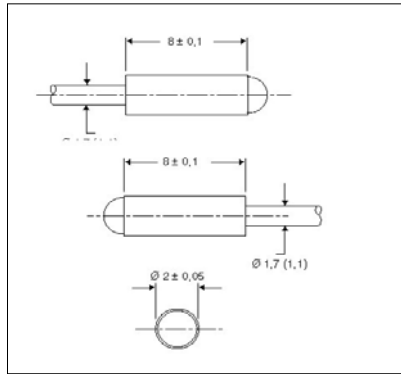
12= Addition mark:

- SF weld field immune
- T high temperature
- FE reduction 1 to steel/iron
- NF reduction 1 to aluminium
- X customized design
- W angled sensing face / angled cable exit
- AM middle sensing face



**Opposed Mode**

Operation only with corresponding amplifier.



<b>Type</b>
<b>Order no. (Match-Code)</b>
<b>Light</b>
<b>Sensing Distance <sup>1)</sup> or <sup>2)</sup></b>
<b>Min. Object Size <sup>1)</sup> or <sup>2)</sup></b>

<b>KOES300-G2EB8-X0301 IR</b>
<b>08363602000 (9960-2000)</b>
Infrared Light 880 nm
<sup>1)</sup> 300 mm / <sup>2)</sup> 100 mm
<sup>1)</sup> 0,2 mm / <sup>2)</sup> 0,1 mm

<b>KOES300-M3MB8-X0301 IR</b>
<b>08363102300 (9960-2300)</b>
Infrared Light 880 nm
<sup>1)</sup> 300 mm / <sup>2)</sup> 100 mm
<sup>1)</sup> 0,2 mm / <sup>2)</sup> 0,1 mm

<b>Type</b>
<b>Order no. (Match-Code)</b>
<b>Light</b>
<b>Sensing Distance <sup>1)</sup> or <sup>2)</sup></b>
<b>Min. Object Size <sup>1)</sup> or <sup>2)</sup></b>

<b>KOES300-G2EB8-X0301 RL</b>
<b>08363602100</b>
Red Light 660 nm
<sup>1)</sup> 300 mm / <sup>2)</sup> 100 mm
<sup>1)</sup> 0,2 mm / <sup>2)</sup> 0,1 mm

<b>KOES300-M3MB8-X0301 RL</b>
<b>08363102400</b>
Red Light 660 nm
<sup>1)</sup> 300 mm / <sup>2)</sup> 100 mm
<sup>1)</sup> 0,2 mm / <sup>2)</sup> 0,1 mm

<b>Type</b>
<b>Order no. (Match-Code)</b>
<b>Light</b>
<b>Sensing Distance <sup>1)</sup> or <sup>2)</sup></b>
<b>Min. Object Size <sup>1)</sup> or <sup>2)</sup></b>

<b>KOES800-G2EB8-X0301 IR</b>
<b>08363602200</b>
Infrared Light 880 nm
<sup>1)</sup> 800 mm / <sup>2)</sup> 300 mm
<sup>1)</sup> 0,2 mm / <sup>2)</sup> 0,1 mm

<b>KOES800-M3MB8-X IR</b>
<b>08363602500</b>
Infrared Light 880 nm
<sup>1)</sup> 800 mm / <sup>2)</sup> 300 mm
<sup>1)</sup> 0,2 mm / <sup>2)</sup> 0,1 mm

<b>Housing Material</b>
<b>Mounting</b>
<b>Connection</b>
<b>Type of Protection</b>
<b>Ambient Temperature</b>

<b>Stainless Steel</b>
for Adhesion or Clamp Mounting
1m PUR-Cable with Connector
IP 65
-10°C bis +55°C

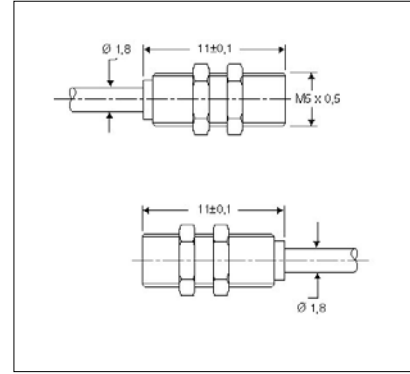
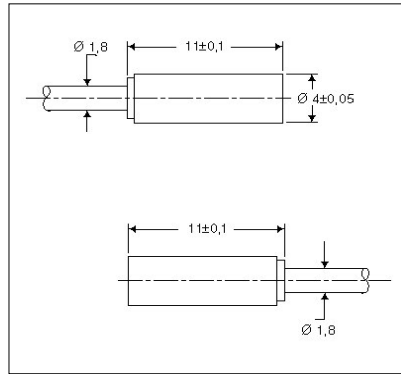
<b>Brass, nickel plated</b>
for Screw Mounting
1m PUR-Cable with Connector
IP 65
-10°C bis +55°C

	Amplifier Switchable	<sup>1)</sup> Standard Solution	<sup>2)</sup> High Solution	
<b>Order no.</b>	08369614100	08369614200	08369614500	08369614600
<b>Output Function</b>	NPN	NPN	PNP	PNP
<b>Connection</b>	Connector M12	Connector M8	Connector M12	Connector M8
<b>Specials</b>	Alarm Output	Alarm Output	AlarmOutput	AlarmOutput
<b>Order no.</b>	08369614000	08369614300	08369614400	08369614700
<b>Output Function</b>	NPN	NPN	PNP	PNP
<b>Connection</b>	2m Cable	Connector M8	2m Cable	Connector M8



**Opposed Mode**

Operation only with corresponding amplifier.



<b>Type</b>
<b>Order no. (Match-Code)</b>
<b>Light</b>
<b>Sensing Distance <sup>1)</sup> or <sup>2)</sup></b>
<b>Min. Object Size <sup>1)</sup> or <sup>2)</sup></b>

<b>KOES1000-G4EB11-X0301 IR</b>
<b>08363602600 (9960-2600)</b>
Infrared Light 880 nm
<sup>1)</sup> 1000 mm / <sup>2)</sup> 350 mm
<sup>1)</sup> 0,3 mm / <sup>2)</sup> 0,15 mm

<b>KOES1000-M5MB11-X0301 IR</b>
<b>08363602800 (9960-2800)</b>
Infrared Light 880 nm
<sup>1)</sup> 1000 mm / <sup>2)</sup> 350 mm
<sup>1)</sup> 0,3 mm / <sup>2)</sup> 0,15 mm

<b>Type</b>
<b>Order no. (Match-Code)</b>
<b>Light</b>
<b>Sensing Distance <sup>1)</sup> or <sup>2)</sup></b>
<b>Min. Object Size <sup>1)</sup> or <sup>2)</sup></b>

<b>KOES2000-G4EB11-X0301 IR</b>
<b>08363602700</b>
Infrared Light 880 nm
<sup>1)</sup> 2000 mm / <sup>2)</sup> 700 mm
<sup>1)</sup> 0,3 mm / <sup>2)</sup> 0,15 mm

<b>KOES2000-M5MB11-X0301 IR</b>
<b>08363602900</b>
Infrared Light 880 nm
<sup>1)</sup> 2000 mm / <sup>2)</sup> 700 mm
<sup>1)</sup> 0,3 mm / <sup>2)</sup> 0,15 mm

<b>Type</b>
<b>Order no. (Match-Code)</b>



<b>Housing Material</b>
<b>Mounting</b>
<b>Connection</b>
<b>Type of Protection</b>
<b>Ambient Temperature</b>

<b>Stainless Steel</b>
for Adhesion or Clamp Mounting
1m PUR-Cable with Connector
IP 65
-10°C bis +55°C

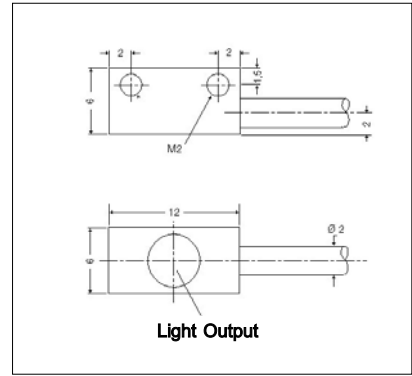
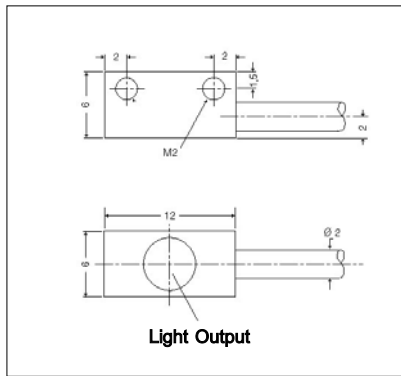
<b>Brass, nickel plated</b>
for Screw Mounting
1m PUR-Cable with Connector
IP 65
-10°C bis +55°C

	<b>Amplifier Switchable</b>	<sup>1)</sup> <b>Standard Solution</b>	<sup>2)</sup> <b>High Solution</b>	
<b>Order no.</b>	<b>08369614100</b>	<b>08369614200</b>	<b>08369614500</b>	<b>08369614600</b>
<b>Output Function</b>	NPN	NPN	PNP	PNP
<b>Connection</b>	Connector M12	Connector M8	Connector M12	Connector M8
<b>Specials</b>	Alarm Output	Alarm Output	Alarm Output	Alarm Output
<b>Order no.</b>	<b>08369614000</b>	<b>08369614300</b>	<b>08369614400</b>	<b>08369614700</b>
<b>Output Function</b>	NPN	NPN	PNP	PNP
<b>Connection</b>	2m Cable	Connector M8	2m Cable	Connector M8



**Opposed Mode**

Operation only with corresponding amplifier.



<b>Type</b>
<b>Order no. (Match-Code)</b>
<b>Light</b>
<b>Sensing Distance <sup>1)</sup> or <sup>2)</sup></b>
<b>Min. Object Size <sup>1)</sup> or <sup>2)</sup></b>

<b>KOES1000-Q6MB12-X0301 IR</b>
<b>08363600500 (9960-0500)</b>
Infrared Light 880 nm
<sup>1)</sup> 1000 mm / <sup>2)</sup> 350 mm
<sup>1)</sup> 0,3 mm / <sup>2)</sup> 0,15 mm

<b>KOES4000-Q6MB12-X0301 IR</b>
<b>08363600700 (9960-0700)</b>
Infrared Light 880 nm
<sup>1)</sup> 4000 mm / <sup>2)</sup> 1400 mm
<sup>1)</sup> 0,4 mm / <sup>2)</sup> 0,2 mm

<b>Type</b>
<b>Order no. (Match-Code)</b>
<b>Light</b>
<b>Sensing Distance <sup>1)</sup> or <sup>2)</sup></b>
<b>Min. Object Size <sup>1)</sup> or <sup>2)</sup></b>

<b>KOES2000-Q6MB12-X0301 IR</b>
<b>08363602100</b>
Infrared Light 880 nm
<sup>1)</sup> 2000 mm / <sup>2)</sup> 700 mm
<sup>1)</sup> 0,3 mm / <sup>2)</sup> 0,15 mm


<b>Type</b>
<b>Order no. (Match-Code)</b>



<b>Housing Material</b>
<b>Mounting</b>
<b>Connection</b>
<b>Type of Protection</b>
<b>Ambient Temperature</b>

<b>Brass, nickel plated</b>
for Screw Mounting
1m PUR-Cable with Connector
IP 65
-10°C bis +55°C

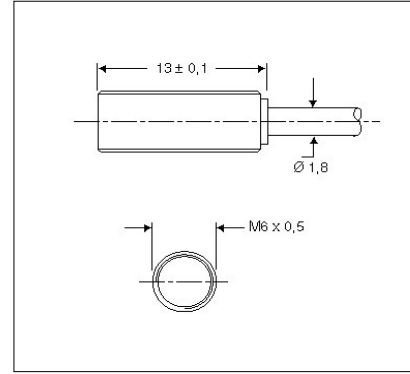
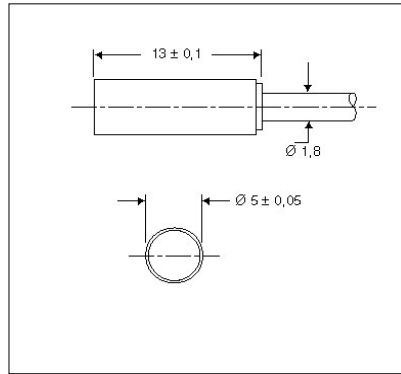
<b>Brass, nickel plated</b>
for Screw Mounting
1m PUR-Cable with Connector
IP 65
-10°C bis +55°C

	<b>Amplifier Switchable</b>	<sup>1)</sup> <b>Standard Solution</b>	<sup>2)</sup> <b>High Solution</b>	
<b>Order no.</b>	<b>08369614100</b>	<b>08369614200</b>	<b>08369614500</b>	<b>08369614600</b>
<b>Output Function</b>	NPN	NPN	PNP	PNP
<b>Connection</b>	Connector M12	Connector M8	Connector M12	Connector M8
<b>Specials</b>	Alarm Output	Alarm Output	Alarm Output	Alarm Output
<b>Order no.</b>	<b>08369614000</b>	<b>08369614300</b>	<b>08369614400</b>	<b>08369614700</b>
<b>Output Function</b>	NPN	NPN	PNP	PNP
<b>Connection</b>	2m Cable	Connector M8	2m Cable	Connector M8



**Opposed Mode**

Operation only with corresponding amplifier



<b>Type</b>
<b>Order no. (Match-Code)</b>
<b>Light</b>
<b>Sensing Distance <sup>1)</sup> or <sup>2)</sup></b>
<b>Min. Object Size <sup>1)</sup> or <sup>2)</sup></b>

<b>KOES4000-G5EB13-X0301 IR</b>
<b>08363603000 (9960-3000)</b>
Infrared Light 880 nm
<sup>1)</sup> 4000 mm / <sup>2)</sup> 1400 mm
<sup>1)</sup> 0,4 mm / <sup>2)</sup> 0,2 mm

<b>KOES4000-M6EM13-X0301 IR</b>
<b>08363603100 (9960-3100)</b>
Infrared Light 880 nm
<sup>1)</sup> 4000 mm / <sup>2)</sup> 1400 mm
<sup>1)</sup> 0,4 mm / <sup>2)</sup> 0,2 mm

<b>Type</b>
<b>Order no. (Match-Code)</b>



<b>Type</b>
<b>Order no. (Match-Code)</b>



<b>Housing Material</b>
<b>Mounting</b>
<b>Connection</b>
<b>Type of Protection</b>
<b>Ambient Temperature</b>

<b>Stainless Steel</b>
for Adhesion or Clamp Mounting
1m PUR-Cable with Connector
IP 65
-10°C bis +55°C

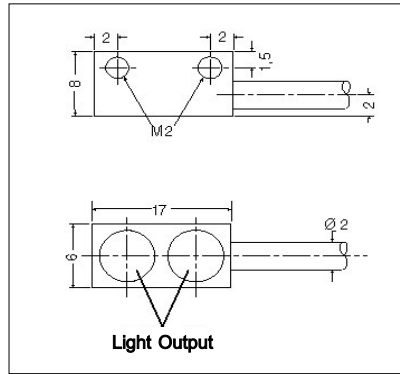
<b>Brass, nickel plated</b>
for Screw Mounting
1m PUR-Cable with Connector
IP 65
-10°C bis +55°C

	Amplifier Switchable <sup>1)</sup> Standard Solution		<sup>2)</sup> High Solution	
<b>Order no.</b>	08369614100	08369614200	08369614500	08369614600
<b>Output Function</b>	NPN	NPN	PNP	PNP
<b>Connection</b>	Connector M12	Connector M8	Connector M12	Connector M8
<b>Specials</b>	Alarm Output	Alarm Output	Alarm Output	Alarm Output
<b>Order no.</b>	08369614000	08369614300	08369614400	08369614700
<b>Output Function</b>	NPN	NPN	PNP	PNP
<b>Connection</b>	2m Cable	Connector M8	2m Cable	Connector M8



**Retro-Reflectiv Mode  
Clear-Glass-Detection**

Operation only with  
corresponding amplifier.



<b>Type</b>
<b>Order no. (Match-Code)</b>
<b>Light</b>
<b>Sensing Distance to Reflector</b>
<b>with Polarizing Filter <sup>1)</sup> or <sup>2)</sup></b>

<b>KORS1500-Q6MB17-X0301 RL</b>
<b>08361600400 (9960-0400)</b>
Red Light 660 nm
<sup>1)</sup> 1500 mm / <sup>2)</sup> 500 mm


<b>Type</b>
<b>Order no. (Match-Code)</b>



<b>Type</b>
<b>Order no. (Match-Code)</b>



<b>Housing Material</b>
<b>Mounting</b>
<b>Connection</b>
<b>Type of Protection</b>
<b>Ambient Temperature</b>

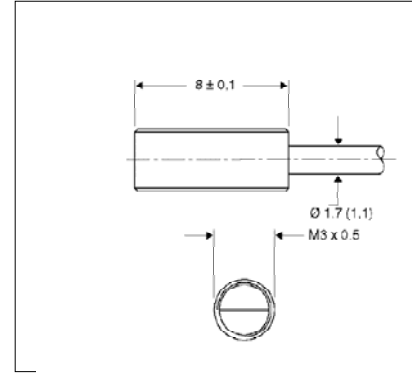
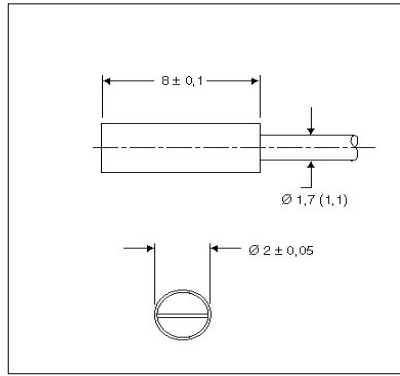
<b>Brass, nickel plated</b>
for Screw Mounting
1m PUR-Cable with Connector
IP 65
-10°C bis +55°C


	<b>Amplifier Switchable</b>	<sup>1)</sup> <b>Standard Solution</b>	<sup>2)</sup> <b>High Solution</b>	
<b>Order no.</b>	08369614100	08369614200	08369614500	08369614600
<b>Output Function</b>	NPN	NPN	PNP	PNP
<b>Connection</b>	Connector M12	Connector M8	Connector M12	Connector M8
<b>Specials</b>	Alarm Output	Alarm Output	Alarm Output	Alarm Output
<b>Order no.</b>	08369614000	08369614300	08369614400	08369614700
<b>Output Function</b>	NPN	NPN	PNP	PNP
<b>Connection</b>	2m Cable	Connector M8	2m Cable	Connector M8



**Convergent Mode**

Operation only with corresponding amplifier.



<b>Type</b>
<b>Order no. (Match-Code)</b>
<b>Light</b>
<b>Sensing Distance <sup>1)</sup> or <sup>2)</sup></b>
<b>Sensing Distance to Reflector <sup>1)</sup> or <sup>2)</sup></b>

<b>KORT12-G2EB8-X0301 IR</b>
<b>08361601100 (9960-1100)</b>
Infrared Light 880 nm
<sup>1)</sup> 12 mm / <sup>2)</sup> 3 mm
<sup>1)</sup> 250 mm / <sup>2)</sup> 80 mm

<b>KORT12-M3MB8-X0301 IR</b>
<b>08361601200 (9960-1200)</b>
Infrared Light 880 nm
<sup>1)</sup> 12 mm / <sup>2)</sup> 3 mm
<sup>1)</sup> 250 mm / <sup>2)</sup> 80 mm

<b>Type</b>
<b>Order no. (Match-Code)</b>



<b>Type</b>
<b>Order no. (Match-Code)</b>



<b>Housing Material</b>
<b>Mounting</b>
<b>Connection</b>
<b>Type of Protection</b>
<b>Ambient Temperature</b>

<b>Stainless Steel</b>
for Adhesion or Clamp Mounting
1m PUR-Cable with Connector
IP 65
-10°C bis +55°C

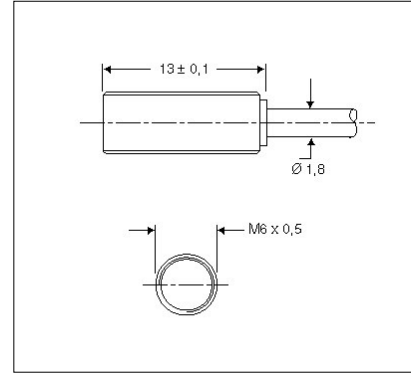
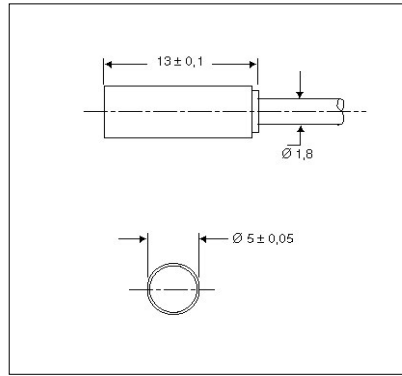
<b>Brass, nickel plated</b>
for Screw Mounting
1m PUR-Cable with Connector
IP 65
-10°C bis +55°C

	Amplifier Switchable		<sup>1)</sup> Standard Solution	<sup>2)</sup> High Solution
<b>Order no.</b>	08369614100	08369614200	08369614500	08369614600
<b>Output Function</b>	NPN	NPN	PNP	PNP
<b>Connection</b>	Connector M12	Connector M8	Connector M12	Connector M8
<b>Specials</b>	Alarm Output	Alarm Output	Alarm Output	Alarm Output
<b>Order no.</b>	08369614000	08369614300	08369614400	08369614700
<b>Output Function</b>	NPN	NPN	PNP	PNP
<b>Connection</b>	2m Cable	Connector M8	2m Cable	Connector M8



**Convergent Mode**

Operation only with corresponding amplifier.



<b>Type</b>
<b>Order no. (Match-Code)</b>
<b>Light</b>
<b>Sensing Distance <sup>1)</sup> or <sup>2)</sup></b>
<b>Sensing Distance to Reflector <sup>1)</sup> or <sup>2)</sup></b>

<b>KORT60-G5EB13-X0301 IR</b>
<b>08361601300 (9960-1300)</b>
Infrared Light 880 nm
<sup>1)</sup> 60 mm / <sup>2)</sup> 15 mm
<sup>1)</sup> 800 mm / <sup>2)</sup> 200 mm

<b>KORT60-M6MB13-X0301 IR</b>
<b>08361601600 (9960-1600)</b>
Infrared Light 880 nm
<sup>1)</sup> 60 mm / <sup>2)</sup> 15 mm
<sup>1)</sup> 800 mm / <sup>2)</sup> 200 mm

<b>Type</b>
<b>Order no. (Match-Code)</b>
<b>Light</b>
<b>Sensing Distance <sup>1)</sup> or <sup>2)</sup></b>
<b>Sensing Distance to Reflector <sup>1)</sup> or <sup>2)</sup></b>

<b>KORT60-M5EB13-X0301 RL</b>
<b>08361601400 (9960-1400)</b>
Red Light 660 nm
<sup>1)</sup> 60 mm / <sup>2)</sup> 15 mm
<sup>1)</sup> 800 mm / <sup>2)</sup> 200 mm

<b>KORT60-M6MB13-X0301 RL</b>
<b>08361601700 (9960-1700)</b>
Red Light 660 nm
<sup>1)</sup> 60 mm / <sup>2)</sup> 15 mm
<sup>1)</sup> 800 mm / <sup>2)</sup> 200 mm

<b>Type</b>
<b>Order no. (Match-Code)</b>
<b>Light</b>
<b>Sensing Distance <sup>1)</sup> or <sup>2)</sup></b>
<b>Sensing Distance to Reflector <sup>1)</sup> or <sup>2)</sup></b>

<b>KORT100-G5EB13-X0301 IR</b>
<b>08361601500 (9960-1500)</b>
Infrared Light 880 nm
<sup>1)</sup> 100 mm / <sup>2)</sup> 25 mm
<sup>1)</sup> 1200 mm / <sup>2)</sup> 300 mm

<b>KORT100-M6MB13-X0301 IR</b>
<b>08361601800 (9960-1800)</b>
Infrared Light 880 nm
<sup>1)</sup> 100 mm / <sup>2)</sup> 25 mm
<sup>1)</sup> 1200 mm / <sup>2)</sup> 300 mm

<b>Housing Material</b>
<b>Mounting</b>
<b>Connection</b>
<b>Type of Protection</b>
<b>Ambient Temperature</b>

<b>Stainless Steel</b>
for Adhesion or Clamp Mounting
1m PUR-Cable with Connector
IP 65
-10°C bis +55°C

<b>Brass, nickel plated</b>
for Screw Mounting
1m PUR-Cable with Connector
IP 65
-10°C bis +55°C

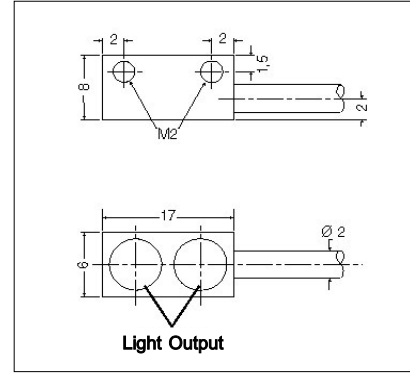
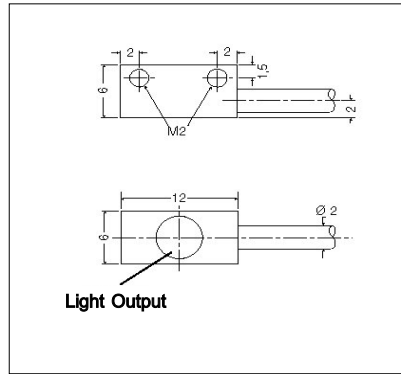
	Amplifier Switchable		<sup>1)</sup> Standard Solution	<sup>2)</sup> High Solution
<b>Order no.</b>	08369614100	08369614200	08369614500	08369614600
<b>Output Function</b>	NPN	NPN	PNP	PNP
<b>Connection</b>	Connector M12	Connector M8	Connector M12	Connector M8
<b>Specials</b>	Alarm Output	Alarm Output	Alarm Output	Alarm Output
<b>Order no.</b>	08369614000	08369614300	08369614400	08369614700
<b>Output Function</b>	NPN	NPN	PNP	PNP
<b>Connection</b>	2m Cable	Connector M8	2m Cable	Connector M8





**Convergent Mode**

Operation only with corresponding amplifier.



<b>Type</b>
<b>Order no. (Match-Code)</b>
<b>Light</b>
<b>Sensing Distance <sup>1)</sup> or <sup>2)</sup></b>
<b>Sensing Distance to Reflector <sup>1)</sup> or <sup>2)</sup></b>

<b>KORT60-Q6MB12-X0301 IR</b>
<b>08361600000 (9860-0000)</b>
Infrared 880 nm
<sup>1)</sup> 60 mm / <sup>2)</sup> 15 mm
<sup>1)</sup> 800 mm / <sup>2)</sup> 200 mm

<b>KORT200-Q6MB17-X0301 IR</b>
<b>08361600300 (9860-0300)</b>
Infrared 880 nm
<sup>1)</sup> 60 mm / <sup>2)</sup> 15 mm
<sup>1)</sup> 3000 mm / <sup>2)</sup> 700 mm

<b>Type</b>
<b>Order no. (Match-Code)</b>
<b>Light</b>
<b>Sensing Distance <sup>1)</sup> or <sup>2)</sup></b>
<b>Sensing Distance to Reflector <sup>1)</sup> or <sup>2)</sup></b>

<b>KORT60-Q6MB12-X0301 RL</b>
<b>08361600100 (9860-0100)</b>
Red Light 660 nm
<sup>1)</sup> 60 mm / <sup>2)</sup> 15 mm
<sup>1)</sup> 800 mm / <sup>2)</sup> 200 mm


<b>Type</b>
<b>Order no. (Match-Code)</b>
<b>Light</b>
<b>Sensing Distance <sup>1)</sup> or <sup>2)</sup></b>
<b>Sensing Distance to Reflector <sup>1)</sup> or <sup>2)</sup></b>

<b>KORT100-Q6MB12-X0301 IR</b>
<b>08361600200 (9860-0200)</b>
Infrared Light 880 nm
<sup>1)</sup> 100 mm / <sup>2)</sup> 25 mm
<sup>1)</sup> 1200 mm / <sup>2)</sup> 300 mm


<b>Housing Material</b>
<b>Mounting</b>
<b>Connection</b>
<b>Type of Protection</b>
<b>Ambient Temperature</b>

<b>Brass, nickel plated</b>
for Screw Mounting
1m PUR-Cable with Connector
IP 65
-10°C bis +55°C

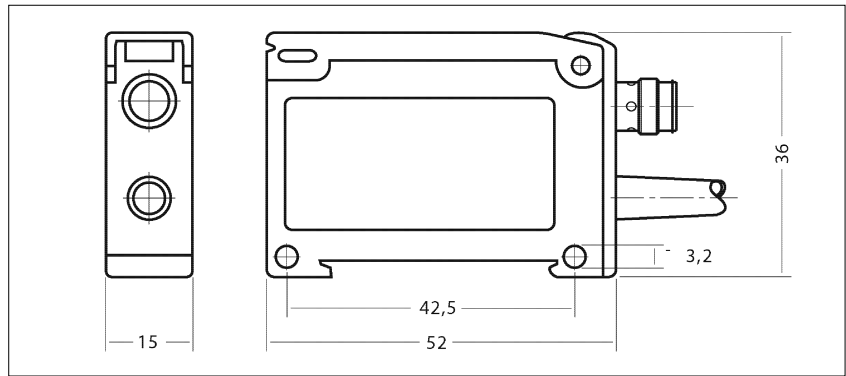

	<b>Amplifier Switchable</b>	<sup>1)</sup> <b>Standard Solution</b>	<sup>2)</sup> <b>High Solution</b>	
<b>Order no.</b>	<b>08369614100</b>	<b>08369614200</b>	<b>08369614500</b>	<b>08369614600</b>
<b>Output Function</b>	NPN	NPN	PNP	PNP
<b>Connection</b>	Connector M12	Connector M8	Connector M12	Connector M8
<b>Specials</b>	Alarm Output	Alarm Output	Alarm Output	Alarm Output
<b>Order no.</b>	<b>08369614000</b>	<b>08369614300</b>	<b>08369614400</b>	<b>08369614700</b>
<b>Output Function</b>	NPN	NPN	PNP	PNP
<b>Connection</b>	2m Cable	Connector M8	2m Cable	Connector M8

**Amplifier for optical Mini-Sensors**



Operation with corresponding sensors.

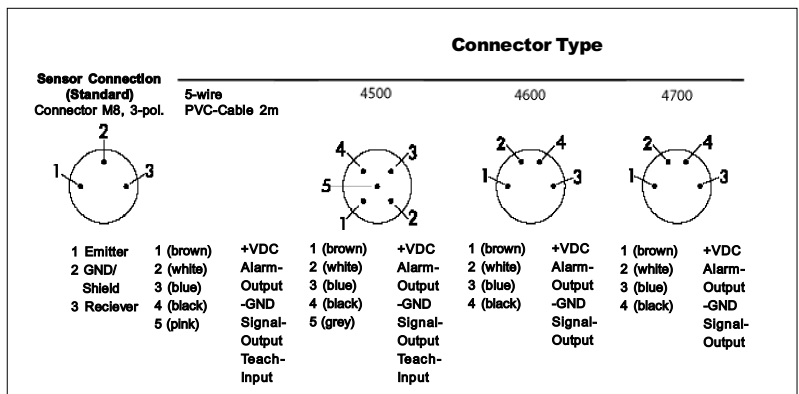
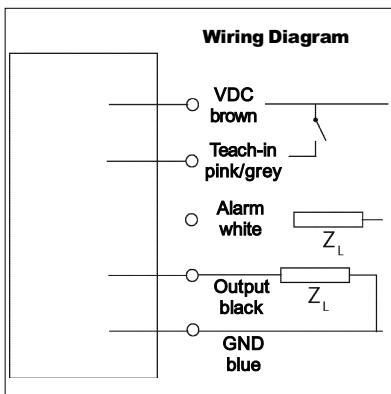
<b>Operating Voltage</b>	<b>U<sub>b</sub></b>
<b>Output Current</b>	<b>I<sub>o</sub></b>
<b>Limiting Frequency</b>	
<b>Principle of Operation</b>	
<b>Pulse Extention</b>	
<b>Adjustment</b>	
<b>Function / Operating Indicator</b>	
<b>Operating Status</b>	
<b>Housing Material / Weight</b>	
<b>Ambient Temperature</b>	
<b>Type of Protection</b>	
<b>Current Consumption (no load)</b>	
<b>Mounting</b>	
<b>Order no.</b>	
<b>Output Function</b>	
<b>Connection</b>	
<b>Specials</b>	
<b>Order no.</b>	
<b>Output Function</b>	
<b>Connection</b>	



**General Specification of the Following Amplifier**

<b>Operating Voltage</b>	<b>10 ... +30 VDC</b>
<b>Output Current</b>	<b>100 mA, Short Circuit Protection</b>
<b>Limiting Frequency</b>	<b>500 Hz</b>
<b>Principle of Operation</b>	<b>Switched</b>
<b>Pulse Extention</b>	<b>0 ms, 10 ms, 20 ms, 50 ms, 100 ms oder 200 ms Selectable</b>
<b>Adjustment</b>	<b>Teach-Input</b>
<b>Function / Operating Indicator</b>	<b>yellow and red LED's</b>
<b>Operating Status</b>	<b>LED green</b>
<b>Housing Material / Weight</b>	<b>Plastic ABS, 55g</b>
<b>Ambient Temperature</b>	<b>-10 ... +55 °C</b>
<b>Type of Protection</b>	<b>IP 65</b>
<b>Current Consumption (no load)</b>	<b>max. 50 mA</b>
<b>Mounting</b>	<b>DIN - Rail</b>

<b>Order no.</b>	<b>08369614100</b>	<b>08369614200</b>	<b>08369614500</b>	<b>08369614600</b>
<b>Output Function</b>	<b>NPN</b>	<b>NPN</b>	<b>PNP</b>	<b>PNP</b>
<b>Connection</b>	<b>Connector M12</b>	<b>Connector M8</b>	<b>Connector M12</b>	<b>Connector M8</b>
<b>Specials</b>	<b>Alarm Output</b>	<b>Alarm Output</b>	<b>Alarm Output</b>	<b>Alarm Output</b>
<b>Order no.</b>	<b>08369614000</b>	<b>08369614300</b>	<b>08369614400</b>	<b>08369614700</b>
<b>Output Function</b>	<b>NPN</b>	<b>NPN</b>	<b>PNP</b>	<b>PNP</b>
<b>Connection</b>	<b>2m Cable</b>	<b>Connector M8</b>	<b>2m Cable</b>	<b>Connector M8</b>



A large empty rectangular box with a black border, intended for taking notes.

## Table of Contents

---

<b>Type</b>	<b>Art-Nr.</b>	<b>Site</b>
<b><u>Opposed Mode</u></b>		
KOES300-G2EB8-X0301 IR	08363602000	3
KOES300-G2EB8-X0301 RL	08363602100	3
KOES800-G2EB8-X0301 IR	08363602200	3
KOES300-M3MB8-X0301 IR	08363102300	3
KOES300-M3MB8-X0301 RL	08363102400	3
KOES800-M3MB8-X0301 IR	08363102500	3
KOES1000-G4EB11-X0301 IR	08363602600	4
KOES2000-G4EB11-X0301 IR	08363602700	4
KOES1000-M5MB11-X0301 IR	08363602800	4
KOES2000-M5MB11-X0301 IR	08363602900	4
KOES1000-Q6MB12-X0301 IR	08363600500	5
KOES2000-Q6MB12-X0301 IR	08363600600	5
KOES4000-Q6MB12-X0301 IR	08363600700	5
KOES4000-G5EB13-X0301 IR	08363603000	6
KOES4000-M6EM13-X0301 IR	08363603100	6
<b><u>Retro-Reflectiv Mode for Clear-Glass-Detection</u></b>		
KORS1500-Q6MB17-X0301 RL	08361600400	7
<b><u>Convergent Mode</u></b>		
KORT12-G2EB8-X0301 IR	08361601100	8
KORT12-M3MB8-X0301 IR	08361601200	8
KORT60-G5EB13-X0301 IR	08361601300	9
KORT60-M5EB13-X0301 RL	08361601400	9
KORT100-G5EB13-X0301 IR	08361601500	9
KORT60-M6MB13-X0301 IR	08361601600	9
KORT60-M6MB13-X0301 RL	08361601700	9
KORT100-M6MB13-X0301 IR	08361601800	9
KORT60-Q6MB12-X0301 IR	08361600000	10
KORT60-Q6MB12-X0301 RL	08361600100	10
KORT100-Q6MB12-X0301 IR	08361600200	10
KORT200-Q6MB17-X0301 IR	08361600300	10
<b><u>Amplifier for optical Sensors</u></b>		11