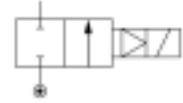


General information

Lucifer ref.: 321K31
 Global ref.: -
 Housing ref.: 8993
 Coil ref.: 488980
 Protection class: -
 Assembly wt. (g): 380

Body: Brass body
 Seat disc: NBR
 Ways notation: 2/2
 Valve function: Normally closed
 Valve actuation: Pilot operated
 Mounting: Pipe mounting



Specifications

Connection / Orifice

Port size (inches): 1/4
 Nom. dia. (mm): 12
 Orifice EXH. (mm): -

Flow factors

Qn (L/min): 2150
 Qn EXH. (L/min): -
 C (dm³/s bar): 7.6
 Kv (L/min): 30
 Kv EXH. (L/min): -
 Qmax (L/min): 30

Temperature values (°C)

a. Fluid temperatures

	Min.	Max.
With air:	-10	75
With water:	0	75
With steam:	-	-
With oil:	-10	75

Pressure values (Bar)

Min. pressure: 0.30
 Max. press. (DC): 7.00
 Max. press. (AC): 10.00

Power values (W)

Power DC: 2.5
 Power AC: 2

b. Ambient temperatures

Minimum: -10
 Maximum: 50

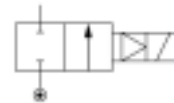
Dimension drawing

	A	B	C	D	E	F	G	H	I	J	Dia.
	inch	mm	mm	mm	mm	mm	mm	mm	mm	mm	mm
K31	1/4	25	50	6.2	26	27	5.5	81	39	61	40
K33	3/8	25	50	6.2	26	27	5.5	81	39	61	40
K35	1/2	27.5	55	6.2	26	27	5.5	81	39	61	40
K36	3/4	40	80	9	33.5	32	8	96.5	46	68.5	56
K37	1	42.5	85	14.2	33.5	41	8	96.5	56	68.5	56

General information

Lucifer ref.: 321K3106
 Global ref.: -
 Housing ref.: 8993
 Coil ref.: 488980
 Protection class: -
 Assembly wt. (g): 380

Body: Brass body
 Seat disc: FKM
 Ways notation: 2/2
 Valve function: Normally closed
 Valve actuation: Pilot operated
 Mounting: Pipe mounting



Specifications

Connection / Orifice

Port size (inches): 1/4
 Nom. dia. (mm): 12
 Orifice EXH. (mm): -

Flow factors

Qn (L/min): 2150
 Qn EXH. (L/min): -
 C (dm³/s bar): 7.6
 Kv (L/min): 30
 Kv EXH. (L/min): -
 Qmax (L/min): 30

Temperature values (°C)

a. Fluid temperatures

	Min.	Max.
With air:	-10	75
With water:	0	75
With steam:	-	-
With oil:	-10	75

Pressure values (Bar)

Min. pressure: 0.30
 Max. press. (DC): 7.00
 Max. press. (AC): 10.00

Power values (W)

Power DC: 2.5
 Power AC: 2

b. Ambient temperatures

Minimum: -10
 Maximum: 50

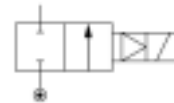
Dimension drawing

	A	B	C	D	E	F	G	H	I	J	Dia.
	inch	mm	mm	mm	mm	mm	mm	mm	mm	mm	mm
K31	1/4	25	50	6.2	26	27	5.5	81	39	61	40
K33	3/8	25	50	6.2	26	27	5.5	81	39	61	40
K35	1/2	27.5	55	6.2	26	27	5.5	81	39	61	40
K36	3/4	40	80	9	33.5	32	8	96.5	46	68.5	56
K37	1	42.5	85	14.2	33.5	41	8	96.5	56	68.5	56

General information

Lucifer ref.: 321K33
 Global ref.: -
 Housing ref.: 8993
 Coil ref.: 488980
 Protection class: -
 Assembly wt. (g): 380

Body: Brass body
 Seat disc: NBR
 Ways notation: 2/2
 Valve function: Normally closed
 Valve actuation: Pilot operated
 Mounting: Pipe mounting



Specifications

Connection / Orifice

Port size (inches): 3/8
 Nom. dia. (mm): 12
 Orifice EXH. (mm): -

Flow factors

Qn (L/min): 3050
 Qn EXH. (L/min): -
 C (dm³/s bar): 10.8
 Kv (L/min): 45
 Kv EXH. (L/min): -
 Qmax (L/min): 45

Temperature values (°C)

a. Fluid temperatures

	Min.	Max.
With air:	-10	75
With water:	0	75
With steam:	-	-
With oil:	-10	75

Pressure values (Bar)

Min. pressure: 0.30
 Max. press. (DC): 7.00
 Max. press. (AC): 10.00

Power values (W)

Power DC: 2.5
 Power AC: 2

b. Ambient temperatures

Minimum: -10
 Maximum: 50

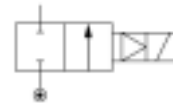
Dimension drawing

	A	B	C	D	E	F	G	H	I	J	Dia.
	inch	mm	mm	mm	mm	mm	mm	mm	mm	mm	mm
K31	1/4	25	50	6.2	26	27	5.5	81	39	61	40
K33	3/8	25	50	6.2	26	27	5.5	81	39	61	40
K35	1/2	27.5	55	6.2	26	27	5.5	81	39	61	40
K36	3/4	40	80	9	33.5	32	8	96.5	46	68.5	56
K37	1	42.5	85	14.2	33.5	41	8	96.5	56	68.5	56

General information

Lucifer ref.: 321K3306
 Global ref.: -
 Housing ref.: 8993
 Coil ref.: 488980
 Protection class: -
 Assembly wt. (g): 380

Body: Brass body
 Seat disc: FKM
 Ways notation: 2/2
 Valve function: Normally closed
 Valve actuation: Pilot operated
 Mounting: Pipe mounting



Specifications

Connection / Orifice

Port size (inches): 3/8
 Nom. dia. (mm): 12
 Orifice EXH. (mm): -

Flow factors

Qn (L/min): 3050
 Qn EXH. (L/min): -
 C (dm³/s bar): 10.8
 Kv (L/min): 45
 Kv EXH. (L/min): -
 Qmax (L/min): 45

Temperature values (°C)

a. Fluid temperatures

	Min.	Max.
With air:	-10	75
With water:	0	75
With steam:	-	-
With oil:	-10	75

Pressure values (Bar)

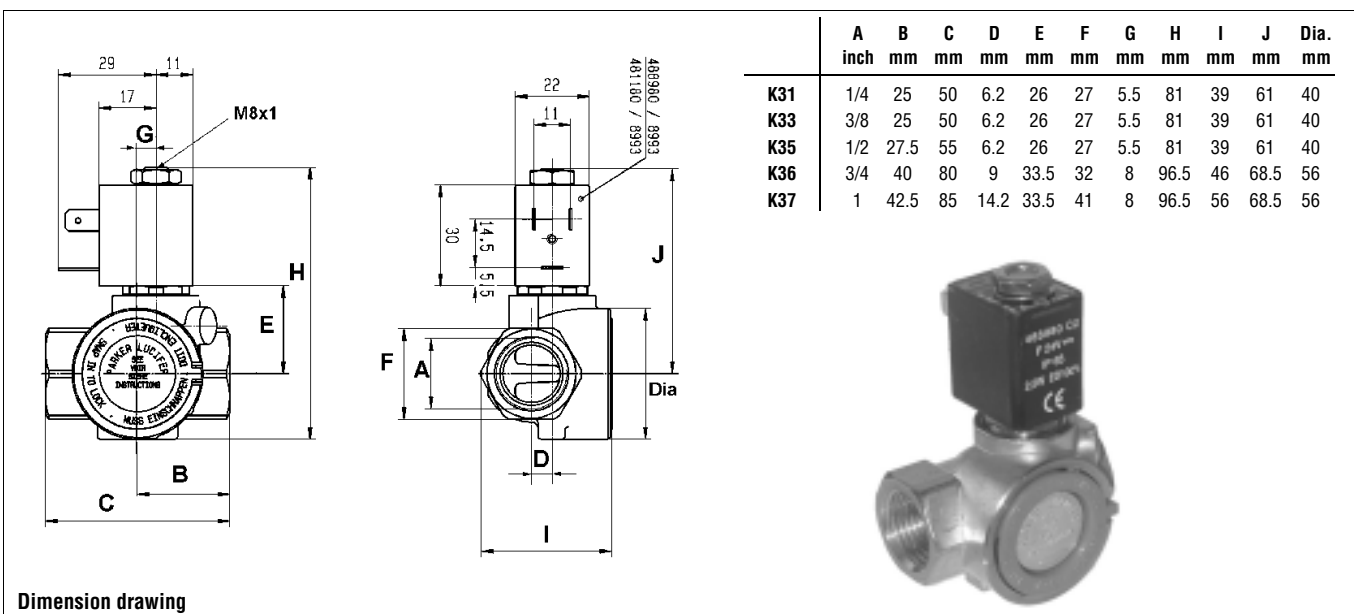
Min. pressure: 0.30
 Max. press. (DC): 7.00
 Max. press. (AC): 10.00

Power values (W)

Power DC: 2.5
 Power AC: 2

b. Ambient temperatures

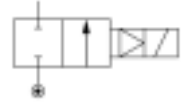
Minimum: -10
 Maximum: 50



General information

Lucifer ref.: 321K35
 Global ref.: -
 Housing ref.: 8993
 Coil ref.: 488980
 Protection class: -
 Assembly wt. (g): 380

Body: Brass body
 Seat disc: NBR
 Ways notation: 2/2
 Valve function: Normally closed
 Valve actuation: Pilot operated
 Mounting: Pipe mounting



Specifications

Connection / Orifice

Port size (inches): 1/2
 Nom. dia. (mm): 12
 Orifice EXH. (mm): -

Flow factors

Qn (L/min): 3400
 Qn EXH. (L/min): -
 C (dm³/s bar): 12
 Kv (L/min): 50
 Kv EXH. (L/min): -
 Qmax (L/min): 50

Temperature values (°C)

a. Fluid temperatures

	Min.	Max.
With air:	-10	75
With water:	0	75
With steam:	-	-
With oil:	-10	75

Pressure values (Bar)

Min. pressure: 0.30
 Max. press. (DC): 7.00
 Max. press. (AC): 10.00

Power values (W)

Power DC: 2.5
 Power AC: 2

b. Ambient temperatures

Minimum: -10
 Maximum: 50

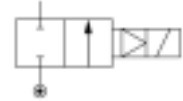
Dimension drawing

	A	B	C	D	E	F	G	H	I	J	Dia.
	inch	mm	mm	mm	mm	mm	mm	mm	mm	mm	mm
K31	1/4	25	50	6.2	26	27	5.5	81	39	61	40
K33	3/8	25	50	6.2	26	27	5.5	81	39	61	40
K35	1/2	27.5	55	6.2	26	27	5.5	81	39	61	40
K36	3/4	40	80	9	33.5	32	8	96.5	46	68.5	56
K37	1	42.5	85	14.2	33.5	41	8	96.5	56	68.5	56

General information

Lucifer ref.: 321K3506
 Global ref.: -
 Housing ref.: 8993
 Coil ref.: 488980
 Protection class: -
 Assembly wt. (g): 380

Body: Brass body
 Seat disc: FKM
 Ways notation: 2/2
 Valve function: Normally closed
 Valve actuation: Pilot operated
 Mounting: Pipe mounting



Specifications

Connection / Orifice

Port size (inches): 1/2
 Nom. dia. (mm): 12
 Orifice EXH. (mm): -

Flow factors

Qn (L/min): 3400
 Qn EXH. (L/min): -
 C (dm³/s bar): 12
 Kv (L/min): 50
 Kv EXH. (L/min): -
 Qmax (L/min): 50

Temperature values (°C)

a. Fluid temperatures

	Min.	Max.
With air:	-10	75
With water:	0	75
With steam:	-	-
With oil:	-10	75

Pressure values (Bar)

Min. pressure: 0.30
 Max. press. (DC): 7.00
 Max. press. (AC): 10.00

Power values (W)

Power DC: 2.5
 Power AC: 2

b. Ambient temperatures

Minimum: -10
 Maximum: 50

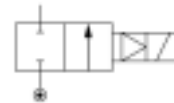
Dimension drawing

	A	B	C	D	E	F	G	H	I	J	Dia.
	inch	mm	mm	mm	mm	mm	mm	mm	mm	mm	mm
K31	1/4	25	50	6.2	26	27	5.5	81	39	61	40
K33	3/8	25	50	6.2	26	27	5.5	81	39	61	40
K35	1/2	27.5	55	6.2	26	27	5.5	81	39	61	40
K36	3/4	40	80	9	33.5	32	8	96.5	46	68.5	56
K37	1	42.5	85	14.2	33.5	41	8	96.5	56	68.5	56

General information

Lucifer ref.: 321K36
 Global ref.: -
 Housing ref.: 8993
 Coil ref.: 488980
 Protection class: -
 Assembly wt. (g): 590

Body: Brass body
 Seat disc: NBR
 Ways notation: 2/2
 Valve function: Normally closed
 Valve actuation: Pilot operated
 Mounting: Pipe mounting



Specifications

Connection / Orifice

Port size (inches): 3/4
 Nom. dia. (mm): 18
 Orifice EXH. (mm): -

Flow factors

Qn (L/min): 9400
 Qn EXH. (L/min): -
 C (dm³/s bar): 33
 Kv (L/min): 100
 Kv EXH. (L/min): -
 Qmax (L/min): 100

Temperature values (°C)

a. Fluid temperatures

	Min.	Max.
With air:	-10	75
With water:	0	75
With steam:	-	-
With oil:	-10	75

Pressure values (Bar)

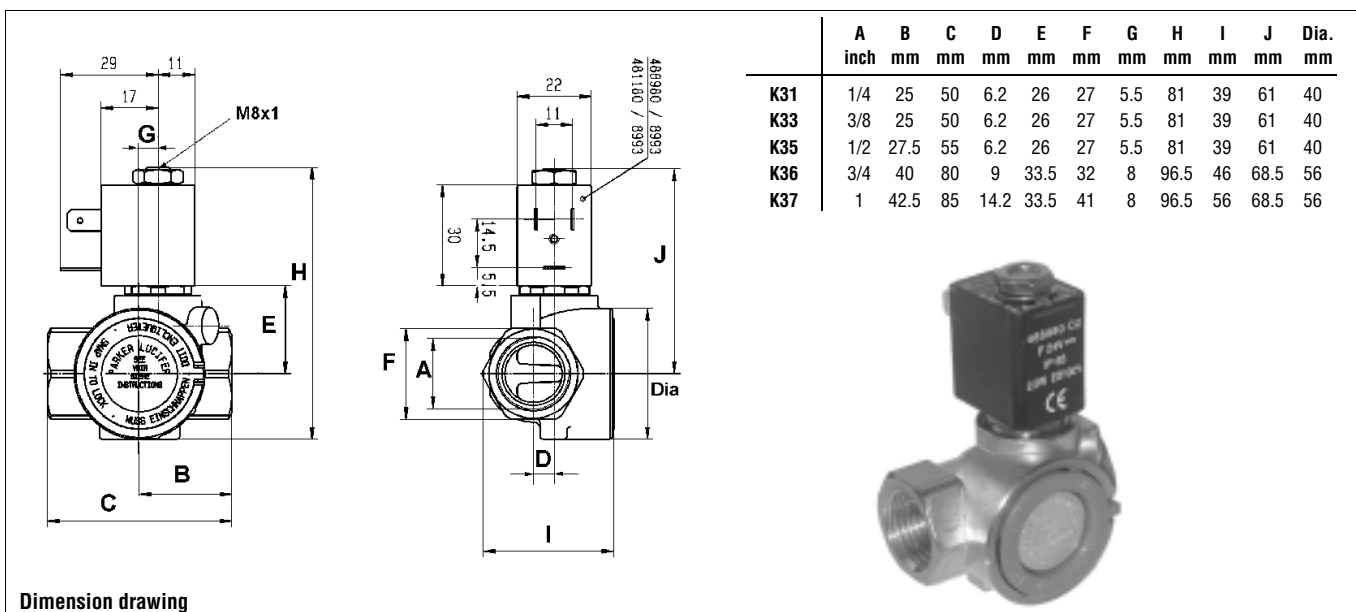
Min. pressure: 0.30
 Max. press. (DC): 7.00
 Max. press. (AC): 10.00

Power values (W)

Power DC: 2.5
 Power AC: 2

b. Ambient temperatures

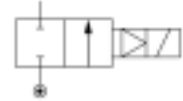
Minimum: -10
 Maximum: 50



General information

Lucifer ref.: 321K3606
 Global ref.: -
 Housing ref.: 8993
 Coil ref.: 488980
 Protection class: -
 Assembly wt. (g): 590

Body: Brass body
 Seat disc: FKM
 Ways notation: 2/2
 Valve function: Normally closed
 Valve actuation: Pilot operated
 Mounting: Pipe mounting



Specifications

Connection / Orifice

Port size (inches): 3/4
 Nom. dia. (mm): 18
 Orifice EXH. (mm): -

Flow factors

Qn (L/min): 9400
 Qn EXH. (L/min): -
 C (dm³/s bar): 33
 Kv (L/min): 100
 Kv EXH. (L/min): -
 Qmax (L/min): 100

Temperature values (°C)

a. Fluid temperatures

	Min.	Max.
With air:	-10	75
With water:	0	75
With steam:	-	-
With oil:	-10	75

Pressure values (Bar)

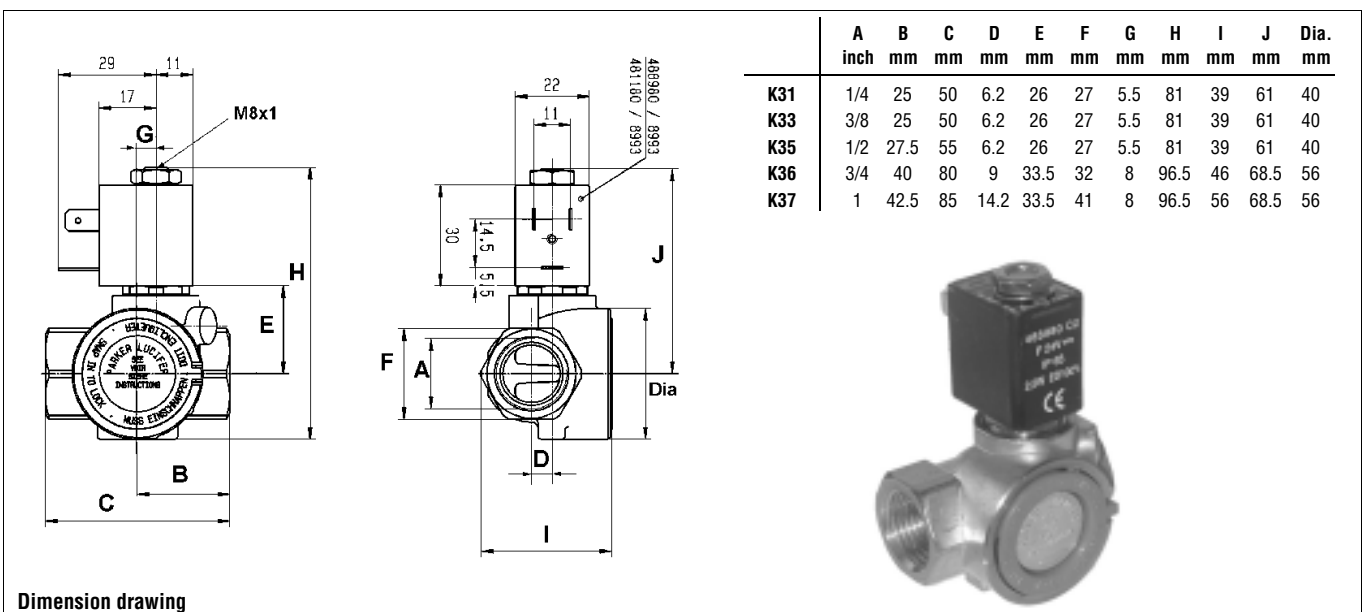
Min. pressure: 0.30
 Max. press. (DC): 7.00
 Max. press. (AC): 10.00

Power values (W)

Power DC: 2.5
 Power AC: 2

b. Ambient temperatures

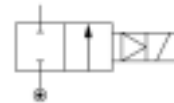
Minimum: -10
 Maximum: 50



General information

Lucifer ref.: 321K37
 Global ref.: -
 Housing ref.: 8993
 Coil ref.: 488980
 Protection class: -
 Assembly wt. (g): 735

Body: Brass body
 Seat disc: NBR
 Ways notation: 2/2
 Valve function: Normally closed
 Valve actuation: Pilot operated
 Mounting: Pipe mounting



Specifications

Connection / Orifice

Port size (inches): 1
 Nom. dia. (mm): 18
 Orifice EXH. (mm): -

Flow factors

Qn (L/min): 10150
 Qn EXH. (L/min): -
 C (dm³/s bar): 36
 Kv (L/min): 110
 Kv EXH. (L/min): -
 Qmax (L/min): 110

Temperature values (°C)

a. Fluid temperatures

	Min.	Max.
With air:	-10	75
With water:	0	75
With steam:	-	-
With oil:	-10	75

Pressure values (Bar)

Min. pressure: 0.30
 Max. press. (DC): 7.00
 Max. press. (AC): 10.00

Power values (W)

Power DC: 2.5
 Power AC: 2

b. Ambient temperatures

Minimum: -10
 Maximum: 50

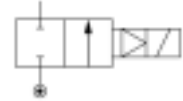
Dimension drawing

	A	B	C	D	E	F	G	H	I	J	Dia.
	inch	mm	mm	mm	mm	mm	mm	mm	mm	mm	mm
K31	1/4	25	50	6.2	26	27	5.5	81	39	61	40
K33	3/8	25	50	6.2	26	27	5.5	81	39	61	40
K35	1/2	27.5	55	6.2	26	27	5.5	81	39	61	40
K36	3/4	40	80	9	33.5	32	8	96.5	46	68.5	56
K37	1	42.5	85	14.2	33.5	41	8	96.5	56	68.5	56

General information

Lucifer ref.: 321K3706
 Global ref.: -
 Housing ref.: 8993
 Coil ref.: 488980
 Protection class: -
 Assembly wt. (g): 735

Body: Brass body
 Seat disc: FKM
 Ways notation: 2/2
 Valve function: Normally closed
 Valve actuation: Pilot operated
 Mounting: Pipe mounting



Specifications

Connection / Orifice

Port size (inches): 1
 Nom. dia. (mm): 18
 Orifice EXH. (mm): -

Flow factors

Qn (L/min): 10150
 Qn EXH. (L/min): -
 C (dm³/s bar): 36
 Kv (L/min): 110
 Kv EXH. (L/min): -
 Qmax (L/min): 110

Temperature values (°C)

a. Fluid temperatures

	Min.	Max.
With air:	-10	75
With water:	0	75
With steam:	-	-
With oil:	-10	75

Pressure values (Bar)

Min. pressure: 0.30
 Max. press. (DC): 7.00
 Max. press. (AC): 10.00

Power values (W)

Power DC: 2.5
 Power AC: 2

b. Ambient temperatures

Minimum: -10
 Maximum: 50

