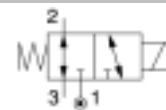


General information

Lucifer ref.: U133X5196 Note 1	Body: 316L Stainless Steel body
Global ref.: 7133XRN2VN96	Seat disc: NBR
Housing ref.: -	Ways notation: 3/2
Coil ref.: 492310 Note 2	Valve function: Universal
Protection class: EEx me II T4(T5)	Valve actuation: Direct operated
Assembly wt. (g): 1340	Mounting: Pipe mounting



Specifications

Connection / Orifice

Port size (inches): 1/4
 Nom. dia. (mm): 5
 Orifice EXH. (mm): -

Flow factors

Qn (L/min): 680
 Qn EXH. (L/min): -
 C (dm³/s bar): 2.4
 Kv (L/min): 9
 Kv EXH. (L/min): -
 Qmax (L/min): -

Temperature values (°C)

a. Fluid temperatures

	Min.	Max.
With air:	-25	65 (+40)
With water:	-	-
With steam:	-	-
With oil:	-	-

Pressure values (kPa)

Min. pressure: 0.00
 Max. press. (DC): 1000.00
 Max. press. (AC): 1000.00

Power values (W)

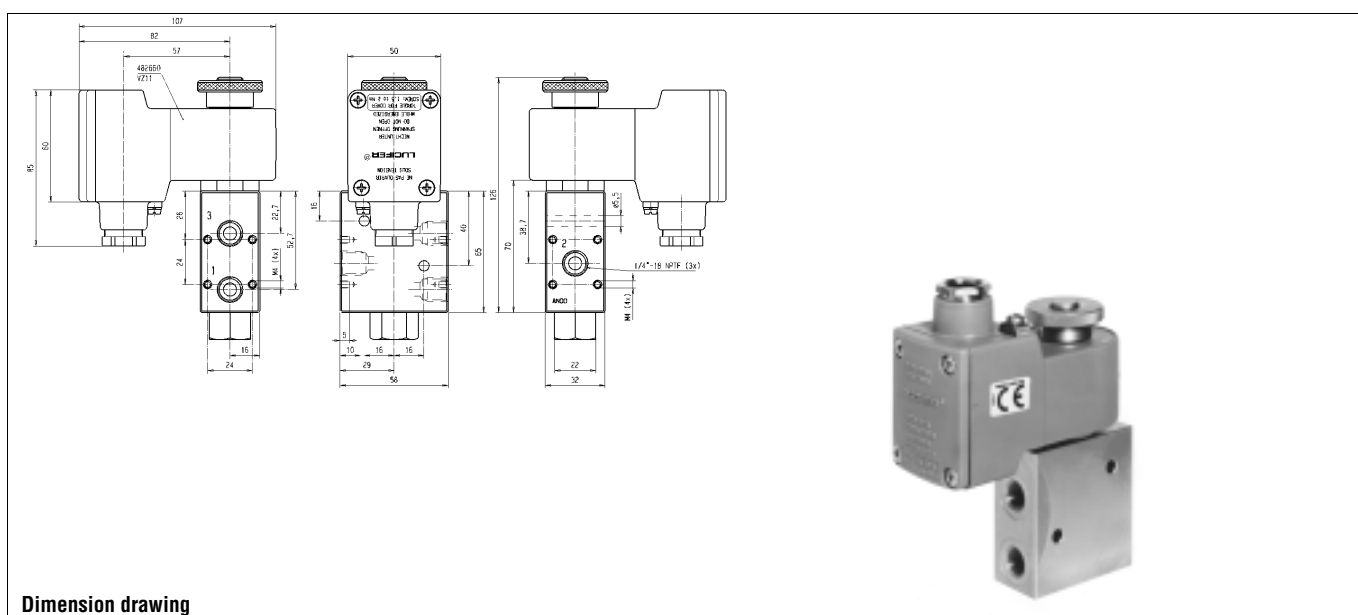
Power DC: 6
 Power AC: 6

b. Ambient temperatures

Minimum: -25
 Maximum: 65 (+40)

Notes

- Optional manual override available on request - change suffix 96 to 56
 Valve with NPT ports



Dimension drawing