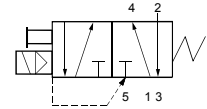


### General information

Lucifer ref.: 341N01 Note 1  
 Global ref.: 2341NAKBJNM1  
 Housing ref.: 8993  
 Coil ref.: 488980  
 Protection class: -  
 Assembly wt. (g): 320

Body: Anod. aluminium body  
 Seat disc: NBR  
 Ways notation: 3/2 or 5/2  
 Valve function: 3- or 4-way  
 Valve actuation: Pilot operated - Integrated pilot  
 Mounting: NAMUR interface



### Specifications

#### Connection / Orifice

Port size (inches): 1/4 - 1/8  
 Nom. dia. (mm): 4  
 Orifice EXH. (mm): -

#### Flow factors

Qn (L/min): 600  
 Qn EXH. (L/min): -  
 C (dm<sup>3</sup>/s bar): -  
 Kv (L/min): -  
 Kv EXH. (L/min): -  
 Qmax (L/min): -

#### Temperature values (°C)

##### a. Fluid temperatures

	Min.	Max.
With air:	-25	80
With water:	-	-
With steam:	-	-
With oil:	-	-

#### Pressure values (Bar)

Min. pressure: 2.00  
 Max. press. (DC): 10.00  
 Max. press. (AC): 10.00

#### Power values (W)

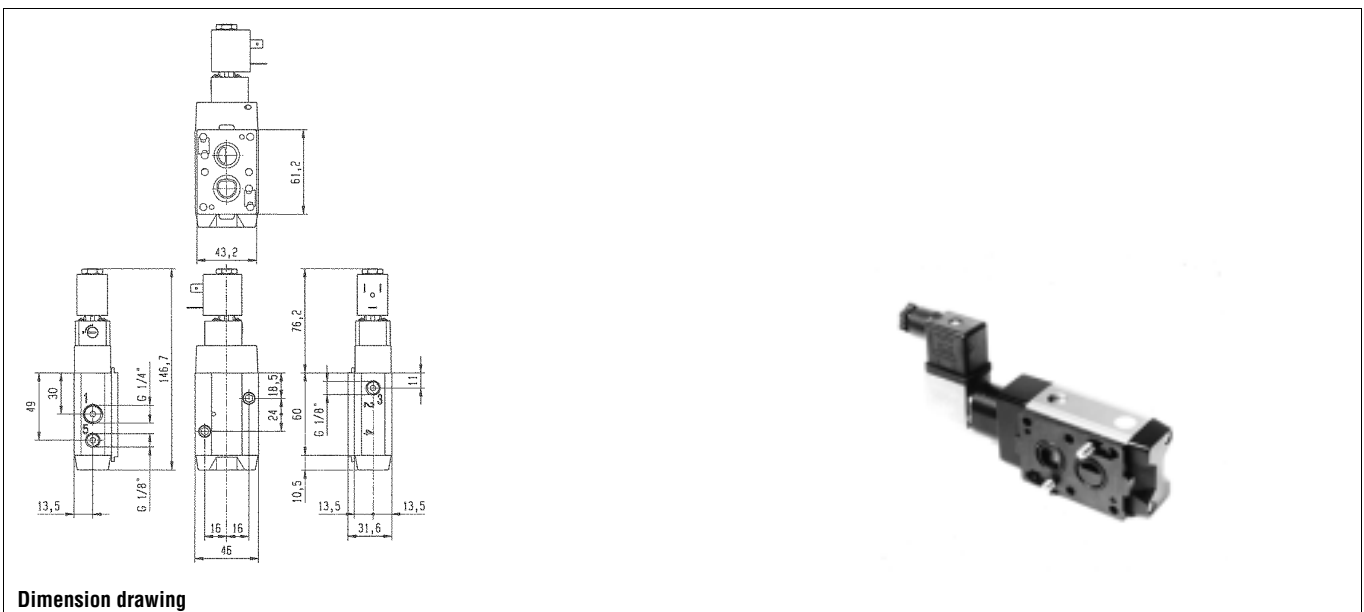
Power DC: 2.5  
 Power AC: 2

##### b. Ambient temperatures

Minimum: -25  
 Maximum: 50

### Notes

- 1 Manual override standard



Dimension drawing