

3.4 Increased safety electrical parts “me”:

3.4.1 Electrical parts 483371 or HZ06 and 494040 or HZ23

2



Application: Control of solenoid valves in dangerous areas where explosion-proof protection EEx me II T3 or T4 is required.

Benefits: Rotatable housing 360°, galvanized steel with internal and external screw terminals for earth connection.

Small size for ease of mounting in confined space. Simplifies conversion of existing equipment to hazardous area requirements.

All Lucifer valves suitable for standard 8 W DC or AC coils can be fitted with these electrical parts.

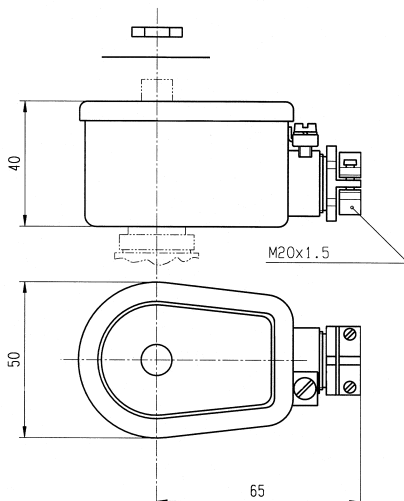


These electrical parts conform to the IEC/CENELEC safety standards and comply with European explosive atmosphere directive 94/9/EC «ATEX».

Reference		483371 or HZ06 * 483371.01 or HZ14	494040 or HZ23	
Approval		LCIE 02 ATEX 6011 X		LCIE 02 ATEX 6013 X
Type of protection	Gas	II 2 G - EEx me II T4	II 2 G - EEx me II T3	II 2 G - EEx me II T4
	Dust	II 2 D - 130°C	II 2 D - 195°C	II 2 D - 130°C
Degree of protection		IP67		IP67
Ambient temperature		-40°C to +65°C	-40°C to +90°C	-40°C to +65°C
The application is limited also by the temperature range of the valve				
Class of insulation		F (155°C)	H (180°C)	
Electrical connection		By special cable gland M20 x 1.5 EExe on screw terminals for wires up to 1.5 mm ² . Cables with outside diameter 6.5 to 13.5 mm can be simply sealed using the rubber gland with resilient sealing rings supplied.		
Elect. Power	DC	Pn (hot)	8 W	8 W
		P (cold) 20°C	9 W	9 W
	AC	Pn (holding)	8 W	8 W
		Attraction cold	32 VA (9 W)	32 VA (9 W)
Voltage / Voltage tolerance		see voltage code table / tolerance -10/ +10% of the nominal voltage		
Solenoid duty		Continuous duty solenoid (ED 100%)		

Weight: 320 g.

*483371.01 for CPR valves



Fuses:

Both electrical parts HZ06 and HZ23 have to be connected in series with a safety fuse according to IEC 60127-3.

HZ06:

DC: 12V, 1000mA, 24V, 400mA - 48V, 250mA - 110V, 100mA
 AC 50 Hz: 24V, 630mA - 48V, 315mA - 110V, 160mA - 220/230V, 80mA
 AC 60 Hz: 24V, 750mA - 110V, 160mA - 240V, 80mA

HZ23:

DC: 24V, 400mA - 48V, 250mA - 110V, 100mA, 220V, 63mA
 AC 50 Hz: 24V, 630mA - 48V, 315mA - 110/115V, 160mA - 220/230V, 80mA

3.4.2 Low power electrical part 491117 or VZ04

6



Application: Control of solenoid valves in dangerous areas where explosion-proof protection EEx me II T5 is required.

Benefits: Rotatable housing 360°, galvanized steel with internal and external screw terminals for earth connection.

Small size for ease of mounting in confined space. Simplifies conversion of existing equipment to hazardous area requirements.

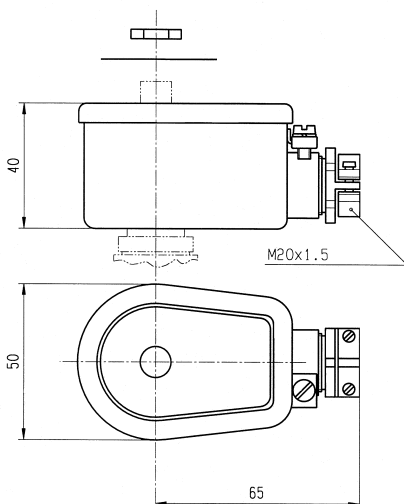
All Lucifer valves which are suitable for standard coils 2.5 WDC only can be fitted with this electrical part.



This electrical part conforms to the IEC/CENELEC safety standards and complies with European explosive atmosphere directive 94/9/EC «ATEX».

Reference		491117 or VZ04	
Approval		LCIE 02 ATEX 6012 X	
Type of protection	Gas	II 2 G - EEx me II T5	
	Dust	II 2 D - 95°C	
Degree of protection		IP67	
Ambient temperature		-40°C to +65°C The application is limited also by the temperature range of the valve	
Class of insulation		F (155°C)	
Electrical connection		By special cable gland M20 x 1.5 "EEx e" on screw terminals for wires up to 1.5 mm". Cables with outside diameter 6.5 mm to 13.5 mm can be simply sealed using the rubber gland with resilient sealing rings supplied.	
Elect. Power	DC	P_n (hot)	2.5 W
		P (cold) 20°C	3 W
	AC	P_n (holding)	-
		Attraction cold	-
Voltage / Voltage tolerance		see voltage code table / tolerance -10/ +10% of the nominal voltage	
Solenoid duty		Continuous duty solenoid (ED 100%)	

Weight: 320 g.

**Fuses:**

The electrical part VZ04 has to be connected in series with a safety fuse according to IEC 60127-3

VZ04:

DC: 24V, 160mA