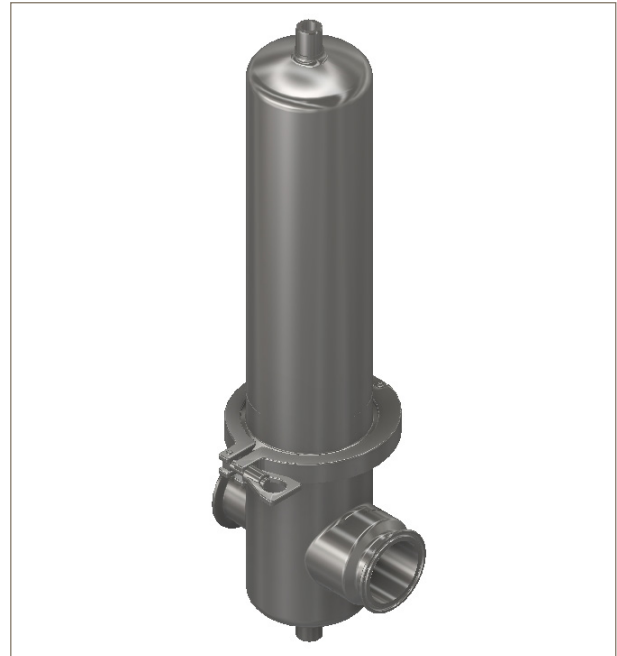




PHB Single and Demi Filter Housing

Air / gas filtration

- Flow efficient range of air / gas housings specifically designed for food and beverage applications
- Demi (TRUESEAL) and K-40" (226) housings
- Designed for gas filtration, includes plenum chamber for condensate handling
- Full material traceability
- Food grade compliance to EC1935/2004



Specifications

Materials of Construction

Housing: 316L/1.4404

Surface Finish

Internal Downstream: Mechanical polishing <math><0.8\mu\text{m Ra}</math>
External: Mechanical mirror polishing

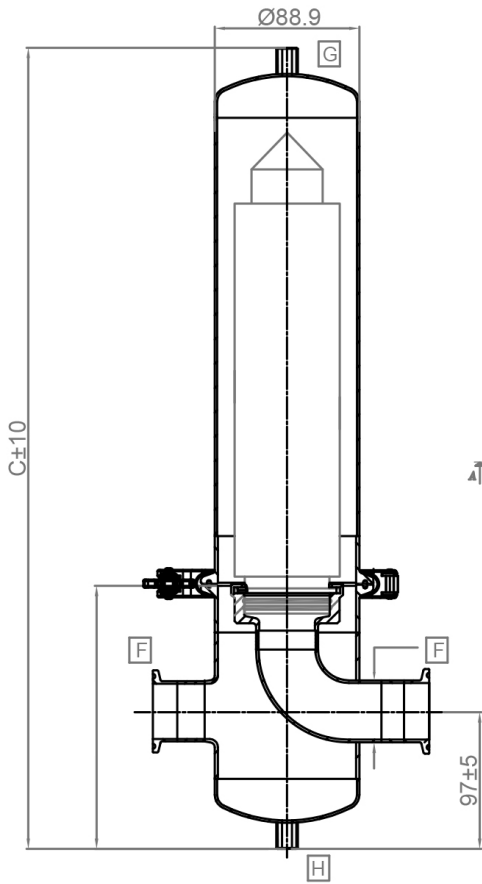
Cartridge Socket: C style (226), TRUESEAL
Number of Cartridges: 1

Technical Design Data

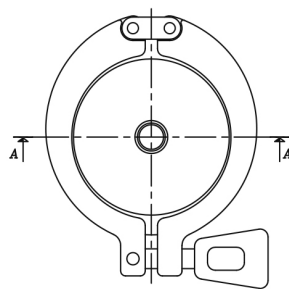
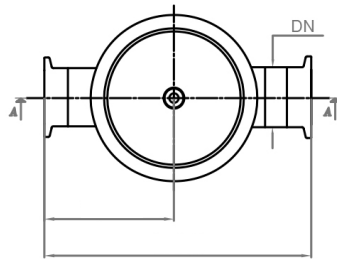
Design Code: PED 2014/68/EU
PED Category: Demi, K-20 - SEP (ART 4.3)
30" and 40" - CAT 1
PED Fluid Group: PHB Demi, Group 1&2
PHB K-40", Group 2 only
PED Fluid State: Gas
ATEX Regulation: Group 2, CAT 2, Gas & Dust
Fluid GR IIC, Zone 1 & 21
Design Pressure: -1 to 10 bar @ -20°C to 150°C

Certification: Supplied as standard with IOMI and vessel inspection certificate

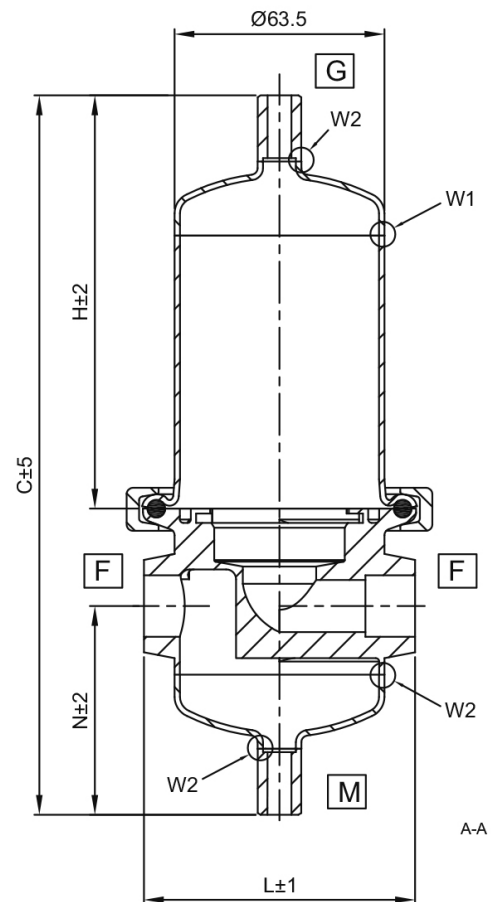
Dimensions



Model	K	10"	20"	30"	40"
Cartridges number x Height (inches)	0.1 x 05"	01 x 10"	01 x 20"	01 x 03"	01 x 40"
PED category	Art. 4.3	Art. 4.3	Art. 4.3	I	I
C mm (with vent)	380	500	750	1000	1250
Total vessel volume litres	2.2	3.0	4.0	6.0	7.0
Bowl weight kg	0.7	1.1	1.9	2.7	3.5
Total net weight kg	2.6	3.0	4.0	5.0	6.0
Total weight packed kg	3.6	4.0	5.0	6.0	7.0



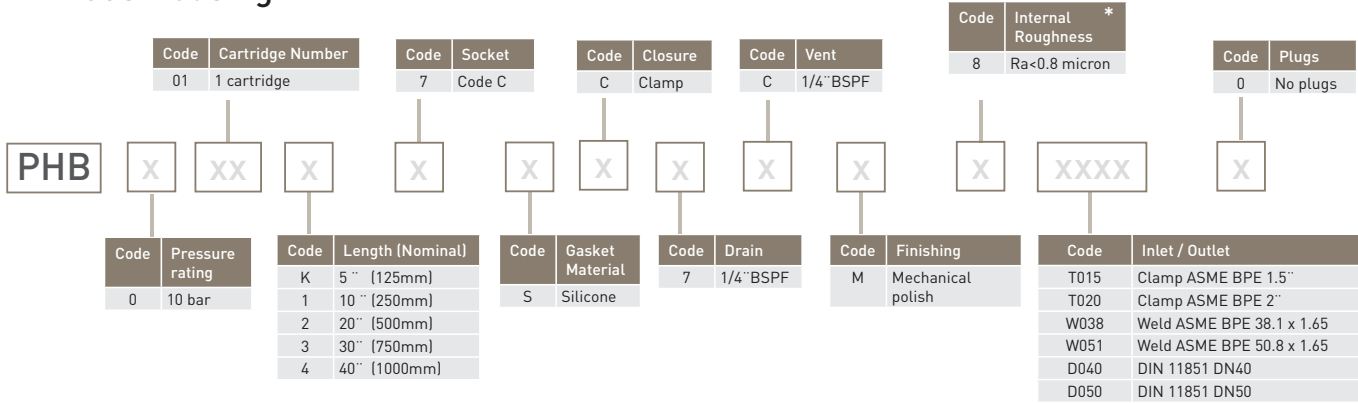
	Dimensional Data			
	BSPF 1/2"		BSPF 1.0"	
PED Category	Art 4.3		Art 4.3	
Cartridge height	2.5"	5"	2.5"	5"
C (mm)	198	254	212	268
H (mm)	111	167	111	167
N (mm)	59	59	67	67
L (mm)	82	82	92	92
Volume (Litres)	0.32	0.48	0.34	0.50



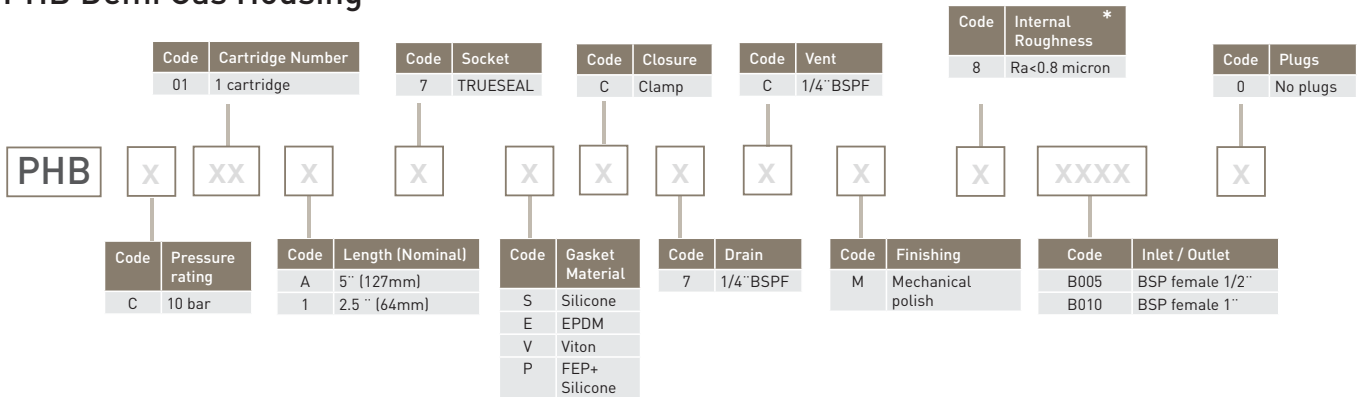
Parker has a continuous policy of product development and although the company reserves the right to change specifications, it attempts to keep customers informed of any alterations. This publication is for general information only and customers are requested to contact our sales department for detailed information and advice on a products suitability for specific applications. All products are sold subject to the company's standard of sale.

Ordering Information

PHB Gas Housing



PHB Demi Gas Housing



* Internal roughness 0.8µm Ra is guaranteed on downstream only.

Vent and drain plugs/blanks not supplied as standard, available as separate parts.



Parker has a continuous policy of product development and although the company reserves the right to change specifications, it attempts to keep customers informed of any alterations. This publication is for general information only and customers are requested to contact our sales department for detailed information and advice on a products suitability for specific applications. All products are sold subject to the company's standard of sale.