

- sanitary liquid



- Single element sanitary liquid housings
- Available in 3 different housing classes: Atex, CE and High Pressure
- Both beverage and pharmaceutical surface finishes available
- Wide range of connection, vent and drain options available



Specification

Materials of Construction

- Housing: 316L Stainless Steel
- Seals: EPDM FDA, PTFE FDA, Silicone FDA, Viton FDA

Surface Finish

- Beverage Finish: Polished 0.4 µm Ra
- Internal: Polished 0.25 µm Ra
- External:

Welding

All assembly welds are full penetration. All welds are crevice and undercut free. *(Weld finish & detail drawings available upon request.)*

Design Code

Housings designed in accordance with the European Council Pressure Equipment Directive (PED) 97/23/EC and the UK statutory Pressure Equipment Regulations (PER) 1999 N° 2001.

Design Basis

ASME VIII Division 1.
ATEX 94/9/EC (where applicable)

ATEX	Working Condition PED 97/23/EC	Maximum Pressure					
		01K	011	012	013	014	
Non Dangerous	Gas / Vapour	15,00 barg (145,00 psig)	15,00 barg (145,00 psig)	15,00 barg (145,00 psig)	15,00 barg (145,00 psig)	15,00 barg (145,00 psig)	
	Gas / Vapour	5,00 barg (47,50 psig)	5,00 barg (47,50 psig)	5,00 barg (47,50 psig)	5,00 barg (47,50 psig)	5,00 barg (47,50 psig)	
Dangerous	Gas / Vapour	15,00 barg (145,00 psig)	15,00 barg (145,00 psig)	15,00 barg (145,00 psig)	15,00 barg (145,00 psig)	15,00 barg (145,00 psig)	
	Liquid	10,00 barg (95,00 psig)	10,00 barg (95,00 psig)	10,00 barg (95,00 psig)	10,00 barg (95,00 psig)	10,00 barg (95,00 psig)	
Dangerous	Liquid	5,00 barg (47,50 psig)	5,00 barg (47,50 psig)	5,00 barg (47,50 psig)	5,00 barg (47,50 psig)	5,00 barg (47,50 psig)	
	Liquid	1,7	2,9	4,8	6,7	8,6	

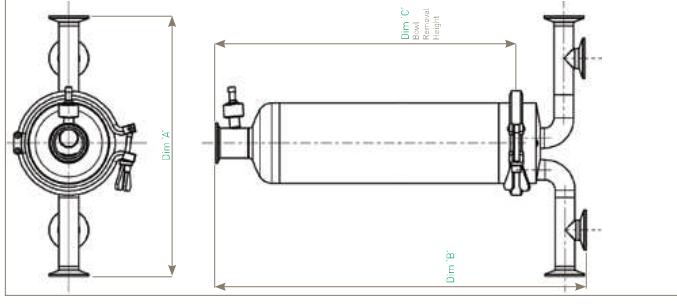
CE	Working Condition PED 97/23/EC	Maximum Pressure					
		01K	011	012	013	014	
Non Dangerous	Gas / Vapour	15,00 barg (145,00 psig)	15,00 barg (145,00 psig)	15,00 barg (145,00 psig)	15,00 barg (145,00 psig)	15,00 barg (145,00 psig)	
	Gas / Vapour	5,00 barg (47,50 psig)	5,00 barg (47,50 psig)	5,00 barg (47,50 psig)	5,00 barg (47,50 psig)	5,00 barg (47,50 psig)	
Dangerous	Gas / Vapour	15,00 barg (145,00 psig)	15,00 barg (145,00 psig)	15,00 barg (145,00 psig)	15,00 barg (145,00 psig)	15,00 barg (145,00 psig)	
	Liquid	10,00 barg (95,00 psig)	10,00 barg (95,00 psig)	10,00 barg (95,00 psig)	10,00 barg (95,00 psig)	10,00 barg (95,00 psig)	
Dangerous	Liquid	5,00 barg (47,50 psig)	5,00 barg (47,50 psig)	5,00 barg (47,50 psig)	5,00 barg (47,50 psig)	5,00 barg (47,50 psig)	
	Liquid	1,7	2,9	4,8	6,7	8,6	

High Pressure	Working Condition PED 97/23/EC	Maximum Pressure					
		01K	011	012	013	014	
Non Dangerous	Gas / Vapour	15,00 barg (145,00 psig)	15,00 barg (145,00 psig)	15,00 barg (145,00 psig)	15,00 barg (145,00 psig)	15,00 barg (145,00 psig)	
	Liquid	10,00 barg (95,00 psig)	10,00 barg (95,00 psig)	10,00 barg (95,00 psig)	10,00 barg (95,00 psig)	10,00 barg (95,00 psig)	
Dangerous	Liquid	5,00 barg (47,50 psig)	5,00 barg (47,50 psig)	5,00 barg (47,50 psig)	5,00 barg (47,50 psig)	5,00 barg (47,50 psig)	
	Liquid	1,7	2,9	4,8	6,7	8,6	

Physical Characteristics

Bowl Height	Dimensions (mm)			Typical Weight (kg)		
	A	B	C	Bowl	Head	Total
5" (125 mm)	330	321	194	0,9	1,9	3,3
10" (250 mm)	330	472	315	1,5	1,9	3,9
20" (500 mm)	330	722	561	2,5	1,9	4,9
30" (750 mm)	330	967	809	3,5	1,9	5,9
40" (1000 mm)	330	1217	1057	4,5	1,9	6,9

Dimensions shown are for a vessel with 1" clamp ports and inlet/outlet drains. For other formats, please contact Parkerdomnickhunter.



*Double bolted clamp required for HP and PTFE seal options

Ordering Information

HSL 01

AT	ATEX	CE	High Pressure	Code Vessel Class	Code Length (Nominal)	Code Connection Size	Code Standard	Code Seal	Code Cartridge	Code Vent	Code Drain	Code Finish
K	1	10	20	1" (125.4 mm)	DIN11851(M)	E	ANSI B1.1	C	226	A	H	B
L	2	15	30	1 1/2" (152.4 mm)	ANSI B1.1	P	ANSI B1.1	PA	PTFE	B	R	B
M	3	20	40	2" (50.8 mm)	ANSI B1.1	S	ANSI B1.1	SA	SAF	H	X	B
N	4	30	60	3" (76.2 mm)	ANSI B1.1	V	ANSI B1.1	V	Viton	L	Y	B
O	5	40	80	4" (101.6 mm)	ANSI B1.1	W	ANSI B1.1	W	W	M	Z	B

Code Surface Finish	Internal	External
B	Beverage	0.4 µm EP
P	Pharmaceutical	0.4 µm EP

Code Tagged	Yes	No
T	Yes	No
X	Yes	No

For tagged/option customer identification, please refer to the relevant technical drawing.