

Flanged Control Valve 7036

DN 15 up to DN 65



Pneumatically operated control valve with integrated positioner for the control of neutral, slightly aggressive and highly aggressive media.

- Unaffected by lightly contaminated media
- Body completely stainless steel
- Integrated positioner
 - pneumatic or
 - electro-pneumatic
 - digital
- Working pressure up to 40 bar



Technical Information

| | |
|--|---|
| Nominal size | DN 15 up to DN 50, PN40 DN 65, PN16 |
| Connections | flange acc. DIN EN 1092-1 flange acc. ANSI #150 |
| Nominal pressure | PN 40 / ANSI #150 |
| Max. fluid temperature: with metal bonnet | -30°C up to +170°C, opt. +200°C |
| with plastic bonnet | -30°C up to +135°C |
| Ambient temperature | analog positioner: -30°C up to +60°C digital positioner: -10°C up to +75°C |
| Viscosity of the fluid | maximum 600 mm ² /s (600cSt, 80°E) |
| Vacuum | maximum 0,001 bar abs |
| Working pressure for hollow construction | maximum 12 bar |



Materials

| | |
|--------------------|---|
| Body | Stainless steel 1.4408 |
| Seating seal | PTFE |
| Bonnet | Brass chrome plated (actuator Ø 50 mm, 80 mm) Aluminium corrosion protected (actuator Ø 125 mm) |
| Diaphragm actuator | Stainless steel 1.4301/1.4305 |
| Actuator springs | Stainless steel 1.4310 (actuator Ø 50 mm, 80 mm, diaphr.act.) Spring steel wire C, zinc coated (actuator Ø 125 mm) |
| Packing | PTFE (carbon filled), spring 1.4310 |
| Valve stem | Stainless steel 1.4571, roller burnished |
| Position indicator | PA Trogamid (clear) |

Positioner

For technical information of our positioners please refer to the corresponding data sheets.

Flanged Control Valve 7036

with integrated positioner



Kvs-Value

| DN | linear | | | | | equal percentage | | | | |
|-------|--------|-----|-----|----|----|------------------|-----|-----|----|----|
| | 15 | 20 | 25 | 32 | 40 | 15 | 20 | 25 | 32 | 40 |
| 100 % | 3,8 | 8,8 | 14 | 20 | 27 | 3 | 6 | 10 | 16 | 25 |
| 40 % | 1,5 | 3,5 | 5,8 | 8 | 11 | 1,2 | 2,4 | 4 | 6 | 10 |
| 25 % | 0,93 | 2,2 | 3,6 | - | - | 0,8 | 1,5 | 2,6 | - | - |
| 15% | - | - | - | - | - | 0,46 | - | - | - | - |
| 10% | 0,4 | - | - | - | - | - | - | - | - | - |
| 7,5% | - | - | - | - | - | 0,23 | - | - | - | - |

Admissible Pressure Difference

digital positioner

| DN | Differential pressure | Pilot pressure | Piston Ø | Springs |
|----|-----------------------|----------------|----------|---------|
| | bar | bar | mm | Number |
| 15 | 16 | 4 - 6 | 80 | 2 |
| 20 | 16 | 4 - 6 | 80 | 2 |
| 25 | 16 | 4 - 6 | 80 | 1 |
| 32 | 10 | 4 - 6 | 80 | 1 |
| 32 | 16 | 3 - 6 | 125 | 2 |
| 40 | 6 | 4 - 6 | 80 | 1 |
| 40 | 16 | 4 - 6 | 125 | 3 |

p/p-positioner i/p-positioner

| DN | Differential pressure | Pilot pressure | Piston Ø | Springs |
|----|-----------------------|----------------|----------|---------|
| | bar | bar | mm | Number |
| 15 | 16 | 4 - 6 | 80 | 2 |
| 20 | 16 | 4 - 6 | 80 | 2 |
| 25 | 12 | 4 - 6 | 80 | 1 |
| 32 | 7 | 4 - 6 | 80 | 1 |
| 32 | 13 | 3 - 6 | 125 | 2 |
| 40 | 4 | 4 - 6 | 80 | 1 |
| 40 | 11 | 4 - 6 | 125 | 3 |

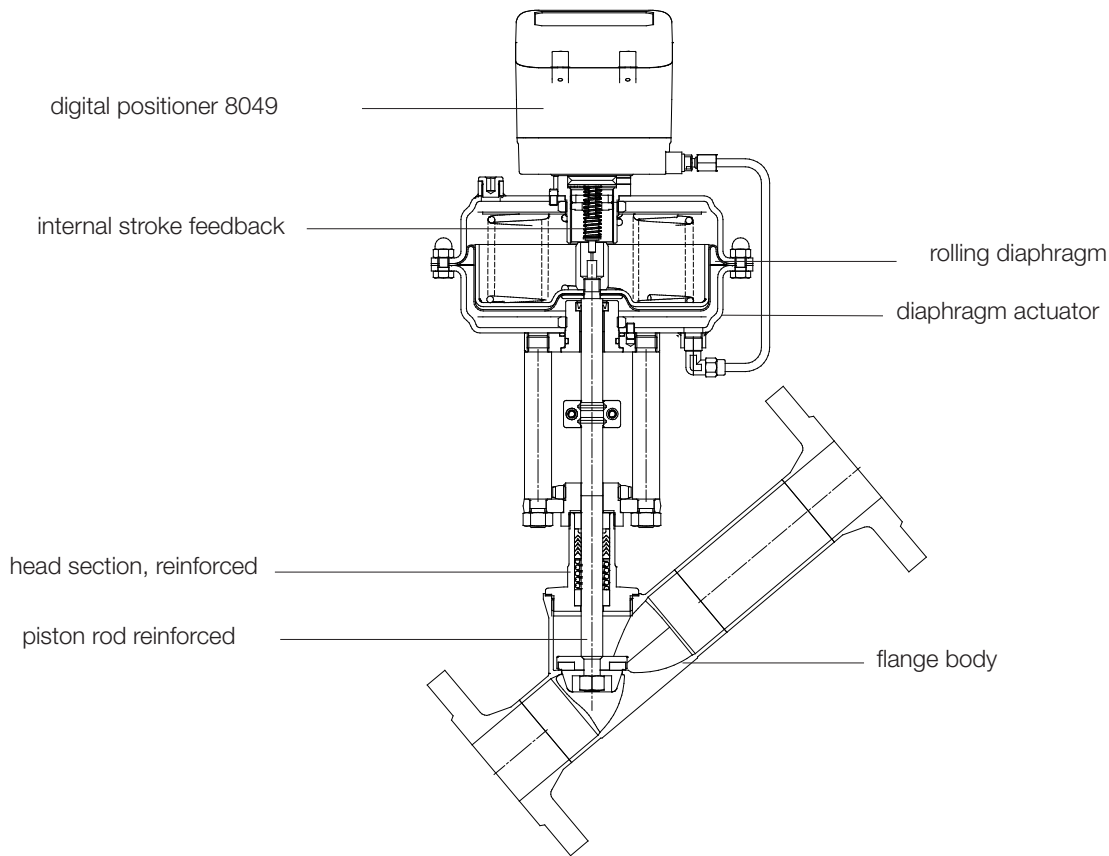
diaphragm actuator, direct pressure range

| DN | Differential pressure (bar) | | Supply air (bar) | | Diaphragm area (mm ²) |
|----|-----------------------------|-------------|------------------|-------------|-----------------------------------|
| | spring range | 0,2 - 1 bar | spring range | 0,2 - 1 bar | |
| 15 | 16 | 16 | 1,2 | 2,4 | 250 |
| 20 | 16 | 16 | 1,2 | 2,4 | 250 |
| 25 | 9 | 16 | 1,2 | 2,4 | 250 |
| 32 | 5 | 15 | 1,2 | 2,4 | 250 |
| 40 | 3 | 10 | 1,2 | 2,4 | 250 |
| 50 | 2 | 6 | 1,2 | 2,4 | 250 |

Flanged Control Valve 7036, reinforced design



with integrated positioner



Admissible Pressure Difference

digital positioner

| DN | Differential pressure | | Supply pressure range bar | Piston Ø mm | Springs number |
|----|-----------------------|------|------------------------------|----------------|-------------------|
| | PTFE | PEEK | | | |
| 50 | 3 | - | 4 - 6 | 80 | 1 |
| 50 | 9 | 3 | 4 - 6 | 125 | 3 |
| 50 | 12 | 5 | 3 - 6 | 250 | 6 |
| 50 | 16 | 10 | 4 - 6 | 250 | 8 * |
| 50 | 16 | 16 | 4 - 6 | 250 | 12 |
| 65 | 5 | - | 4 - 6 | 125 | 3 |
| 65 | 13 | 8 | 4 - 6 | 250 | 12 |

p/p-positioner i/p-positioner

| DN | Differential pressure (bar) | | Supply pressure range bar | Piston Ø mm | Springs number |
|----|-----------------------------|------|------------------------------|----------------|-------------------|
| | PTFE | PEEK | | | |
| 50 | 2 | - | 4 - 6 | 80 | 1 |
| 50 | 6 | 3 | 4 - 6 | 125 | 3 |
| 50 | 12 | 5 | 4 - 6 | 250 | 10 |
| 50 | 16 | 10 | 4 - 6 | 250 | 12 * |
| 65 | 9 | 8 | 4 - 6 | 250 | 12 |

* spring configuration, standard

Kvs-Value

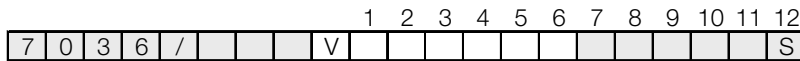
| DN | linear | | equal percentage | |
|------|--------|----|------------------|----|
| | 50 | 65 | 50 | 65 |
| 100% | 43 | 52 | 36 | 45 |
| 63% | 27 | 32 | 23 | 29 |

Flanged Control Valve 7036

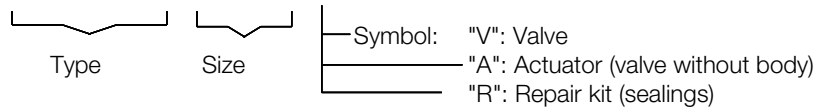
with integrated positioner



Ordering Number System



1 - 6 : Please quote all 6 sections
7 - 12: Quote only if required



| 1. Body type | 2. Connection | 3. Body materials | 4. Seat materials | 5. Positioner | 6. Actuator | 7. Springs |
|---|---|--|---|--|--|--|
| 2 flanged control valve Type 7036 | 9 angle bodied flange valve DIN EN 1092-1 dto. ANSI #150 C | 2 stainless steel 1.4408 | 0 PTFE (Teflon) | 6 p/p positioner Type 8047 7 i/p positioner Type 8047 8 i/p positioner with plug connec. M12x1 Type 8047 as above, but for hazardous location use II 2 G EEx ib IIC T6 9 plug conn. M12x1 Type 8047 dig. positioner, Type 8049, 4 wire C dig. positioner, Type 8049, 2 wire R dig. positioner Type 8049, AS-i version T dig. positioner Type 8049, AS-i version W dig. positioner Type 8049, 2 wire, ex-version | 1 piston 80 mm 2 piston 125 mm C diaphragm D250 mm | - standard spring configuration 1 spring to open (only with dig. positioner) P spring set 0,2-1 bar(D250) T 6 springs (D250) W 8 springs (D250) Y 12 springs (D250) |
| 8. Characteristic | 9. Packing | 10. Kvs-value | 11. Accessories | 12. Further special versions | 13. Seal | 14. Position indicator |
| - linear 1 equal percentage | - standard 2 packing underneath | - full Kvs-value 1 red. to 40% 2 red. to 25% 3 red. to 15% 4 red. to 7.5% 5 red. to 22.5% 6 red. to 10% | - without 6 pilot-valve DN2 230V AC 7 pilot-valve DN2 24V DC | S to state if some stations are quoted! | - standard | 0 with position indicator (dig. positioner standard) |

Ordering Example: 7036/020V292061-1---S-0
Flanged control valve with pneumatic positioner, nominal size DN20,
stainless steel body PTFE sealing, 80mm piston, equal percentage characteristic 100 %
Kvs-value = 6, with position indicator

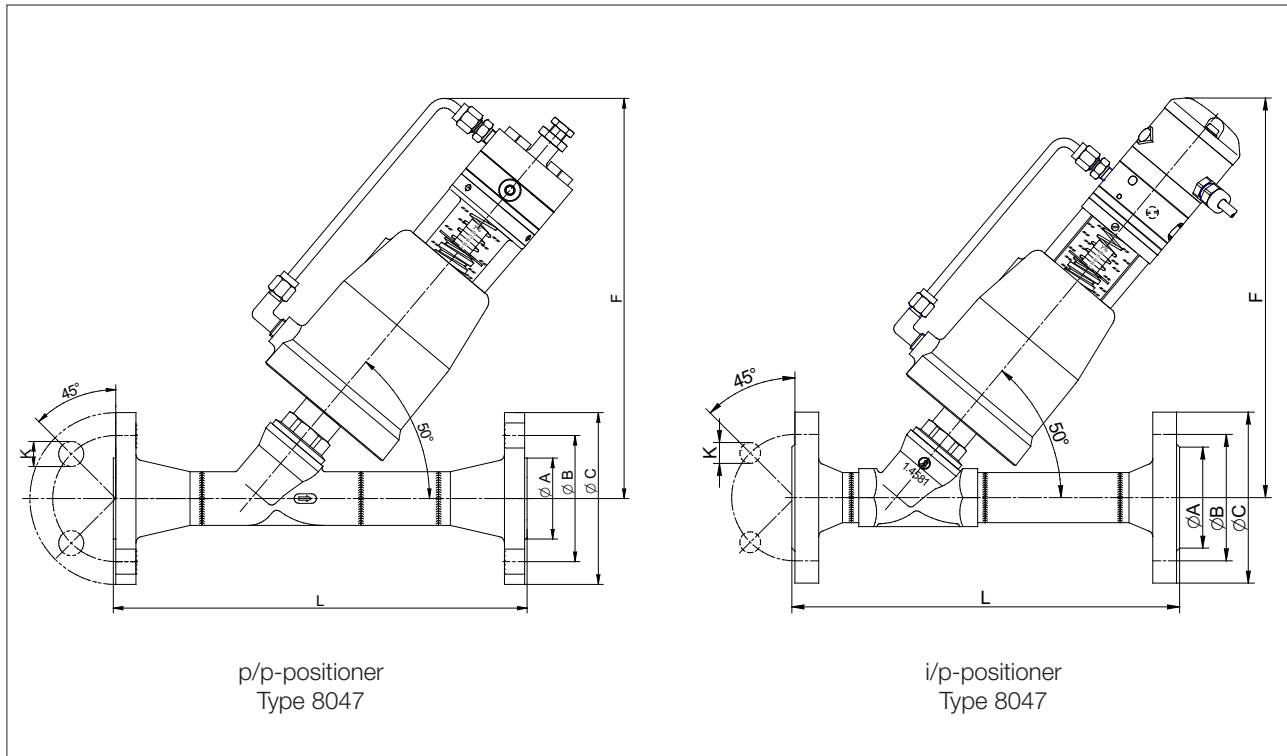
reinforced design (from DN50):

Ordering Example: 7036/050V2920CCT----S-----K
Flanged control valve Typ 7036 with digital positioner 8049 4-wire, DN50, stainless steel
body, PTFE sealing, Ø250mm piston, six springs, linear characteristic, reinforced design
„K“ reinforced design

Flanged Control Valve 7036

with integrated positioner

Dimensions and Weights



| DN | Actuator | A | B | C | D | F | | H | K | L* | N | Weight (kg) | |
|----|----------|----|-----|-----|-----|-----|-----|----|----|-----|---|-------------|------|
| | | | | | | p/p | i/p | | | | | p/p | i/p |
| 15 | 80 | 45 | 65 | 95 | 98 | 245 | 260 | 7 | 14 | 230 | 4 | 5,3 | 5,6 |
| 20 | 80 | 58 | 75 | 105 | 98 | 245 | 260 | 12 | 14 | 260 | 4 | 6,1 | 6,4 |
| 25 | 80 | 68 | 85 | 115 | 98 | 255 | 270 | 16 | 14 | 260 | 4 | 6,8 | 7,1 |
| 32 | 80 | 78 | 100 | 140 | 98 | 270 | 285 | 20 | 18 | 300 | 4 | 8,4 | 8,6 |
| 32 | 125 | 78 | 100 | 140 | 146 | 300 | 315 | 20 | 18 | 300 | 4 | 10,9 | 11,2 |
| 40 | 80 | 88 | 110 | 150 | 98 | 275 | 290 | 23 | 18 | 300 | 4 | 9,1 | 9,4 |
| 40 | 125 | 88 | 110 | 150 | 146 | 305 | 320 | 23 | 18 | 300 | 4 | 11,7 | 12,0 |

reinforced design:

| | | | | | | | | | | | | | |
|----|-----|-----|-----|-----|-----|-----|-----|----|----|-----|---|------|------|
| 50 | 80 | 102 | 125 | 165 | 98 | 280 | 295 | 29 | 18 | 350 | 4 | 11,1 | 11,4 |
| 50 | 125 | 102 | 125 | 165 | 146 | 310 | 325 | 29 | 18 | 350 | 4 | 13,7 | 14,0 |

*body dimensions L acc. DIN 3203 F3

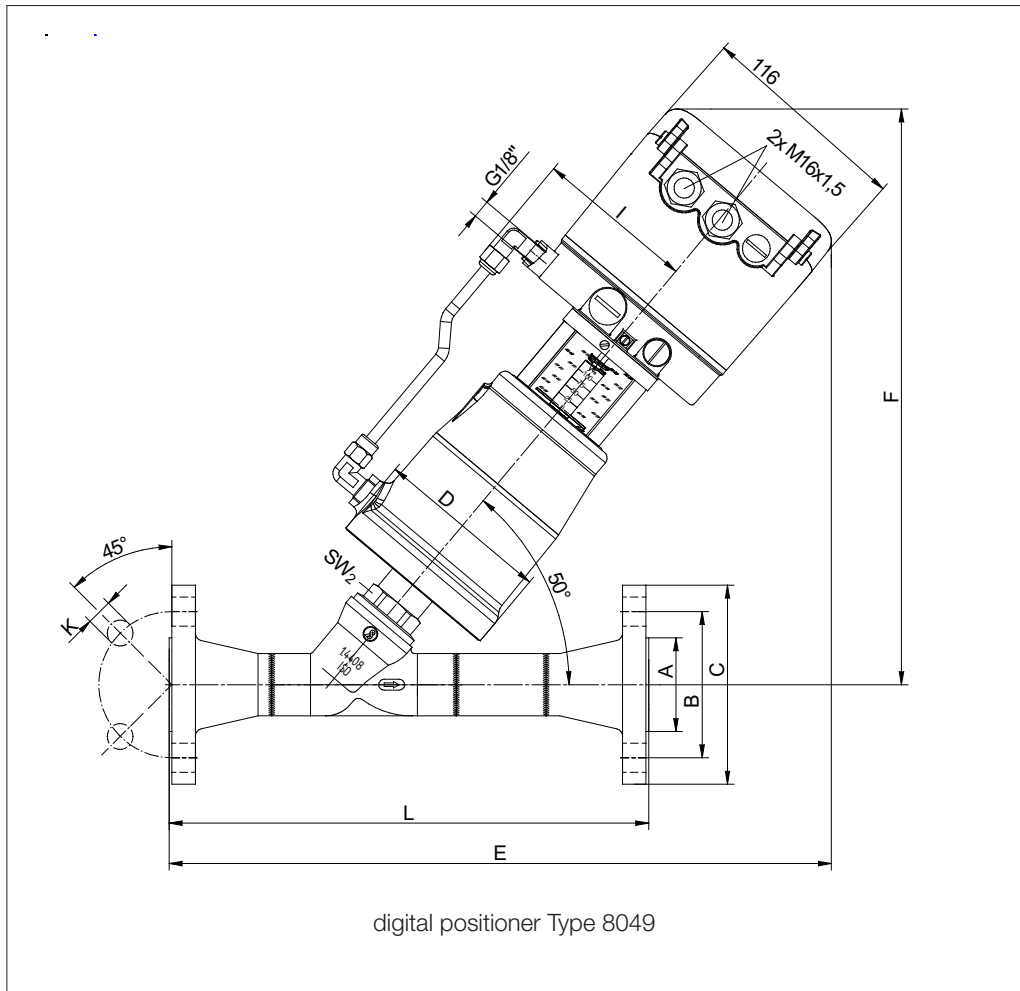
Dimensions in mm

Flanged Control Valve 7036

with integrated positioner



Dimensions and Weights



| DN | Actuator | A | B | C | D | E | F | I | SW2 | K | L* | N | Weight (kg) Type 8049 |
|----|----------|----|-----|-----|-----|-----|-----|-----|-----|----|-----|---|--------------------------|
| 15 | 80 | 45 | 65 | 95 | 98 | 330 | 302 | 80 | 30 | 14 | 230 | 4 | 6,0 |
| 20 | 80 | 58 | 75 | 105 | 98 | 335 | 307 | 80 | 30 | 14 | 260 | 4 | 6,8 |
| 25 | 80 | 68 | 85 | 115 | 98 | 345 | 312 | 80 | 30 | 14 | 260 | 4 | 7,5 |
| 32 | 80 | 78 | 100 | 140 | 98 | 365 | 327 | 80 | 30 | 18 | 300 | 4 | 8,7 |
| 32 | 125 | 78 | 100 | 140 | 146 | 395 | 357 | 105 | 30 | 18 | 300 | 4 | 11,6 |
| 40 | 80 | 88 | 110 | 150 | 98 | 370 | 332 | 80 | 30 | 18 | 300 | 4 | 9,8 |
| 40 | 125 | 88 | 110 | 150 | 146 | 400 | 362 | 105 | 30 | 18 | 300 | 4 | 12,4 |

reinforced design:

| | | | | | | | | | | | | | |
|----|-----|-----|-----|-----|-----|-----|-----|-----|----|----|-----|---|------|
| 50 | 80 | 102 | 125 | 165 | 98 | 390 | 342 | 80 | 32 | 18 | 350 | 4 | 11,8 |
| 50 | 125 | 102 | 125 | 165 | 146 | 420 | 372 | 105 | 32 | 18 | 350 | 4 | 14,4 |
| 65 | 125 | 122 | 145 | 185 | 146 | 452 | 377 | 105 | 36 | 18 | 400 | 8 | 17,4 |

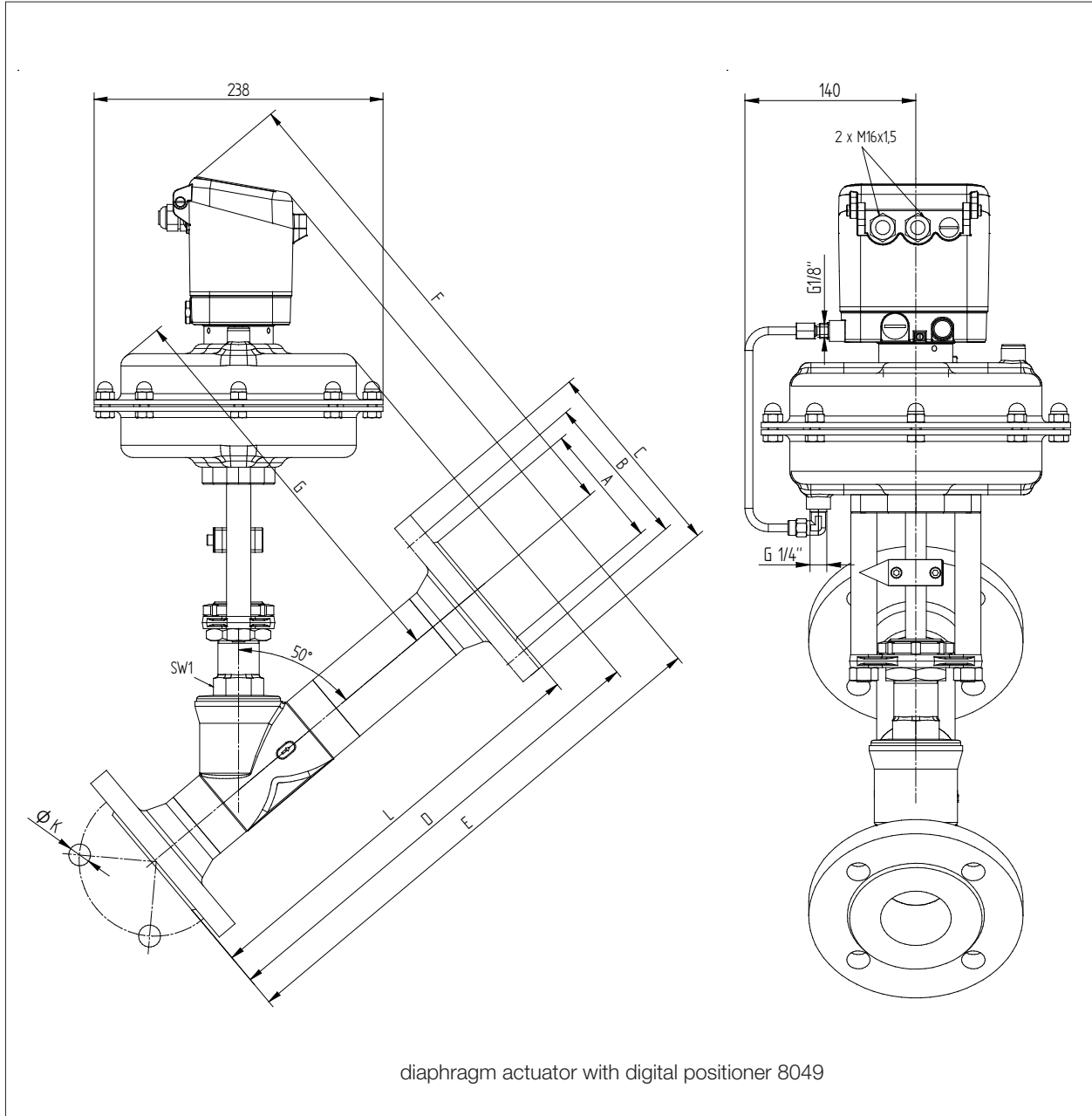
Dimensions in mm

*body dimension L acc. DIN 3203 F3

Flanged Control Valve 7036, reinforced design with integrated positioner



Dimensions and Weights



Text and pictures are not binding. We reserve the right, to alter the equipment.

| DN | A | | B | | C | | D | E | F | G | SW1 | K | | L* | N holes | Weight (kg) |
|----|------|---------|------|---------|------|---------|-----|-----|-----|-----|-----|------|----------|-----|------------|----------------|
| | PN40 | ANSI150 | PN40 | ANSI150 | PN40 | ANSI150 | | | | | | PN40 | ANSI 150 | | | |
| 15 | 45 | 35,1 | 65 | 60,5 | 95 | 88,9 | 330 | 385 | 350 | 280 | 30 | 14 | 15,75 | 230 | 4 | 18,7 |
| 20 | 58 | 43 | 75 | 69,9 | 105 | 98,6 | 340 | 395 | 360 | 290 | 30 | 14 | 15,75 | 260 | 4 | 18,8 |
| 25 | 68 | 50,8 | 85 | 79,3 | 115 | 108 | 345 | 400 | 370 | 300 | 30 | 14 | 15,75 | 300 | 4 | 19 |
| 32 | 78 | 63,5 | 100 | 88,9 | 140 | 117,4 | 360 | 415 | 385 | 310 | 30 | 18 | 15,75 | 300 | 4 | 19,1 |
| 40 | 88 | 73,5 | 110 | 98,6 | 150 | 127 | 370 | 425 | 395 | 320 | 30 | 18 | 15,75 | 300 | 4 | 19,3 |
| 50 | 102 | 92 | 125 | 120,7 | 165 | 152,4 | 400 | 430 | 405 | 335 | 36 | 18 | 19 | 350 | 4 | 19,6 |
| 65 | 122 | 104,7 | 145 | 139,5 | 185 | 177,8 | 420 | 480 | 420 | 350 | 36 | 18 | 19 | 400 | 8 | 20 |

*DimensionLin accordance with DIN 3203 F3

Dimensions in mm