

3/2-Way Motor Valve 7182

DN 15 up to DN 50

3/2-Way Motor Valve for distributing function, mixing function and for modulating or on/off operation for neutral and aggressive media.

- Compact design
- Unaffected by lightly contaminated media
- For operating temperatures from -30°C up to +200°C
- Working pressure up to 16 bar
- Versatile actuator options with various accessories



Technical Information Valve

Body material	SST 1.4408
Nominal size	DN 15 up to DN 50
Connections	pipe thread acc. DIN 2999 Rp 1/2" - Rp 2"
Nominal pressure	PN 40
Media temperature	-30°C up to +170°C optional up to +200°C
Viscosity of media	max. 600 mm ² /s (600cSt, 80°E)

Technical Information Motor Actuator

Driving force	0,9 kN; 2,0 kN
Type of duty acc. VDE 0530	S1 - 100 % ED
Net Connections	230V AC - single phase current 24V AC - single phase current
Power consumption	0,9 kN: 4,8 W; 2,0 kN: 6,6 W
Amb. temperature	0°C up to 60 °C
Mounting position	Motor not top-down; (0,9 kN any)
Protection class (DIN 40050)	IP 65

Options

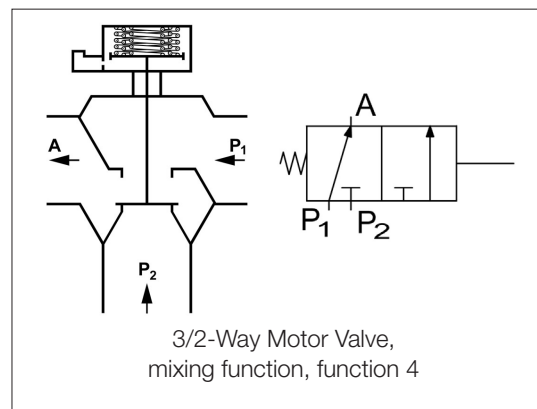
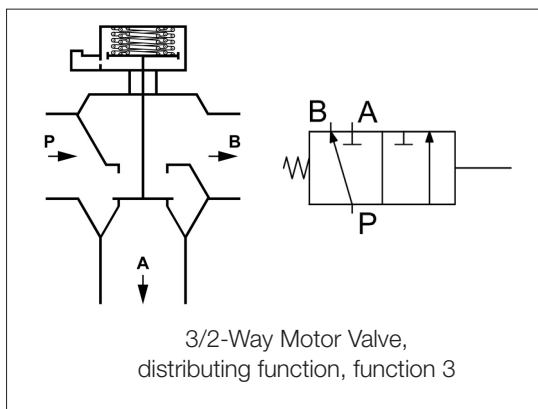
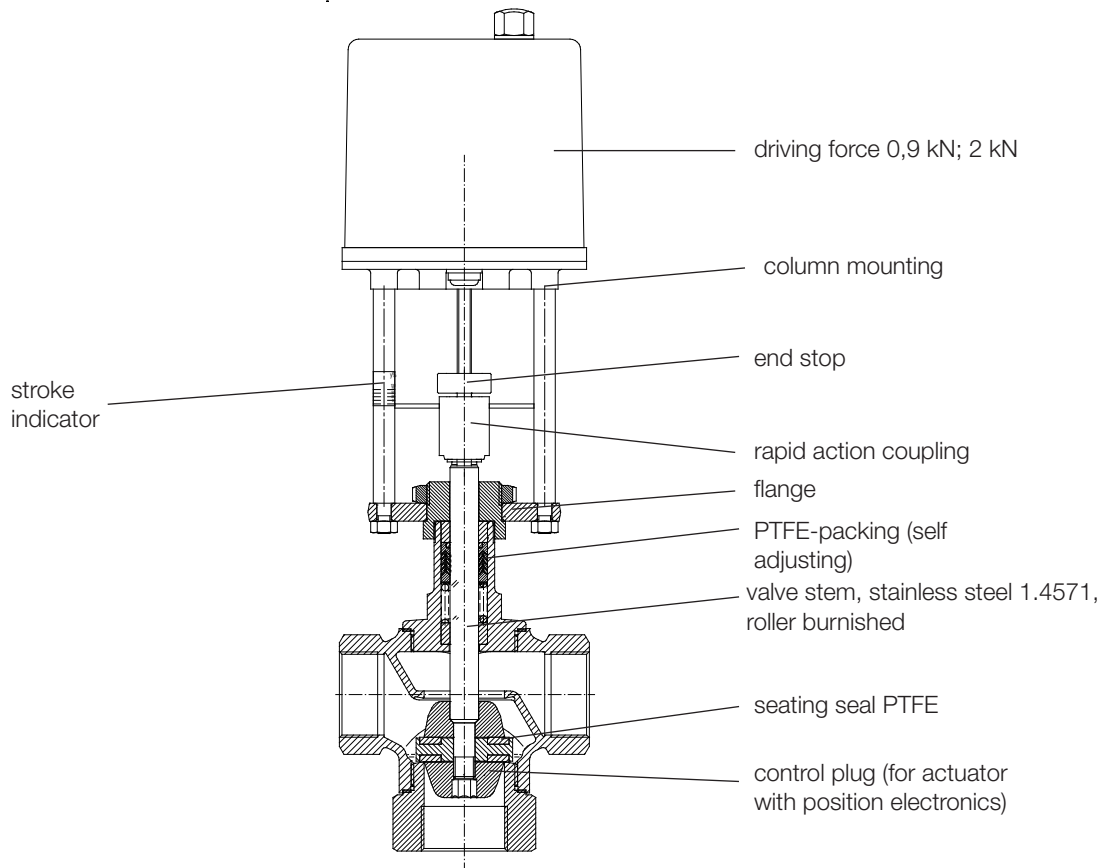
- oil and grease free version

	0,9 kN	2,0 kN
limit switch	max. 2	max. 2
potentiometer	1*	1*
positioner, analog	yes	yes

*one positioner is required for positioner option

3/2-Way Motor Valve 7182

distributing/ mixing function



Kvs-values, 3/2-Way Motor Valve

DN	distributing function		mixing function	
	P-A	P-B	P1-A	P2-A
15	7,5	5,5	5,5	7,5
20	10	6,5	6,5	10
25	14	10	10	14
32	23	15	15	23
40	45	27	27	45
50	57	41	41	57

Admissible differential pressures, distributing function

Seating seal	PTFE	Driving force
Nominal size DN	p,max. bar	[kN]
15	16	0,9
20	16	0,9
25	12	0,9
25	16	2,0
32	7	0,9
32	16	2,0
40	4	0,9 *
40	11	2,0 *
50	2	0,9 *
50	4	2,0 *

*reinforced design

Admissible differential pressures, mixing function

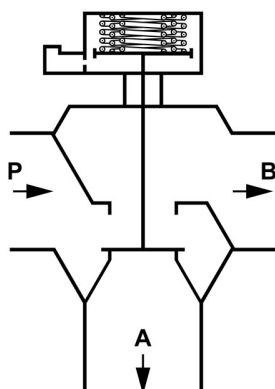
Seating seal	PTFE	PEEK (7)	PEEK (8) ⁽¹⁾	ELASTOME R ⁽²⁾	Driving force
Nominal size DN	p,max. bar				[kN]
15	16	4	15	16	0,9
20	16	4	15	16	0,9
25	10	-	8	11	0,9
25	16	16	16	16	2,0
32	6	-	4	7	0,9
32	16	8	14	16	2,0
40	3	-	2,0	4	0,9 *
40	10	3	9	11	2,0 *
50	1	-	-	2	0,9 *
50	5	0,5	4	6	2,0 *

*reinforced design

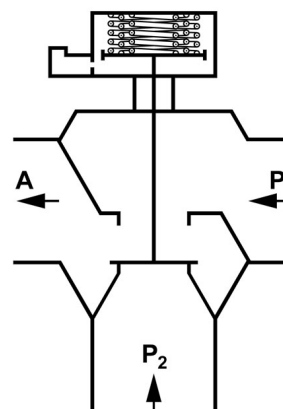
(1: at T > 160°C

(2: only for on/off valves

distributing function, function 3



mixing function, function 4



3/2-Way Motor Valve 7182

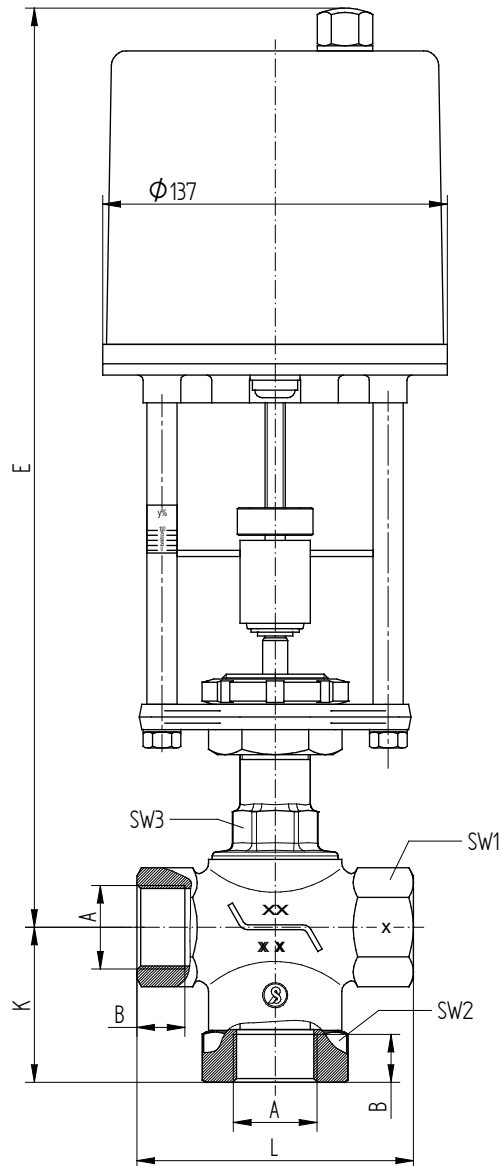
Ordering Number System

		Article number										S		
Nominal size:		7182/												
DN 15	015													
DN 20	020													
DN 25	025													
DN 32	032													
DN 40	040													
DN 50	050													
Item:														
valve	V													
valve without actuator	U													
actuator	A													
Body design:														
3/2-Way Motor Valve, distributing function	3													
3/2-Way Motor Valve, mixing function	4													
Connection:														
whitworth-thread	0													
NPT thread	5													
Body material:														
stainless steel 1.4408	2													
Seating seal:														
PTFE	0													
FKM	1													
PEEK	7 / 8													
Function:														
without	-													
on/off	A													
control	R													
Motor:														
driving force 0,9 kN, IP65	4													
driving force 2,0 kN, IP65	1													
Motor voltages:														
230V, 50Hz	-													
24V, 50Hz	1													
24V, 50Hz	2													
24 VDC	3													
110V/120V, 50Hz/ 60Hz	4													
Motor stroking times (0,9kN):														
standard	-													
6,3mm/min	0													
13,5mm/min	1													
2,9mm/min	2													
1,7mm/min	3													
Positioner: (further input signals on request)														
without (3-step-drive signal)	-													
positioner 4 -20mA	N													
Limit switches:														
without	-													
1 limit switch	1													
2 limit switches	2													
Feedback: (further on request)														
without	-													
feedback with potentiometer 1000 Ohm	1													
stroke feedback for positioner 0/4 -20mA	C													
Control plug														
without	-													
linear 100%	1													

Ordering example: 7182/025V3020R4--N
 3/2-Way Motor Valve Type 7182, distributing function, DN 25, pipe thread acc.
 DIN 2999/ISO228, stainless steel body 1.4408, seating seal PTFE, control actuator 0,9 kN,
 motor voltage 230V, 50 Hz, positioner 4-20 mA

3/2-Way Motor Valve 7182

Dimensions and Weights



A	B		E		Stroke	K	L	SW1	SW2	SW3
Rp / NPT	Rp	NPT	0,9kN	2kN						
1/2"	15	14,5	354,2	----	14	60,7	90	26	41	30
3/4"	16,3	15	354,2	----	14	60,7	90	32	41	30
1"	19,1	18	365,7	404,7	14	61,7	110	41	55	30
1 1/4"	21,4	18,5	369,7	408,7	15	72,7	130	48	65	30
1 1/2"	21,4	18,5	384,2	423,2	23	87,7	140	58	75	32
2"	25,7	19	398,7	437,7	23	94,7	180	85	90	36

Dimensions in mm