

# 3/2-Way Motor Control Valve

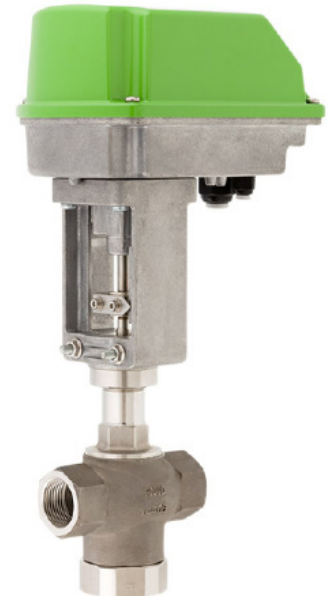
Type 7282

DN 15 up to DN 50



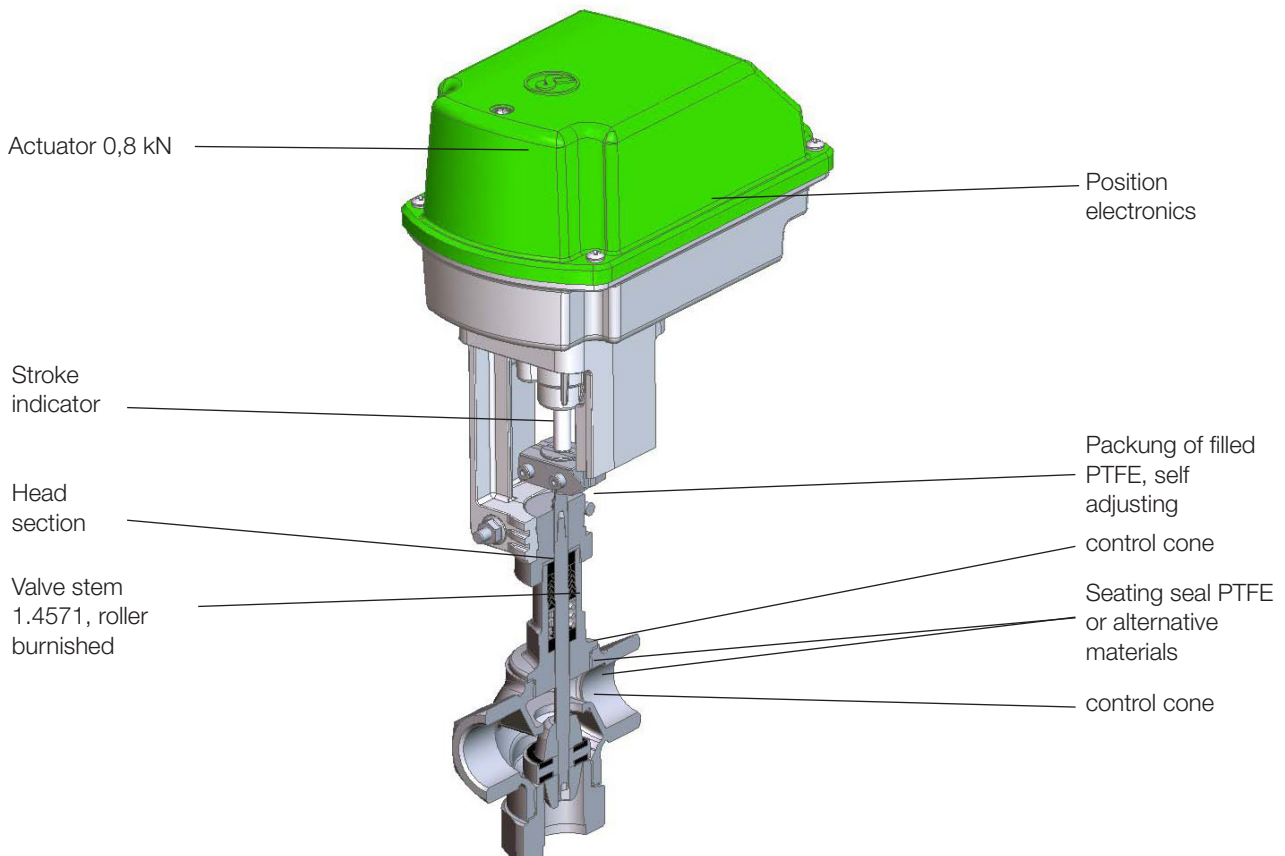
**3/2-Way Motor Valve in stainless steel for distributing function, mixing function and modulating operation for neutral and aggressive media.**

- Compact design
- Self calibration
- Unaffected by lightly contaminated media
- For temperatures from -50°C up to +220°C
- Versatile actuator options
- Actuators with control function also available with safety position



## Technical Information Valve

Body materials	Stainless steel 1.4408
Nominal sizes	DN 15 up to DN 50
Connections	Pipe thread acc. ISO 228-1: G 1/2" - 2" NPT thread: 1/2" - 2"
Nominal pressure	PN40
Media temperature	-30°C up to + 200°C, opt. -50°C up to +220°C



## Technical Information CA-Actuator

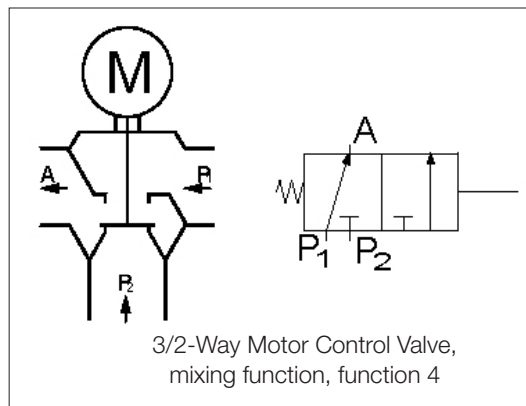
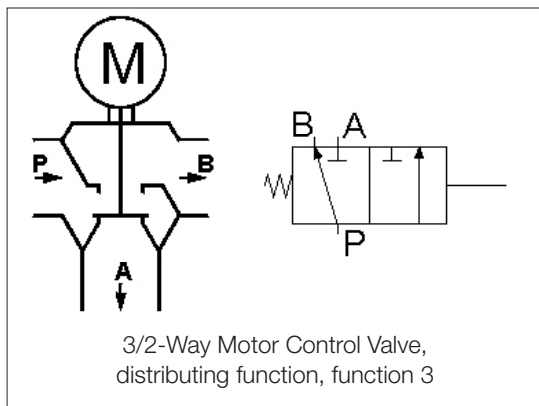
Function	Control				On/Off	
Motor type	CA24C	CA260C	CA24C-R	CA260C-R	CA24	CA260
Mains connection	24V AC/DC	90-260V AC	24V AC/DC	90-260V AC	24V AC/DC	90-260V AC
Set point range	(0)2-10V / (0)4-20mA				3-term**	
Feedback	(0)2-10V / (0)4-20mA				optional	
Limit switch	2				optional	
Potentiometer feedback	-				optional	
Max. switching capacity	24V AC/DC 200 mA				250V AC/DC 1A	
Actuating speed	1.5 / 2 / 3 s/mm (Standard: 2 s/mm)				2 or 3 s/mm (Standard: 3 s/mm)	
Safety functions	Monitoring of tensile force, set point, temperature of the electronics, etc.				Tensile force monitoring	
Diagnostic functions	Storage of motor and total operating time, temperature and directional classes, etc.				-	
Fail Safe position	-	-	freely adjustable		-	
Load	500 Ω for current set point / 95 kΩ for voltage set point				-	
Max. input	13 W	12 W	13 W	12 W	13 W	12 W
Input heating resistor	10 W					
Starting current heating resistor	6 A	2,5 A	6 A	2,5 A	6 A	2,5 A
Actuating power	800 N					
Protection class (EN 60529)	IP 65					
Adm. Ambient temperature	-10°C to +60°C					
Duty cycle	100%					

\*: for control with volt-signal split range adjustments are possible

\*\*: minimum switch on time 200ms

Wiring diagrams of the actuators can be found in the manual.

## Functions



## Kvs-Values

Size	DN15	DN20	DN25	DN32	DN40	DN50
P-B	5,5	6,5	10	15	45	41
P-A	7,5	10	14	18	27	57
P1-A	5,5	6,5	10	15	27	41
P2-A	7,5	10	14	18	45	57

## Admissible Differential Pressures

Nominal size	Differential pressure max [bar]					
	DN15	DN20	DN25	DN32	DN40	DN50
	15	15	8,5	4,8	2,5	1,2

# 3/2-Way Motor Control Valve 7282



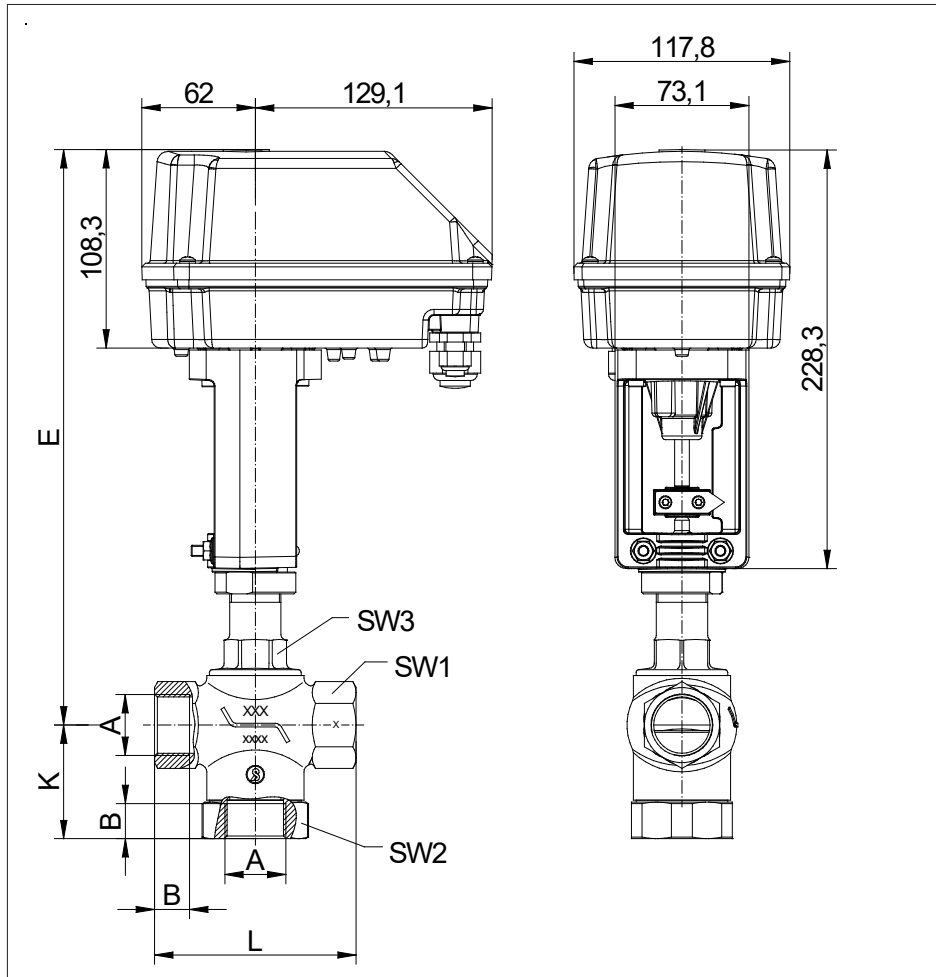
## Ordering Number System

Article number:

Nominal size:		7282/			K							S	
DN 15	015												
DN 20	020												
DN 25	025												
DN 32	032												
DN 40	040												
DN 50	050												
Item:													
Valve	V												
Valve without actuator	U												
Actuator	A												
Body design:													
3/2-Way Motor Valve, distributing function						3							
3/2-Way Motor Valve, mixing function						4							
Connection:													
Withworth-thread								0					
NPT thread								5					
Body material:													
Stainless steel 1.4408									2				
Seating seal:													
PTFE										0			
Actuator:													
Control actuator CA24C, 24V AC/DC, with position electronic, standard adjustment: control signal 4-20mA, feedback 4-20mA, 2 limit switch											C		
Control actuator CA260C, 90-260V 50/60Hz, with position electronic, standard adjustment 4-20mA, feedback 4-20mA, 2 limit switch											D		
On-Off (3-point) actuator CA24, 24V AC/DC											E		
On-Off (3-point) actuator CA260, 90-260V, 50/60Hz											F		
Control plug:													
linear 100%												-	
Safety position:													
without safety position													-
Fail-Safe: normally closed at power failure													2
Fail-Safe: normally open at power failure													3
Fail-Safe: position acc. customer request													4
Stroking times:													
Standard (2 s/mm for control actuators - 3 s/mm for on-off-actuators)													-
3 s/mm													4
1,5 s/mm													5

Ordering example: 7282/025VK4020C  
 3/2-Way Motor Control Valve Type 7282, DN 25, pipe thread acc. ISO228-1, stainless steel body 1.4408, seating seal PTFE, control actuator CA24C, 0,8 kN, 24V AC/DC, control electronics 4-20 mA, position feedback 4-20 mA, control cone lin. 100%.

## Dimensions and Weights CA-Actuators



DN	A G / NPT	B G	B NPT	E	Stroke	K	L	SW1	SW2	SW3	Weight kg
15	1/2"	15	14,5	300	14	62	90	26	41	30	3,1
20	3/4"	16,3	15	300	14	62	90	32	41	30	3,1
25	1"	19,1	18	312	14	63	110	41	55	30	3,5
32	1 1/4"	21,4	18,4	316	15	74	130	48	65	30	4,1
40	1 1/2"	21,4	18,4	331	23	88	140	58	75	32	5,0
50	2"	25,7	19	344	23	95	180	85	90	36	8,2

Dimensions in mm