

# Right Angle Seat Motor Valve compact 7250

## DN 15 up to DN 50

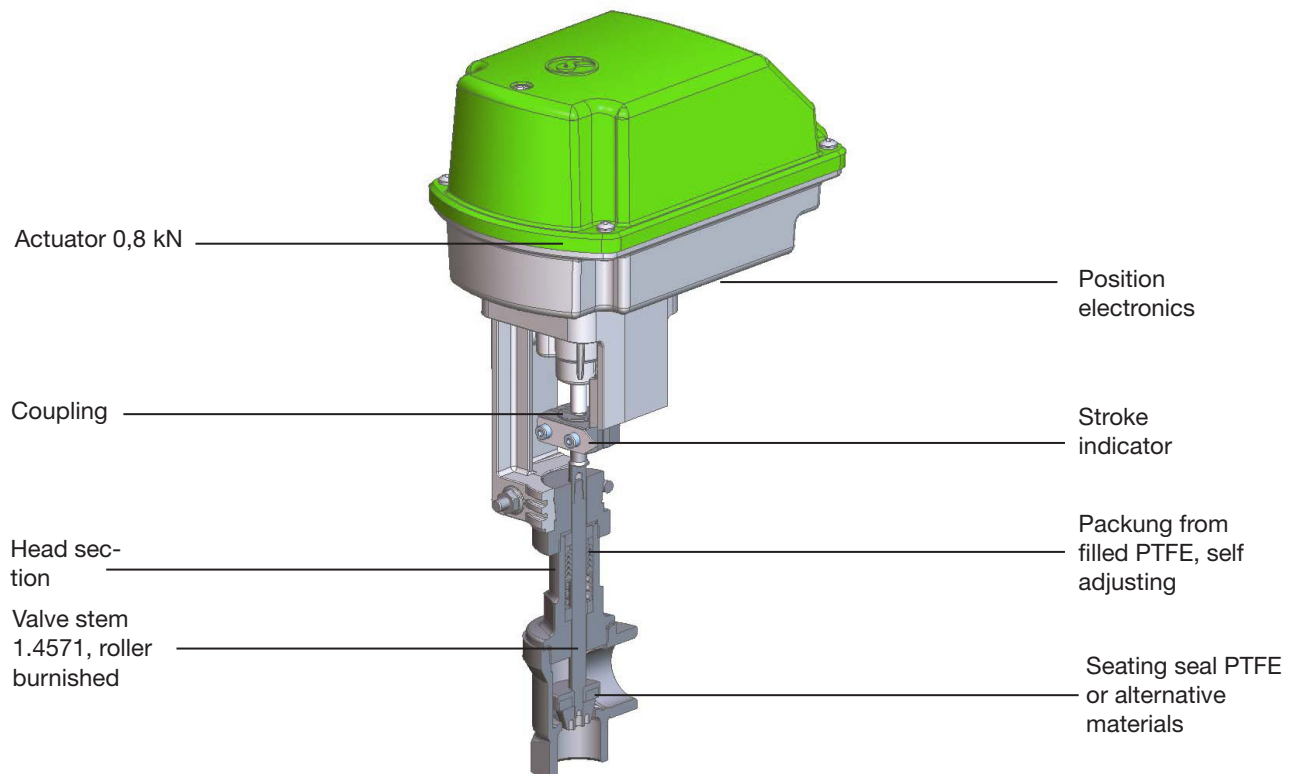
**Motor valve for on/off- and modulating operation for neutral and aggressive media.**

- Compact design
- Self adaption
- Unaffected by lightly contaminated media
- For temperatures from -100°C up to +220°C
- Working pressure up to 40 bar
- Versatile actuator options
- Actuators with control function also available with safety position



### Technical Information Valve

Body materials	Stainless steel 1.4408
Nominal sizes	DN 15 up to DN 50
Connections:	
Pipe threads acc. ISO 228-1	DN15 - DN 50
NPT thread	DN15 - DN 50
Nominal pressure	PN 40
Media temperature	-30°C up to +200°C, opt. -100°C up to +220°C
ambient temperature	-10°C up to +60°C
Viscosity	max. 600 mm <sup>2</sup> /s (600 cSt)
Vacuum	max. 0,001 bar, abs.
Operating pressure packing underneath	max. 12 bar
Packing leakage	tested according to TA-Luft as defined in DIN EN ISO 15848-1 and VDI 2440



# Right Angle Seat Motor Valve compact 7250



## Technical Information CA-Actuator

Function	Control				On/Off	
	CA24C	CA260C	CA24C-R	CA260C-R	CA24	CA260
Mains connection	24 V AC/DC	100-240 V AC	24 V AC/DC	100-240 V AC	24 V AC/DC	100-240 V AC
Set point range	(0)2-10 V / (0)4-20 mA				3-point**	
Mains frequency	50/60 Hz				50/60 Hz	
Feedback	(0)2-10 V / (0)4-20 mA				optional	
Dead band	±0.6 % of the entire stroke				-	
Repeatability	±0.3 % of the entire stroke				-	
Limit switch	2				optional	
Potentiometer feedback	-				optional	
Max. switching capacity	24 V AC/DC 200 mA				250 V AC/DC 1 A	
Actuating speed	1.5 / 2 / 3 s/mm (Standard: 2 s/mm)				2 or 3 s/mm (Standard: 3 s/mm)	
Safety functions	Monitoring of tensile force, set point, temperature of the electronics, etc.				Tensile force monitoring	
Diagnostic functions	Storage of motor and total operating time, temperature and directional classes, etc.				-	
Fail Safe position	-	-	freely adjustable		-	
Load	500 Ω for current set point / 95 kΩ for voltage set point				-	
Max. power consumption	13 W	12 W	13 W	12 W	13 W	12 W
Input heating resistor	10 W					
Starting current	6 A	2,5 A	6 A	2,5 A	6 A	2,5 A
Actuating power	800 N					
Protection class (EN 60529)	IP 65***					
Adm. Ambient temperature	-10 °C to +60 °C					
Duty cycle	Storage of motor and total operating time, temperature and directional classes, etc.					

\*: for control with volt-signal split range adjustments are possible

\*\* : Minimum on-time 200 ms

\*\*\* Dustproof, protection against water jets from any angle

Wiring diagrams of the actuators can be found in the manual.

## Admissible Differential Pressures

Nominal size	p max (bar)											
	DN15		DN20		DN25		DN32		DN40		DN50	
	On/off	Control	On/off	Control	On/off	Control	On/off	Control	On/off	Control	On/off	Control
Stainless steel body	40	16	20	16	12	12	7	7	4,8	4,8	2,8	2,8

## Kvs-Values (Stroke)

Characteristic	linear						equal percentage					
	15	20	25	32	40	50	15	20	25	32	40	50
100 %	5,2 (8,7)	10,5 (14,2)	16,5 (15,2)	25 (18,2)	33 (18,2)	40 (21,2)	4,1 (8,7)	9,3 (14,2)	12 (14,2)	16 (18,2)	22 (18,2)	-
40 %	2,1 (8,7)	4,2 (7,2)	6,6 (10,2)	10 (10,2)	16 (18,2)	-	1,7 (8,7)	3,7 (7,2)	4,8 (9,2)	6,4 (10,2)	12,8 (12,2)	-
25 %	1,3 (8,7)	2,6 (7,2)	4,1 (10,2)	-	-	-	1 (8,7)	2,3 (7,2)	3 (9,2)	-	-	-
On-Off	5,5 (8,7)	10,5 (14,2)	17 (15,2)	25 (18,2)	35 (18,2)	45 (21,2)						

# Right Angle Seat Motor Valve compact 7250



## Ordering Number System

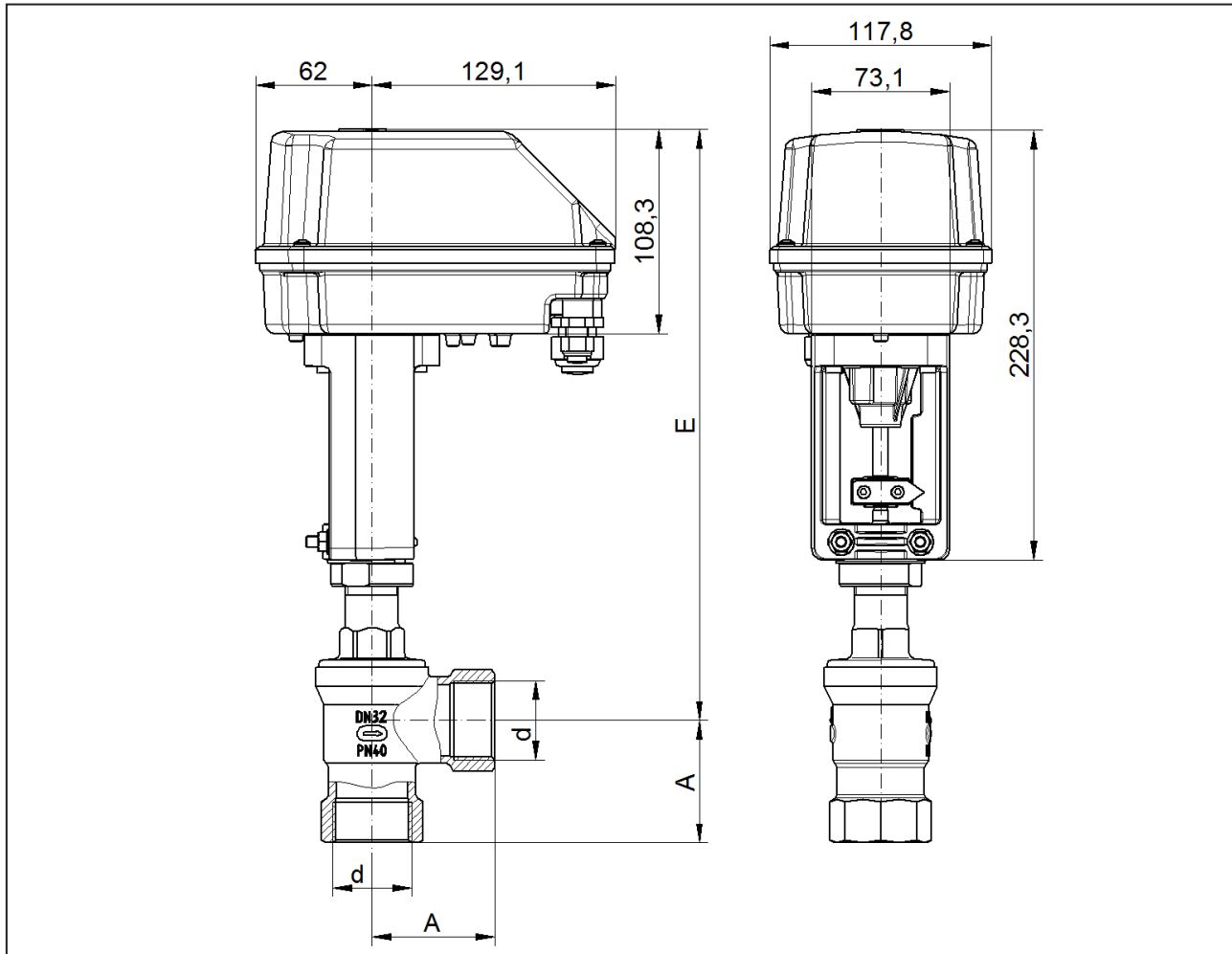
Article number														
7250/					K							S		
Nominal size:														
DN 15	015													
DN 20	020													
DN 25	025													
DN 32	032													
DN 40	040													
DN 50	050													
Item:														
Valve	V													
Upper part	U													
Actuator	A													
Body design:														
Right angled body valve					7									
Connection:														
Whitworth-thread						0								
NPT thread						5								
without thread						6								
Body material:														
Stainless steel						2								
Seating seal:														
PTFE							0							
FKM (Viton)							1							
EPDM							2							
NBR							3							
Actuator:														
Control actuator CA24C, 24V AC/DC, with position electronic, stanard adjustment: control signal 4-20mA, feedback 4-20mA, 2 limit switch									C					
Control Actuator CA260C, 100-240V, 50/60Hz, with position electronic, Standard adjustment 4-20mA, feedback 4-20mA, 2 limit switch									D					
On-Of (3-point) actuator CA24, 24V AC/DC									E					
On-Off (3-point) actuator CA260, 100-240V, 50/60Hz									F					
Control plug:														
none									-					
linear 100%									1					
equal percentage 100%									2					
linear 40%									3					
equal percentage 40%									4					
linear 25%									5					
equal percentage 25%									6					
Safety position:														
without safety position												-		
spring to close												0		
spring to open												1		
Stroking times														
Standard (2 s/mm for control actuators - 3 s/mm for on-off-actuators)													-	
3 s/mm													4	
1,5 s/mm													5	

Ordering example: 7250/025VK702021

Right Angled seat compact motor valve type 7250, DN 25, pipe thread acc. ISO 228-1 stainless steel body, seating seal PTFE, control actuator BM24C/I, 24V AC/DC, 0,8 kN, control electronics 4-20 mA, position feedback 2-10V, linear characteristic, Kvs-value 14 (100 %).

# Right Angle Seat Motor Valve compact 7250

## Dimensions and Weights for CA-actuators



DN	d	A	E	Stroke	Weight kg
15	1/2"	41	284	9	2,4
20	3/4"	41	285	14	2,7
25	1"	41	298	18	2,8
32	1 1/4"	65	299	21	3,4
40	1 1/2"	65	302	22	3,6
50	2"	65	319	22	4,2

Dimensions in mm