

Angle Seat Motor Valve 7110

DN 15 up to DN 80, PN 16 - PN 40

Motor valve for on/off- and modulating operation for neutral and aggressive media.

- Compact design
- Unaffected by lightly contaminated media
- For temperatures from -30°C to +220°C
- Working pressure up to 40 bar
- Versatile actuator options



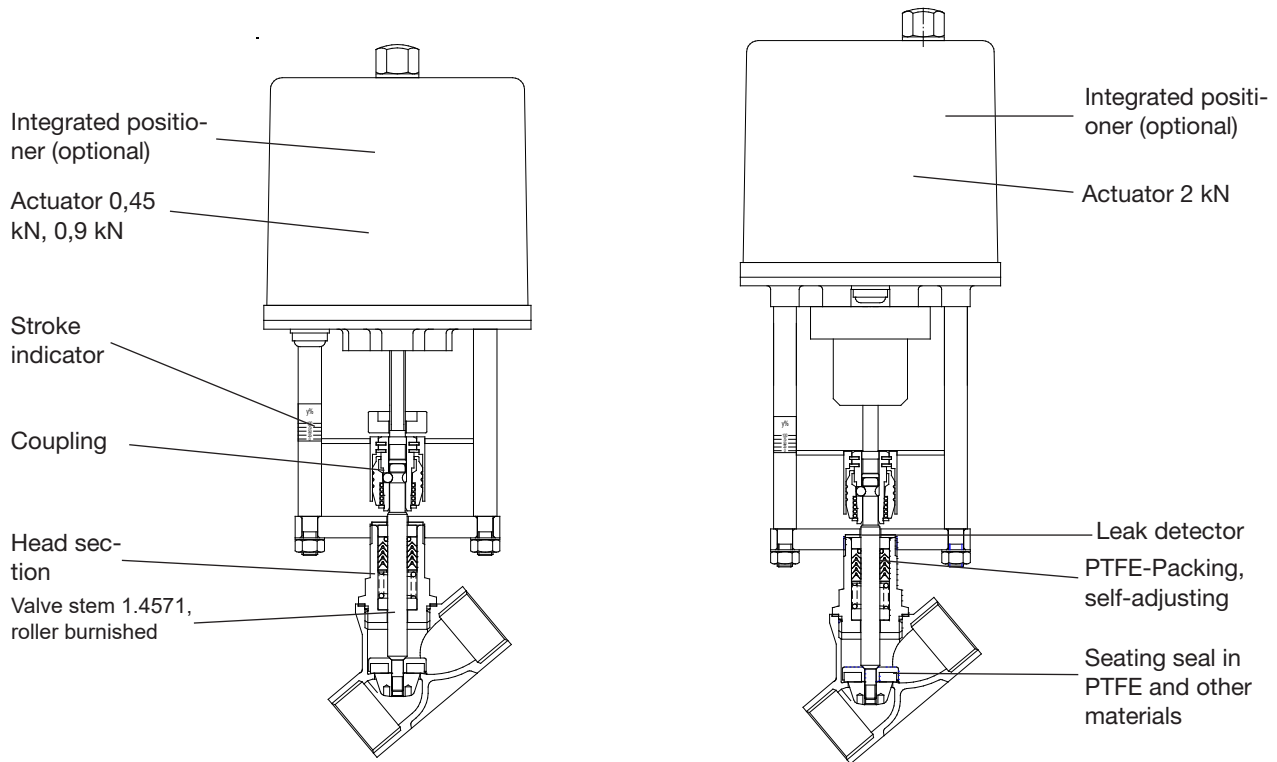
Technical Data Valve

Body Material	Brass	Bronze	Stainless steel
Nominal Sizes	DN 65 to DN 80	DN 15 to DN 50	DN 15 to DN 80
Connections:			
Pipe thread acc.			
ISO 228-1	2 1/2" - 3"	1/2" - 2"	1/2" - 3"
NPT thread	2 1/2" - 3"	1/2" - 2"	1/2" - 3"
Welding ends	-	-	1/2" - 3"
Clamp connections	-	-	1/2" - 3"
Nominal Pressure	PN 16	PN 16	PN 40
Media temperature	-30°C to 170°C	-30°C to +200°C opt. -30°C up to +220°C	-30°C to +200°C opt. -100°C up to +220°C
Ambient Temp.	-10°C to +60°C		
Viscosity	maximum 600 mm ² /s (600cSt)		
Vacuum	maximum 0.001bar abs		
Operating Pressure	maximum 12 bar		
Packing Underneath			
Working pressure for Tri-Clamp connection	maximum 16 bar		
Packing leakage	tested according to TA-Luft as defined in DIN EN ISO 15848-1 and VDI 2440		

Technical Data Motor Actuator

Actuator Force	0.9 kN; 2.0 kN
Type of Duty acc. VDE 0530	S1 - 100 % ED
Net Connections	230 VAC, 50 Hz 24 VAC, 50 Hz
Power Consumption	0.9 kN: 4.8 W; 2.0 kN: 6.6 W
Amb. Temperature	0 to 60 °C
Mounting Position	Motor not hanging downwards; (0.9kN any)
Protection Class (DIN 40050)	IP 43 (0.45 kN) optional: IP 65 (0.9 kN; 2 kN)

Angle Seat Motor Valve 7110



Admissible Differential Pressures

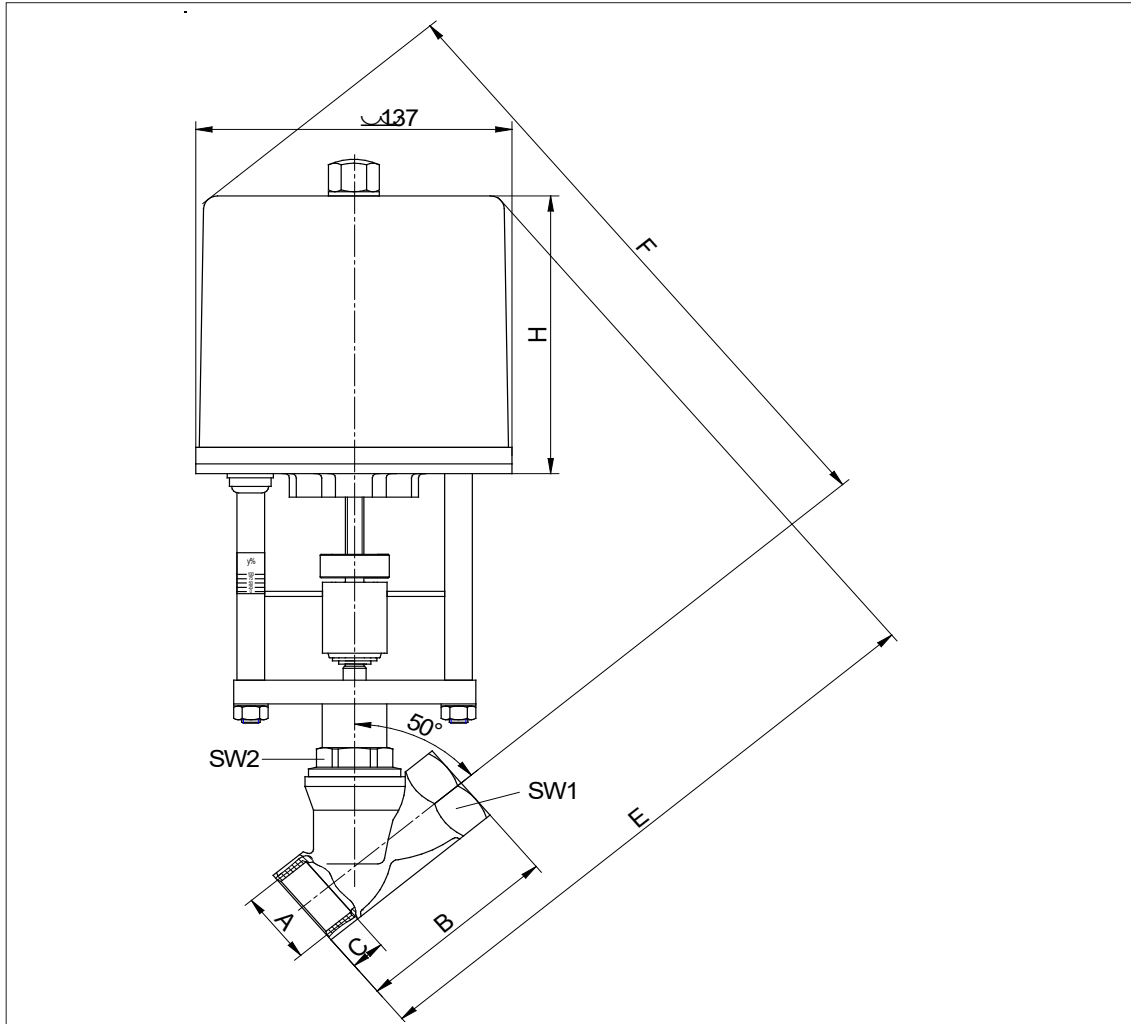
Nominal Size DN	Dp, max. bar						Actuator Force kN
	Brass On/off	Bronze On/off	Stainless Steel On/off	Stainless Steel On/off pressure balanced	Stainless Steel Control	Stainless Steel Control pressure balanced	
15	-	16	40	-	16	-	0,9
20	-	16	23	-	16	-	0,9
20	-	16	40	-	16	-	2
25	-	13	13	-	13	-	0,9
25	-	16	35	-	16	-	2
32	-	7,5	7,5	40	7,5	16	0,9
32	-	16	21	40	16	16	2
40	-	4,5	4,5	40	4,5	16	0,9
40	-	13	13	40	13	16	2
50	-	3	3	40	3	16	0,9
50	-	9	9	40	9	16	2
65	1,5	-	1,5	25	1,5	25	0,9
65	4,5	-	4,5	25	4,5	25	2
80	-	-	0,9	25	0,9	25	0,9
80	-	-	3,2	25	3,2	25	2

Kvs-Values (Stroke)

Charac- teristic DN	linear								equal percentage							
	15	20	25	32	40	50	65	80	15	20	25	32	40	50	65	80
100 %	3,8 (9,2)	8,8 (15,2)	14 (18,2)	20 (21,2)	27 (21,2)	39 (21,2)	42 (20)	54 (20)	3 (9,2)	6 (11,2)	10 (18,2)	16 (21,2)	25 (21,2)	31 (21,2)	33 (20)	43 (20,7)
63 %	-	-	-	-	-	24 (21,2)	26 (21,2)	-	-	-	-	-	-	17 (21,2)	19 (20)	-
40 %	1,5 (9,2)	3,5 (7,2)	5,8 (10,2)	8 (11,2)	11 (11,2)	-	-	-	1,2 (9,2)	2,4 (7,2)	4 (11,2)	6 (13,2)	10 (14,2)	-	-	-
25 %	0,93 (9,2)	2,2 (7,2)	3,6 (10,2)	-	-	-	-	-	0,8 (9,2)	1,5 (7,2)	2,6 (11,2)	-	-	-	-	-
15%	-	-	-	-	-	-	-	-	0,46 (9,2)	-	-	-	-	-	-	-
10%	0,4 (9,2)	-	-	-	-	-	-	-	-	-	-	-	-	-	-	-
7,5%	-	-	-	-	-	-	-	-	0,23 (9,2)	-	-	-	-	-	-	-

On-Off	3,8 (9,2)	9 (15,2)	17 (18,2)	28 (21,2)	35 (21,2)	51 (21,2)	62 (20)	74 (20)
--------	--------------	-------------	--------------	--------------	--------------	--------------	------------	------------

Dimensions and Weights



DN	Actuator kN	A G / NPT	B	C	E		F		Stroke	SW1	SW2	Kvs- values	Weight kg***	Running times sec.
					without positioner	with positioner	without positioner	with positioner						
15	0,9	1/2"	65	12	253	279	261	292	9,5	25	30	3,5	2,6	54
20	0,9	3/4"	75	13	263	289	264	295	14	31	30	8	2,8	80
25	0,9	1"	90	15	266	292	267	298	19	39	30	15	3,0	109
32	0,9	1 1/4"	110	17	295	321	271	302	21	48	30	24	3,4	120
40	0,9	1 1/2"	120	19	298	324	281	312	24	55	30	35	3,7	137
50	0,9	2"	150	21	312	338	295	326	29(24)	68	32	55	4,3	166/137
65	0,9	2 1/2"	180	25	331	357	313	344	29(24)	85	36	93	6,1	166/137
80	0,9	3"	214	33,5	376	402	308	339	29	100	41	112		166
20	2,0	3/4"	75	13	281	307	285	316	14	31	30	8	3,1	62
25	2,0	1"	90	15	286	312	286	317	19	39	30	15	3,3	84
32	2,0	1 1/4"	110	17	310	336	300	331	21	48	30	24	3,7	93
40	2,0	1 1/2"	120	19	319	345	304	335	24	55	30	35	4,0	107
50	2,0	2"	150	21	334	360	309	340	29(24)	68	32	55	4,6	129/107
65	2,0	2 1/2"	180	25	347	373	332	363	29(24)	85	36	93	6,4	129/107
80	2,0	3"	214	33,5	392	418	327	358	29	100	41	112		129

Text and pictures are not binding. We reserve the right to alter the equipment.

*** Weight with positioner: + 0.5 kg

() Values with positioner