

Hygiene Right Angle Control Valve 6020 SCHUBERT & SALZER

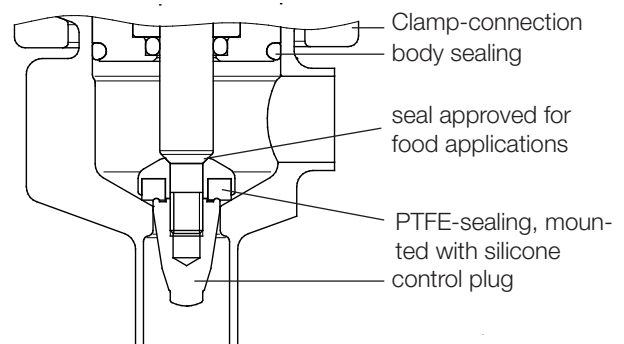
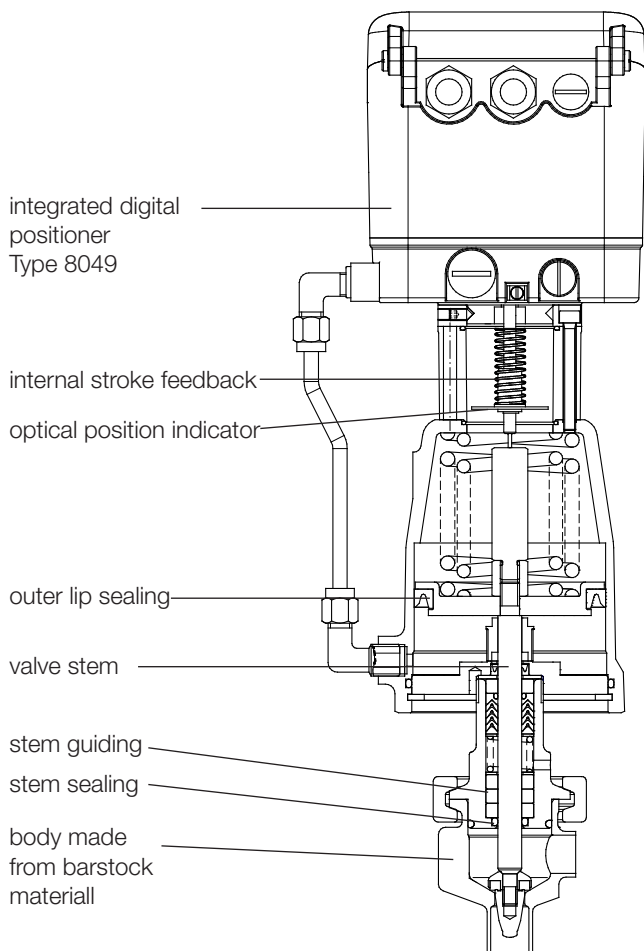
DN 15 up to DN 40

with integrated digital positioner for applications in food processing (Type 8047, 8049)



Pneumatic control valve with right angle body design and integrated positioner for applications in food processing and chemical.

- Space saving, low weight design
- Body made from stainless steel barstock
- Positioner housing in stainless steel options
- Soft seat options
- Zero steady-state air consumption
- Not sensitive to vibration
- Software configurable flow characteristics



soft sealing

Hygiene Right Angle Control Valve 6020

with integrated positioner



Technical Information Valve

Body material	Stainless steel 1.4404	
Nominal sizes	DN 15, DN 25, DN 40 (DN20 in inch)	
Connections	Welding ends DIN 11850 series 2 Welding ends acc. ISO Welding ends acc. Inch Tri-clamp acc. Inch	
Nominal pressure	PN 16	
Seating seal	soft seat	
Fluid temperature	-20°C up to +140°C (optional up to +200°C)	
Rangeability	50:1	
Surface finish	inside	precision turned Ra < 0,8 µm polished, Ra < 0,6 µm machined or electro polished Ra < 0,4 µm electro polished, Ra < 0,25 µm

Positioner

For technical information of our positioners please refer to the corresponding data sheets.

Materials

Valve body	Stainless steel 1.4404
Actuator	Stainless steel 1.4408
Diaphragm actuator	Stainless steel 1.4301
Actuator springs	Stainless steel 1.4310
Valve stem	Stainless steel 1.4404, roller burnished
Disc	Stainless steel 1.4404
Control plug	Stainless steel 1.4404
Clamp-connection	Stainless steel 1.4308
Body sealing	EPDM (O-ring) (optional: silicon, fluoraz)
Seating seal	soft seat: PTFE flat sealing
Stem sealing	EPDM (O-ring) (optional: silicon, fluoraz)
Body positioner	Type 8047: p/p-positioner = chrome plated brass i/p-positioner = chrome plated brass, plastic Type 8049: Aluminium-pressure casting KTL-coated, plastic (optional: stainless steel 1.4305)
Body position indicator	PA Trogamid T 5000 (clear)

Hygiene Right Angle Control Valve 6020

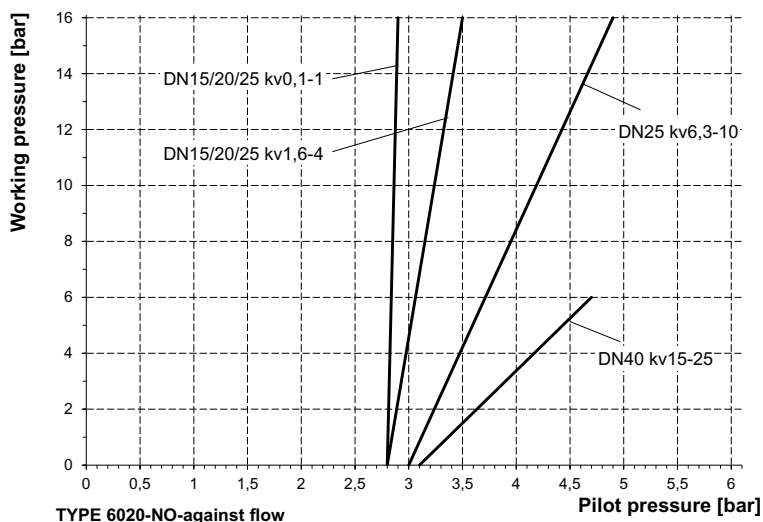
with integrated positioner



Admissible Differential Pressures

DN	Kvs - values	max. admissible differential pressure				Supply air bar	Actuator size mm
		digital positioner Type 8048 and 8049		pneumatic positioner Type 8047 p/p and i/p			
		control bar	on/off bar	control bar	on/off bar		
15	0,1 up to 1,0	16	16	--	--	3 up to 6	80
15	1,6 up to 4,0	16	16	14	16	4 up to 6	80
20	0,1 up to 1,0	16	16	--	--	3 up to 6	80
20	1,6 up to 4,0	16	16	14	16	4 up to 6	80
25	0,4 up to 1,0	16	16	--	--	3 up to 6	80
25	1,6 up to 4,0	16	16	14	16	4 up to 6	80
25	6,3 up to 10	12	16	8	12	4 up to 6	80
25	6,3 up to 10	16	16	16	16	3 up to 6	125
25	6,3 up to 10	16	16	-	-	2 bis 6	250
40	15 up to 25	5	6	3	4	4 up to 6	80
40	15 up to 25	6	16	6	14	4 up to 6	125
40	15 up to 25	6	16	--	--	2,8 up to 6	250

Admissible Differential Pressures (spring to open acuator D80)



Hygiene Right Angle Control Valve 6020

with integrated positioner



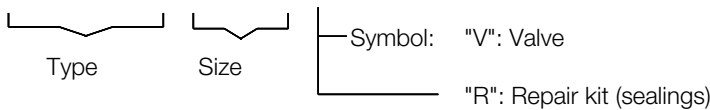
Kvs- Values

characteristic	linear				equal percentage			
	DN 15	20	25	40	15	20	25	40
full	4	4	10	25	4	4	10	20
reduced (63 %)	2,5	2,5	6,3	16	2,5	2,5	6,3	15
reduced (40 %)	1,6	1,6	4	10	1,6	1,6	4	-
reduced (25 %)	1	1	2,5	-	-	-	2,5	-
reduced (16 %)	0,63	0,63	1,6	4	-	-	1,6	4
reduced (10 %)	0,4	0,4	1	2,5	-	-	-	2,5
reduced (6,3 %)	0,25	0,25	0,63	1,6	-	-	-	1,6
reduced (4 %)	-	-	0,4	-	-	-	-	-
reduced (2,5 %)	0,1	0,1	0,25	-	-	-	-	-
stroke (mm)	16							

DN20 only in inch available

Ordering Number System

6	0	2	0	/				V								S
---	---	---	---	---	--	--	--	---	--	--	--	--	--	--	--	---



1 - 6 : Please quote all 6 sections.
7 - 12: Quote only if required.

1. Design	2. Connections	3. Body material	4. Trim	5. Positioner	6. Actuator
0 Hygiene right angle control valve Type 6020	D Welding ends acc. DIN 11850, series 2 I Welding ends acc. ISO E Welding ends acc. inch Z Tri-clamp acc. inch	2 Stainless steel 3 Stainless steel 1.4404 electropolished Ra < 0,6 µm	0 soft seat	6 p/p positioner, Type 8047 7 i/p positioner, Type 8047 8 i/p positioner with plug connection M12x1, Type 8047 9 i/p positioner ex-proof (II 2 G Eex ib IIC T6), plug connection M12x1, Type 8047 C digital positioner, Type 8049 4 wire R digital positioner Type 8049 2 wire T digital positioner Type 8049 AS-i version W digital positioner Type 8049 2 wire, ex-version	1 Piston 80 mm (stainless steel bonnet) 2 Piston 125 mm (stainless steel bonnet) C diaphragm D 250

7. Springs	8. Flow characteristic	9. Stem sealing	10. Kvs-value	11. Accessories	12. Special versions
- standard 1 spring open (only with dig. positioner) R 4 springs (D250) T 6 springs (D250)	- linear 1 equal percentage	- EPDM (FDA) 1 silicon (FDA) 2 fluoraz 200°C (FDA)	- full (100 %) A red. 63 % 1 red. 40 % 2 red. 25 % 3 red. 16 % 4 red. 10% 5 red. 6,3 % 6 red. 4 % 7 red. 2,5%	- without	S Quote for further special versions.

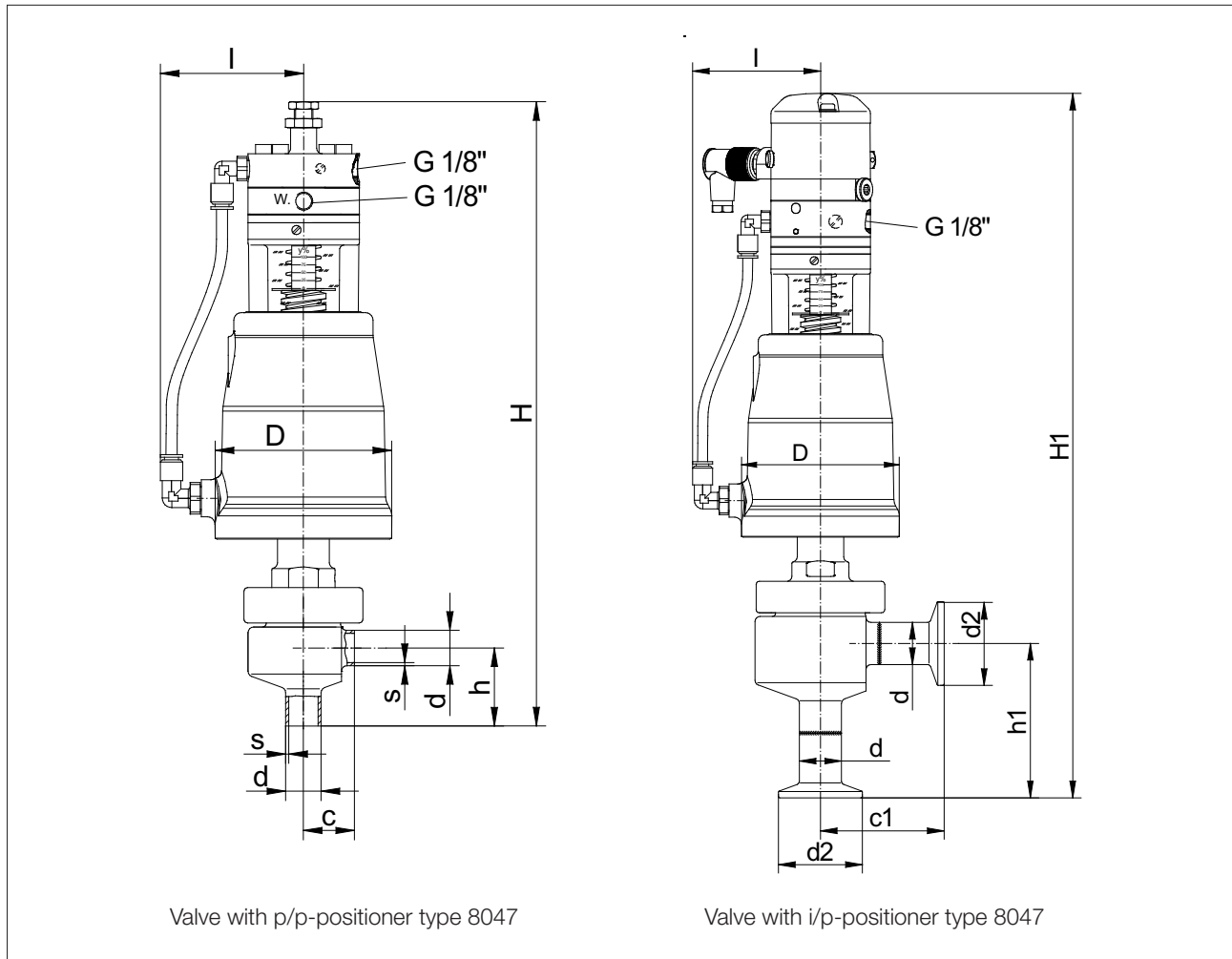
Ordering example: 6020/015V0D20C1-1-1
Hygiene right angle control valve type 6020, DN 15, welding ends acc. DIN 11850, stainless steel body 1.4404, soft sealing, digital positioner 4-wire, actuator 80 mm, linear flow characteristic, Kvs-value reduced to 40 % (Kvs 1,6).

Hygiene Right Angle Control Valve 6020

with integrated positioner



Dimensions and Weights



DN	Actuator Ø	DIN DIN 11850 series 2				ISO				Inch				Tri-Clamp acc. Inch			
		d	s	c	h	d	s	c	h	d	s	c	h	d	d2	c1	h1
15	80	19	1,5	27,5	42	21,3	1,6	27,5	41	12,7	1,65	27,5	42	12,7	25	56	70,5
20	80	-	-	-	-	-	-	-	-	19,05	1,65	27,5	42	19,05	25	56	70,5
25	80	29	1,5	35,5	54,5	33,7	2	35,5	52	25,4	1,65	35,5	54	25,4	50,5	74,5	93
25	125	29	1,5	35,5	54,5	33,7	2	35,5	52	25,4	1,65	35,5	54	25,4	50,5	74,5	93
40	80	41	1,5	48	62,5	48,3	2	48	59	38,1	1,65	48	62,5	38,1	50,5	87	101,5
40	125	41	1,5	48	62,5	48,3	2	48	59	38,1	1,65	48	62,5	38,1	50,5	87	101,5

DN	Actuator Ø	D	I		H		H1		Weight (~kg)	
			8047		8047		8047		8047	
			p/p	i/p	p/p	i/p	p/p	i/p	p/p	i/p
15	80	96	90	80	338	368	366	396	4,1	4,4
20	80	96	90	80	338	368	366	396	4,1	4,4
25	80	96	90	80	355	385	394	424	4,6	4,9
25	125	146	105	105	375	405	414	464	7,3	7,6
40	80	96	90	80	370	400	409	439	5,9	6,2
40	125	146	105	105	390	420	429	459	8,6	8,9

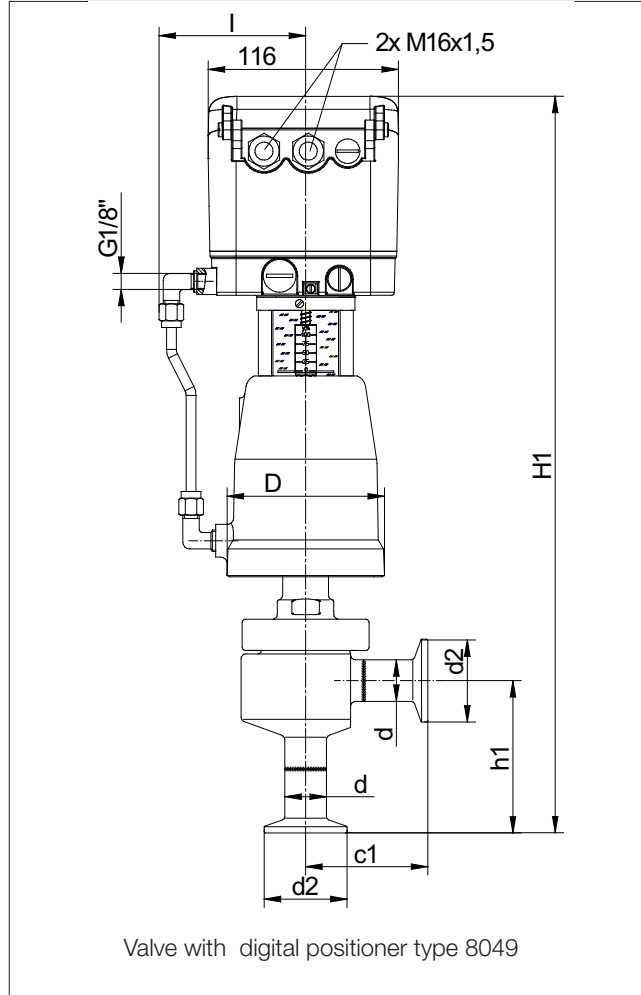
Dimensions in mm

Hygiene Right Angle Control Valve 6020

with integrated positioner



Dimensions and Weights



DN	Actuator Ø	DIN DIN 11850 series 2				ISO				Inch				Tri-Clamp acc. Inch			
		d	s	c	h	d	s	c	h	d	s	c	h	d	d2	c1	h1
15	80	19	1,5	27,5	42	21,3	1,6	27,5	41	12,7	1,65	27,5	42	12,7	25	56	70,5
20	80	-	-	-	-	-	-	-	-	19,05	1,65	27,5	42	19,05	25	56	70,5
25	80	29	1,5	35,5	54,5	33,7	2	35,5	52	25,4	1,65	35,5	54	25,4	50,5	74,5	93
25	125	29	1,5	35,5	54,5	33,7	2	35,5	52	25,4	1,65	35,5	54	25,4	50,5	74,5	93
40	80	41	1,5	48	62,5	48,3	2	48	59	38,1	1,65	48	62,5	38,1	50,5	87	101,5
40	125	41	1,5	48	62,5	48,3	2	48	59	38,1	1,65	48	62,5	38,1	50,5	87	101,5

DN	Actuator Ø	D	l	H	H1	Weight (~kg)
15	80	96	80	395	424	4,8
20	80	96	80	395	424	4,8
25	80	96	80	412	451	5,3
25	125	146	105	432	471	8,0
40	80	96	80	426	465	6,6
40	125	146	105	446	485	9,3

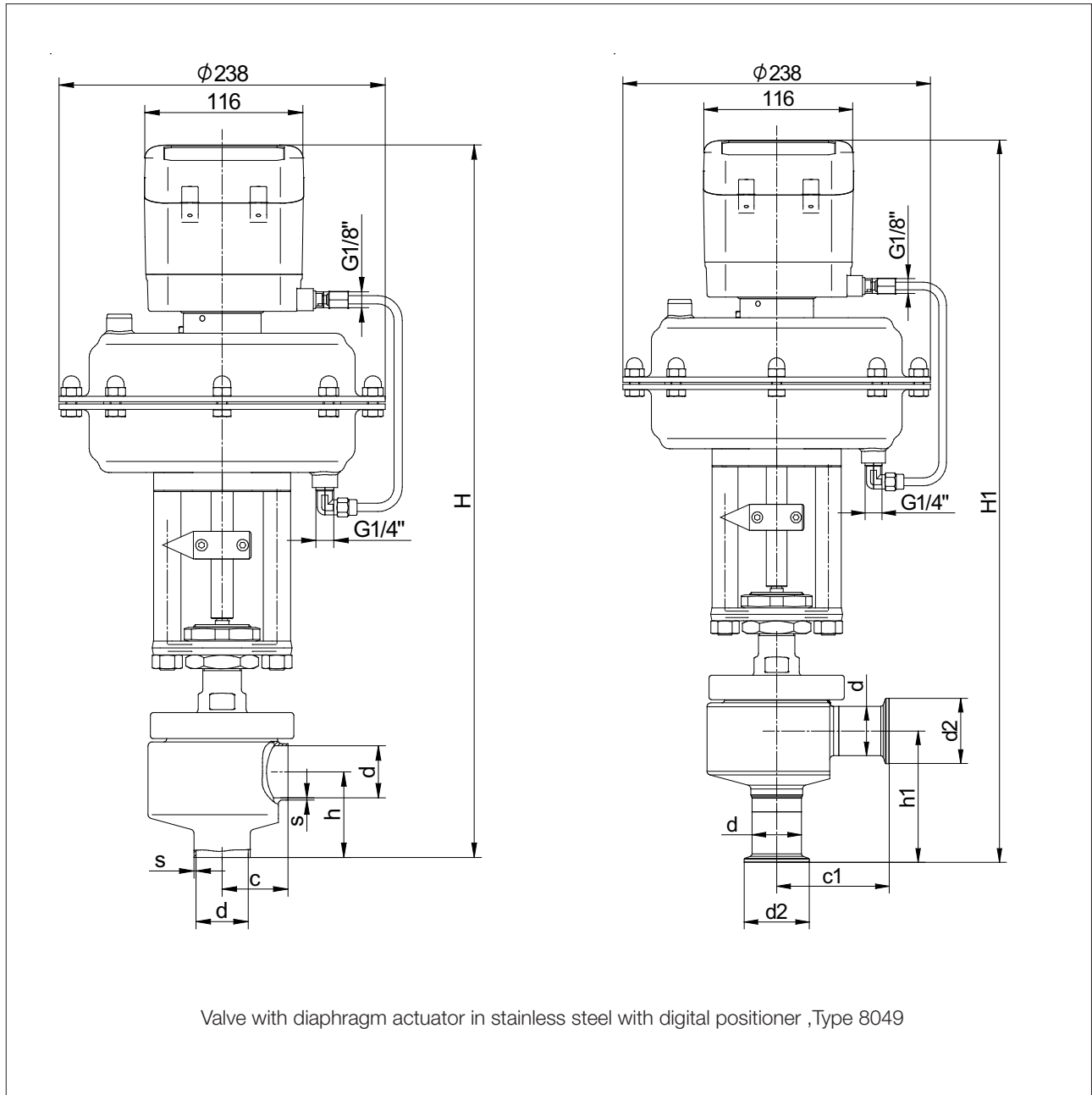
Dimensions in mm

Hygiene Right Angle Control Valve 6020

with integrated positioner



Dimensions and Weights



Text and pictures are not binding. We reserve the right, to alter the equipment.

DN	Actuator Ø	DIN DIN 11850 series 2				ISO				Inch				Tri-clamp acc. Inch				H	H1	Weight (~kg)
		d	s	c	h	d	s	c	h	d	s	c	h	d	d2	c1	h1			
25	250	29	1,5	35,5	54,5	33,7	2	35,5	52	25,4	1,65	35,5	54	25,4	50,5	74,5	93	432	471	16,0
40	250	41	1,5	48	62,5	48,3	2	48	59	38,1	1,65	48	62,5	38,1	50,5	87	102	446	485	17,3

Dimensions in mm