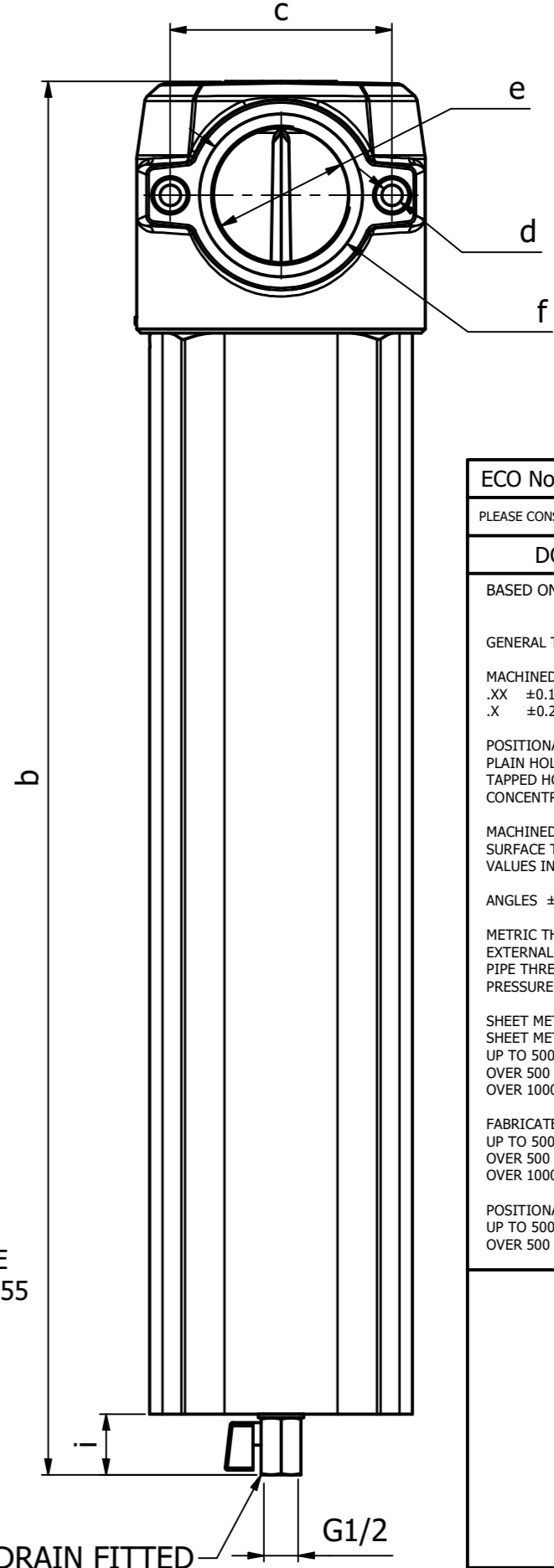
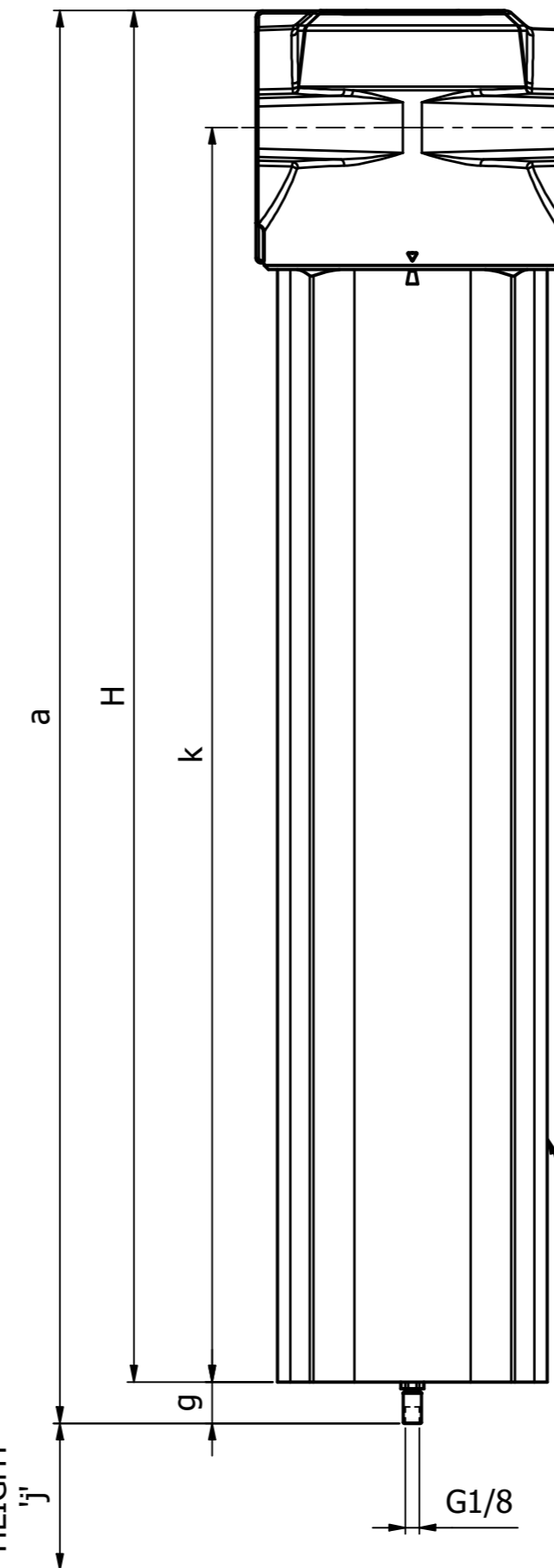
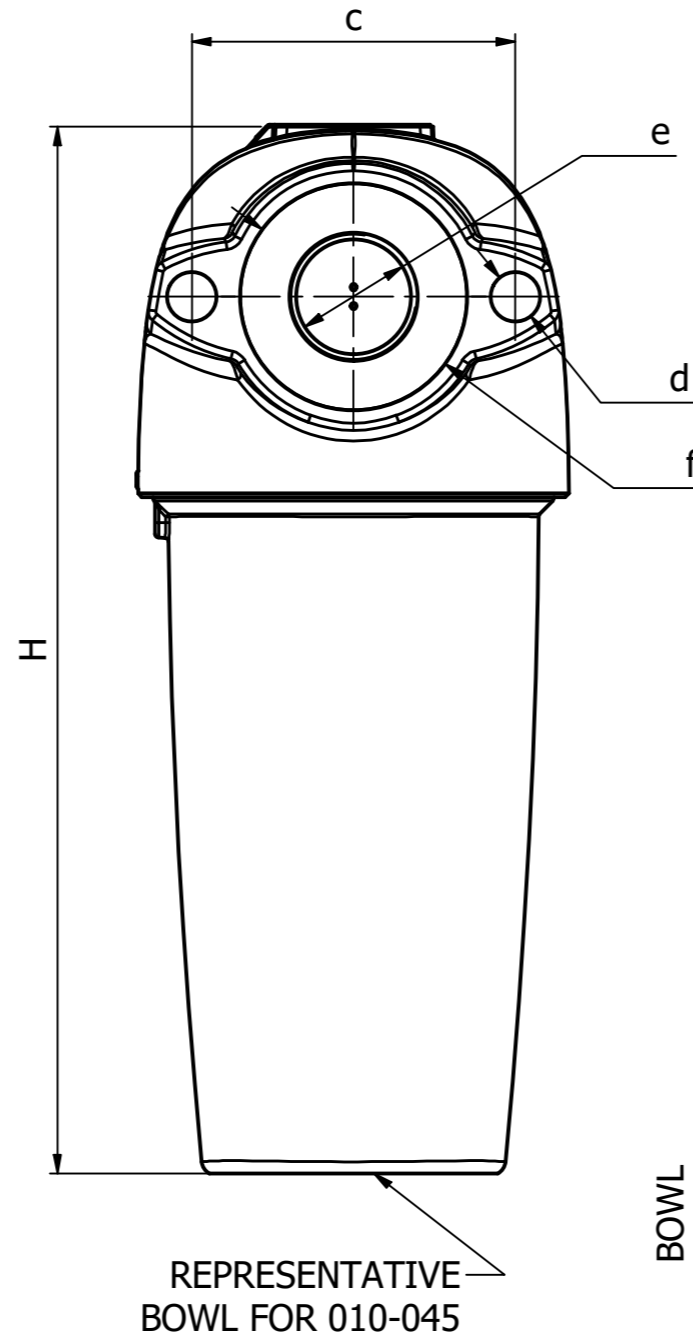
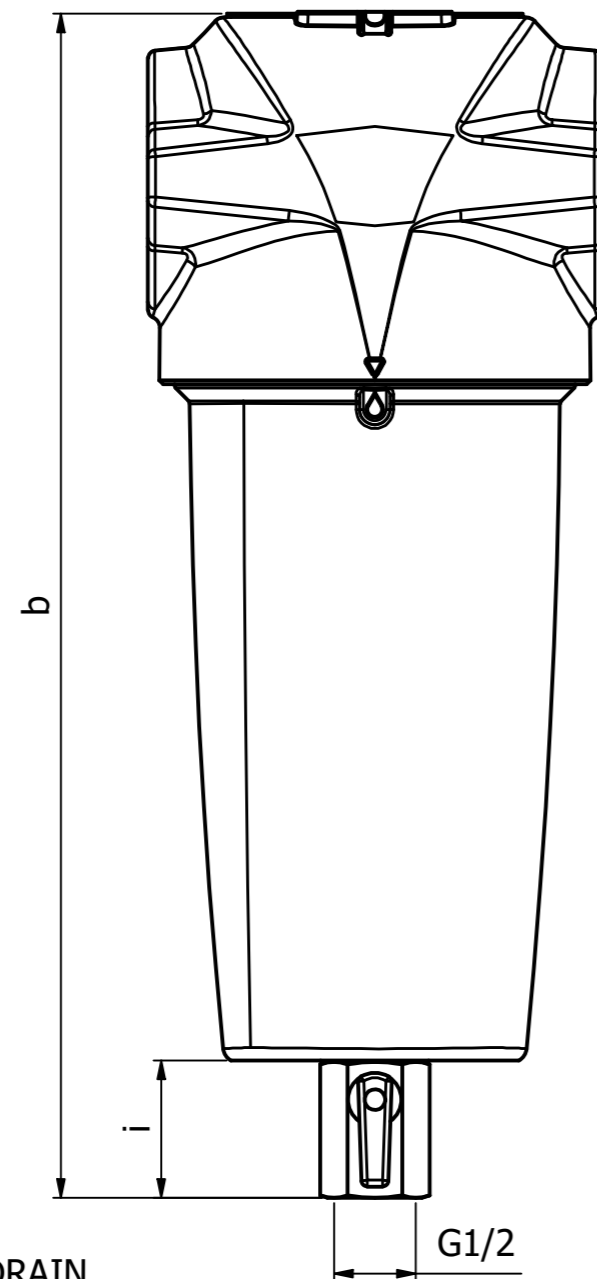
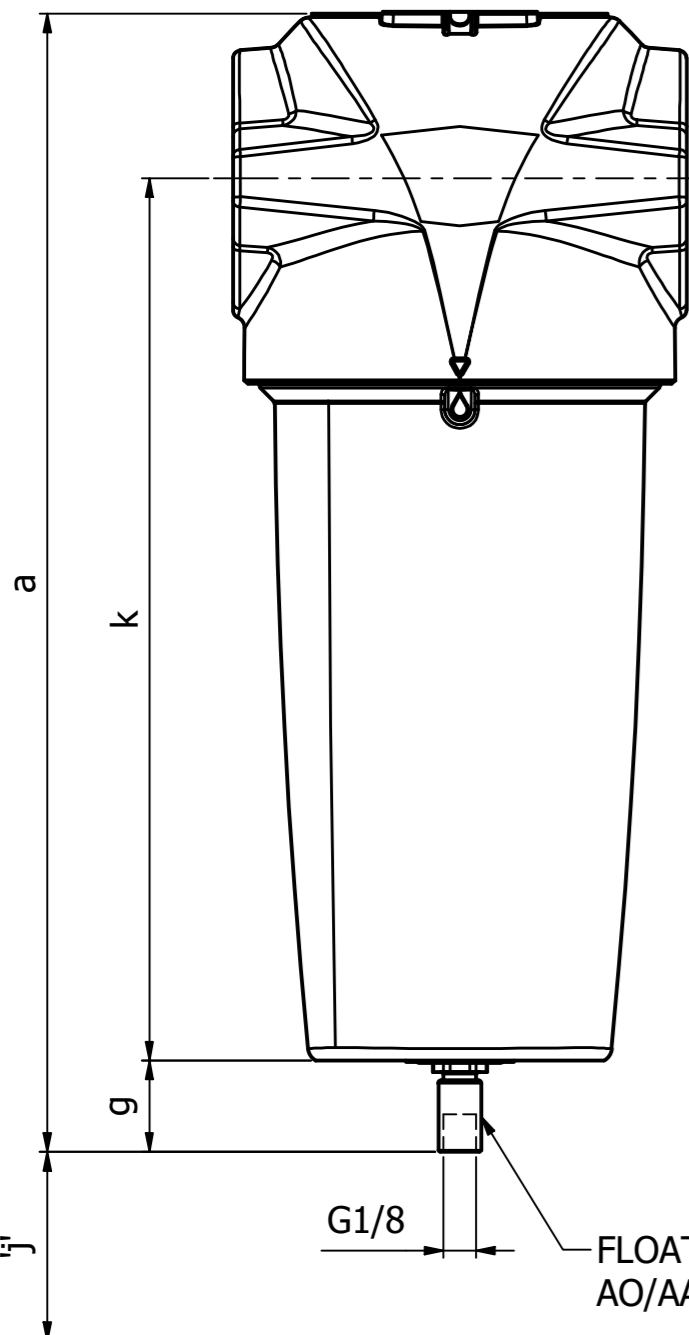
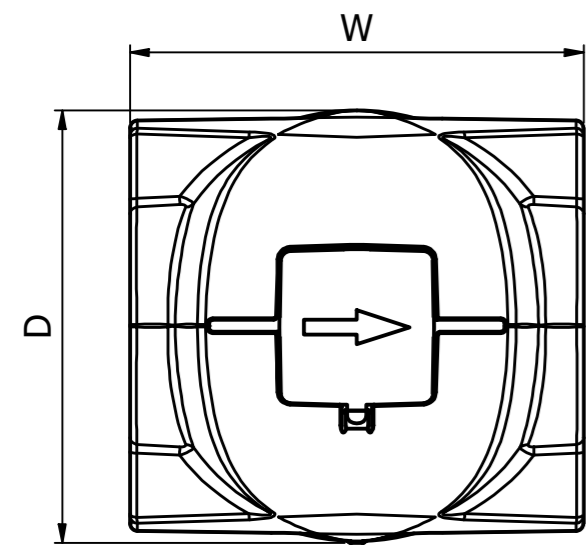


MODEL	HEIGHT (H)		WIDTH (W)		DEPTH (D)		WEIGHT		a		b		c		d		e*	f		g		i		j		k		Internal Volume
	mm	ins	mm	ins	mm	ins	kg	lbs	mm	ins	mm	ins	mm	ins	mm	ins	NPT / BSPP	mm	ins	mm	ins	mm	ins	mm	ins	mm	ins	LTRS
PX010A	180.0	7.09	76.0	2.99	65.0	2.56	0.81	1.78	210.0	8.27	218.0	8.59	42.0	1.65	6.50	0.26	1/4"	30.0	1.18	30.0	1.18	38.0	1.50	50.0	1.97	154.0	6.06	0.265
PX010B	180.0	7.09	76.0	2.99	65.0	2.56	0.81	1.78	210.0	8.27	218.0	8.59	42.0	1.65	6.50	0.26	3/8"	30.0	1.18	30.0	1.18	38.0	1.50	50.0	1.97	154.0	6.06	0.265
PX010C	180.0	7.09	76.0	2.99	65.0	2.56	0.81	1.78	210.0	8.27	218.0	8.59	42.0	1.65	6.50	0.26	1/2"	30.0	1.18	30.0	1.18	38.0	1.50	50.0	1.97	154.0	6.06	0.265
PX015B	238.0	9.37	89.0	3.50	84.0	3.31	1.41	3.10	268.0	10.55	276.0	10.87	62.0	2.44	9.00	0.35	3/8"	44.0	1.73	30.0	1.18	38.0	1.50	50.0	1.97	202.0	7.95	0.620
PX015C	238.0	9.37	89.0	3.50	84.0	3.31	1.41	3.10	268.0	10.55	276.0	10.87	62.0	2.44	9.00	0.35	1/2"	44.0	1.73	30.0	1.18	38.0	1.50	50.0	1.97	202.0	7.95	0.620
PX020C	238.0	9.37	89.0	3.50	84.0	3.31	1.41	3.10	268.0	10.55	276.0	10.87	62.0	2.44	9.00	0.35	1/2"	44.0	1.73	30.0	1.18	38.0	1.50	50.0	1.97	202.0	7.95	0.620
PX020D	238.0	9.37	89.0	3.50	84.0	3.31	1.41	3.10	268.0	10.55	276.0	10.87	62.0	2.44	9.00	0.35	3/4"	44.0	1.73	30.0	1.18	38.0	1.50	50.0	1.97	202.0	7.95	0.620
PX025D	277.0	10.91	120.0	4.72	115.0	4.53	2.66	5.86	307.0	12.09	315.0	12.41	86.0	3.39	13.00	0.51	3/4"	60.0	2.36	30.0	1.18	38.0	1.50	70.0	2.76	232.0	9.13	1.548
PX025E	277.0	10.91	120.0	4.72	115.0	4.53	2.66	5.86	307.0	12.09	315.0	12.41	86.0	3.39	13.00	0.51	1"	60.0	2.36	30.0	1.18	38.0	1.50	70.0	2.76	232.0	9.13	1.548
PX030E	367.0	14.45	120.0	4.72	115.0	4.53	3.01	6.63	397.0	15.63	405.0	15.95	86.0	3.39	13.00	0.51	1"	60.0	2.36	30.0	1.18	38.0	1.50	70.0	2.76	322.0	12.68	1.857
PX030G	367.0	14.45	120.0	4.72	115.0	4.53	3.01	6.63	397.0	15.63	405.0	15.95	86.0	3.39	13.00	0.51	1 1/2"	60.0	2.36	30.0	1.18	38.0	1.50	70.0	2.76	322.0	12.68	1.857
PX035G	440.0	17.32	164.0	6.46	157.0	6.18	6.87	15.14	470.0	18.50	478.0	18.82	121.0	4.76	13.00	0.51	1 1/2"	92.0	3.62	30.0	1.18	38.0	1.50	100.0	3.94	383.0	15.07	4.4
PX040H	532.0	20.94	164.0	6.46	157.0	6.18	7.18	15.82	562.0	22.12	570.0	22.44	121.0	4.76	13.00	0.51	2"	92.0	3.62	30.0	1.18	38.0	1.50	100.0	3.94	475.0	18.70	5.35
PX045H	532.0	20.94	164.0	6.46	157.0	6.18	7.18	15.82	562.0	22.12	570.0	22.44	121.0	4.76	13.00	0.51	2"	92.0	3.62	30.0	1.18	38.0	1.50	100.0	3.94	475.0	18.70	5.35
PX045I	532.0	20.94	164.0	6.46	157.0	6.18	7.18	15.82	562.0	22.12	570.0	22.44	121.0	4.76	13.00	0.51	2 1/2"	92.0	3.62	30.0	1.18	38.0	1.50	100.0	3.94	475.0	18.70	5.35
PX050I	654.0	25.75	192.0	7.56	183.0	7.20	10.18	22.43	686.0	27.00	692.0	27.25	140.0	5.51	13.00	0.51	2 1/2"	103.0	4.06	32.0	1.25	38.0	1.50	120.0	4.72	582.0	22.91	11.0
PX055I	844.0	33.23	192.0	7.56	183.0	7.20	15.78	34.78	876.0	34.48	882.0	34.73	140.0	5.51	13.00	0.51	2 1/2"	103.0	4.06	32.0	1.25	38.0	1.50	120.0	4.72	772.0	30.39	14.0
PX055J	844.0	33.23	192.0	7.56	183.0	7.20	15.78	34.78	876.0	34.48	882.0	34.73	140.0	5.51	13.00	0.51	3"	103.0	4.06	32.0	1.25	38.0	1.50	120.0	4.72	772.0	30.39	14.0

\*THREADED CONNECTION 'e' CAN BE EITHER BSPP OR NPT



ECO No. 0366404	REV B
PLEASE CONSIDER THE ENVIRONMENT PRIOR TO PRINTING THIS DRAWING	
<b>DO NOT SCALE - IF IN DOUBT ASK</b>	
BASED ON BS 8888	DIMENSIONS IN MILLIMETRES
GENERAL TOLERANCES UNLESS OTHERWISE STATED	
MACHINED DIMENSIONS	
.XX ±0.13	UP TO 300 ±0.3
.X ±0.25	OVER 300 TO 600 ±0.5
POSITIONAL TOLERANCE	
PLAIN HOLES	00.13
TAPPED HOLES	00.26
CONCENTRICITY TOLERANCE	0.13 TIR
MACHINED SURFACES INDICATED THUS	
SURFACE TEXTURE TO BS 1134	
VALUES IN MICROMETRES	
ANGLES ±1/2° (EXCEPT CHAMFERS)	
METRIC THREADS TO BS 3643 MED. CLASS	
EXTERNAL	6g
INTERNAL	6h
PIPE THREADS	
PRESSURE TIGHT TO BS 21	
SHEET METALWORK & FABRICATIONS	
SHEET METALWORK DIMENSIONS	
UP TO 500	±0.5
OVER 500 TO 1000	±1.0
OVER 1000	±1.5
FABRICATED PARTS DIMENSIONS	
UP TO 500	±2
OVER 500 TO 1000	±4
OVER 1000	±6
POSITIONAL TOLERANCE FOR PLAIN & TAPPED HOLES	
UP TO 500	01.0
OVER 500	02.0
<b>Parker</b>	
Parker Hannifin Manufacturing Ltd	
Filtration & Separation Division	
Dukesway, Team Valley	
Gateshead, Tyne & Wear	
England, NE11 0PZ	
TEL +44 (0)191 402 9000	
FAX +44 (0)191 482 6296	
www.parker.com/dhms	
THIS DOCUMENT IS COPYRIGHT AND IS THE PROPERTY OF PARKER HANNIFIN LTD. IT MUST NOT BE COPIED IN WHOLE OR PART, USED FOR MANUFACTURE OF, OR OTHERWISE DISCLOSED WITHOUT PRIOR WRITTEN CONSENT OF THE COMPANY	
DRG No.	© 2021 A2
101-10773	SHEET
	1 / 1

MATERIAL	SCALE		DRAWN	CHECKED	APPROVED	TITLE	
GEN. ARRT.	1:2		NAME	DTR	MG	KW	AO/AA/ACS PX010-055
			DATE	07/04/2021	19/04/2021	19/04/2021	DIMENSIONS