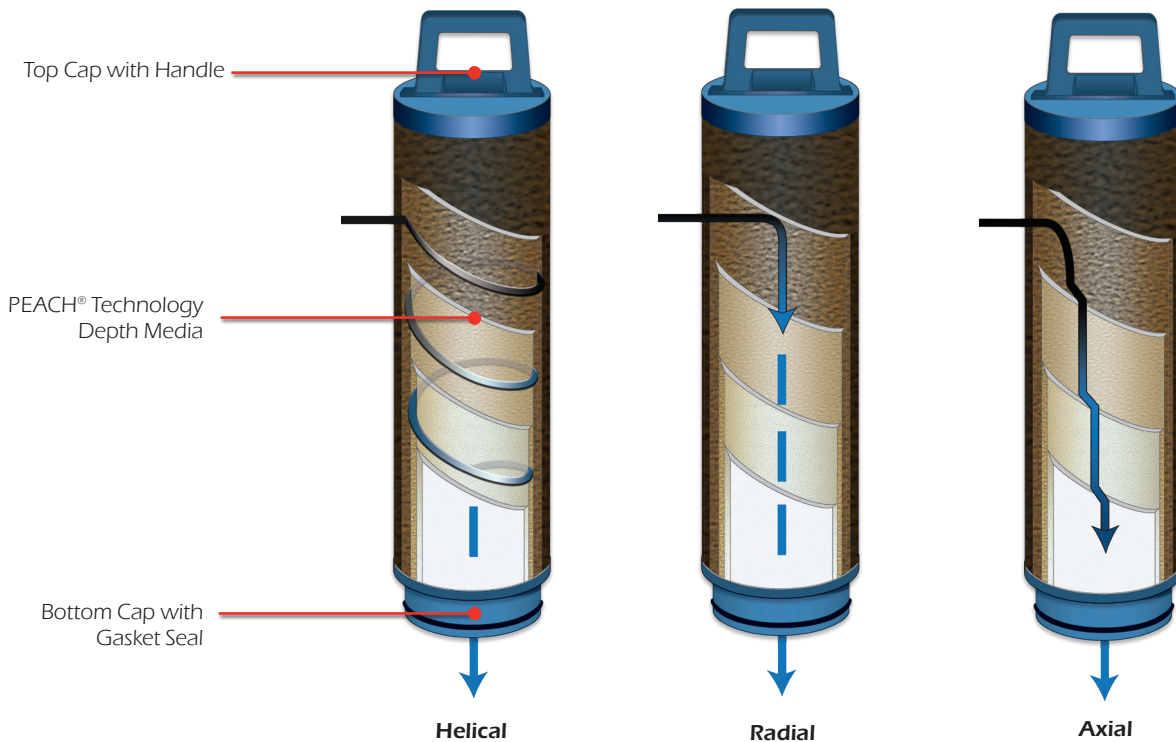


PEACH[®] DynaSep[™]

GAS FILTER-SEPARATOR CARTRIDGES

for use in TITAN PuraSep[™] Housings

PEACH[®] DynaSep[™] cartridges provide excellent removal of deformable and shear sensitive contaminants from natural gas streams. The unique end cap design requires no tools, allowing for easy installation & removal during change-outs. The inclusion of EZ-Align[™] ensures a positive seal and prevents cartridge sagging. The unprecedented multi-directional, tortuous flow path creates a true gradient depth filter that increases time for contaminant removal while maintaining porosity and permeability through the media. PEACH[®] cartridges have become a go-to filter product by customers who have seen the benefits of longer on-stream service life between change-outs and improved effluent gas quality.



Three Flow Paths for Unparalleled Filtration

PEACH[®] DynaSep[™] provides a multi-directional, tortuous flow path (helical, radial and axial) to increase the probability of capturing particles throughout the filter media. The unique helical bonded layers create a true gradient depth for contaminant to be removed throughout the filter.

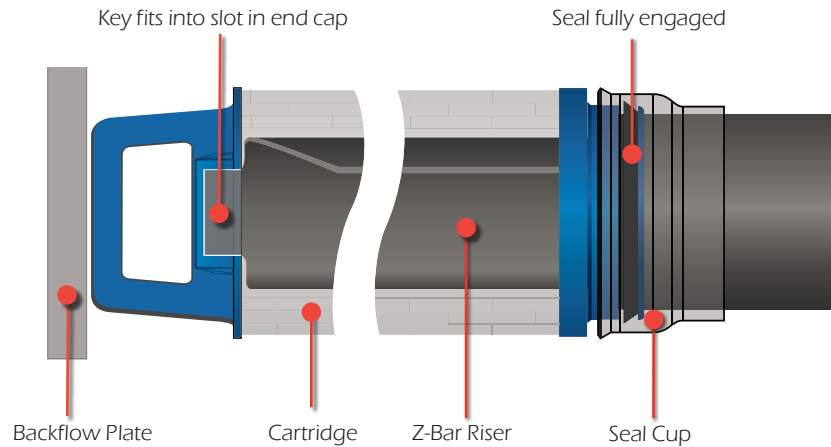
MATERIAL OPTIONS

MEDIA	PEACH [®] Depth Technology – Polyester or Polypropylene
END CAPS	Polyester or Polypropylene
CORE*	None or Plated Steel
SEAL	Buna-N, EPDM, HNBR or Viton [®]

* 0.1 and 1 micron cartridges come standard with no core (optional to add).
0.3, 0.5, 5 and 10 micron cartridges come standard with core.

EZ-Align™ (patent pending)

EZ-Align™ features an alignment key between the housing riser and cartridge end cap. This allows the cartridge to be held concentric to the riser and will prevent sagging as the cartridge becomes loaded with liquid contaminants. It also ensures that the cartridge gasket seal remains firm against the riser seal cup wall so bypass does not occur. Even better, no tools are required to install or remove cartridges, making change-outs a breeze!



OPERATING DATA

MAX. TEMPERATURE	Polyester 116°C / Polypropylene 82°C
MAX. PRESSURE	1.7 bar without metal core 3.4 bar with metal core
RECOMMENDED CHANGE-OUT PRESSURE	0.8–1.0 bar
FLOW DIRECTION	outside-to-inside

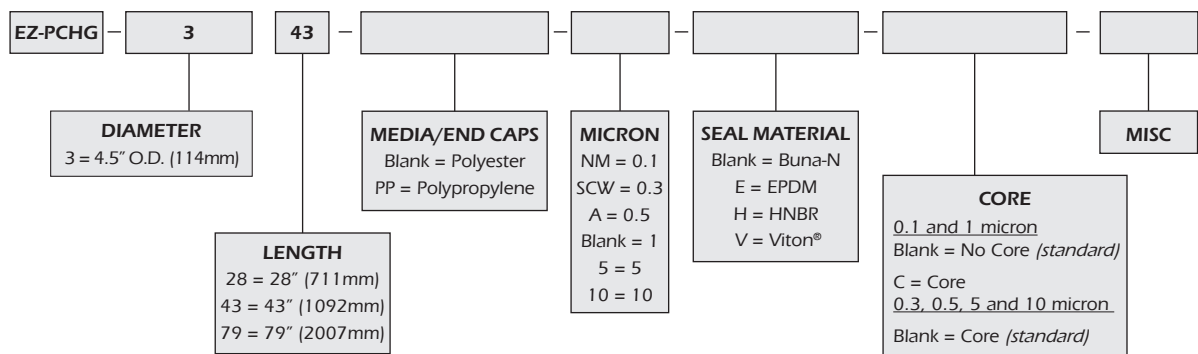
PERFORMANCE

MICRON RATINGS..... 0.1, 0.3, 0.5, 1, 5 and 10

The 0.1 µm rated cartridge contains ProTura NanoMatrix™ nano fibers within the PEACH® depth structure

EFFICIENCY..... Absolute - removes over 99.98% of solid contaminants at rated micron & larger

NOMENCLATURE



* Not all combinations are available. Consult aftermarket services for verification.

©2016 PECOFacet

PECOFacet has a policy of continuous product research and development and reserves the right to change design and specifications without notice.



pecofacet.com

For inquires email: sales@pecofacet.com

Viton® is a registered trademark of E. I. du Pont de Numours and Company.

PECOFacet, PEACH, EZ-Align, Dynasep and Titan PuraSep are trademarks of PECOFacet. ® indicates a PECOFacet trademark registered in the USA and various other countries.

Patent(s) and/or patent(s) pending detailed at: www.pecofacet.com/About-Us/Legal/Patents

Refer to the website for the most current literature editions.

OG-PCHG-TD-06
(PFMW OG201701 A4)