

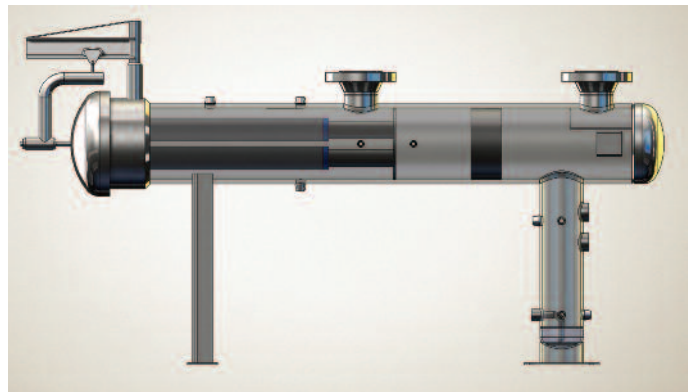
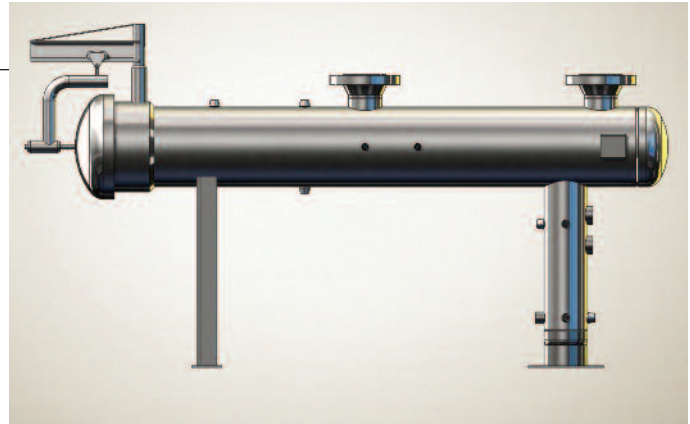
Boot-Sep™

Natural Gas Production & Gathering Industry Filter Separator

The Boot-Sep GX is designed and constructed in accordance with ASME, comes with genuine PECO FibrSep GX elements installed and has a quick opening closure. Designed specifically for the demands of the natural gas production and gathering industry you can expect it to be ready go, easy to install and maintain. Whether you're building a new gathering system or trying to improve the performance of existing compressors and processing equipment, the Boot-Sep GX is the most convenient and economical device for protecting your investment from scale, rust, slag, hydrocarbon liquids, brine and other contaminants.

When you need it, where you need it, the Boot-Sep GX filter separator will get the job done. We keep three sizes in inventory ready for same day shipment at highly competitive prices.

Call PECO today and have a Boot-Sep GX delivered tomorrow.



MATERIALS OF CONSTRUCTION

- Pressure Retaining Parts – Carbon Steel
- Saddle Support and base plates – Carbon Steel
- Element support plate and risers – Carbon Steel
- Mesh pad – Stainless Steel

APPLICATIONS

- Compressor suction
- Contactor inlets
- Upstream of meters and valves

FEATURES AND BENEFITS

- Quick opening closure
- FibrSep GX Elements
- Instrument and valve connections
- In Stock
- Priced Right
- PECO support

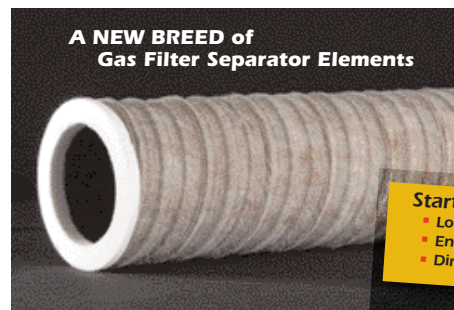
FEATURING **FibrSepGX™**
SCHEDULED MAINTENANCE

SIZES (upper barrel diameter)

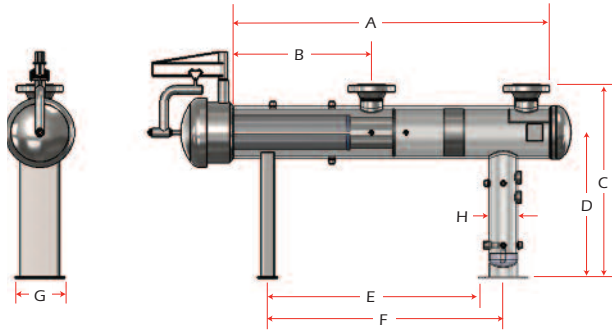
- 12" ■ 16" ■ 24"

DESIGN

Pressure	Temperature	Corrosion Allowance	Code
1440 psig	-20° to 100° F	0 in.	ASME Section VII, Div. 1



DIMENSIONS



Vessel Dimensions

O.D. [in.]	A [in.]	B [in.]	C [in.]	D [in.]	E [in.]	F [in.]	G [in.]	H [in.]
12.75	96	60	54.75	42.375	62.3125	68.3125	14	8.625
16	102	48	58.5	44	64	71.5	15	8.625
24	108	48	68	48	72	80	25	12.75

Nozzle Schedule

Service	Qty.	Size [in.]	Rating	Type	Material
Inlet (12 / 16 / 24)	1	4 / 6 / 8	600#	ANSI RF	SA 105
Outlet (12 / 16 / 24)	1	4 / 6 / 8	600#	ANSI RF	SA 105
Sight Glass	2	3/4	3000#	FNPT	SA 105
Auto Dump	1	1	3000#	FNPT	SA 105
Drains	1	1	3000#	FNPT	SA 105
LLC	1	2	3000#	FNPT	SA 105
DPI	2	—	3000#	FNPT	SA 105
PSV	1	1	3000#	FNPT	SA 105
Blow Down	1	1	3000#	FNPT	SA 105
Clean-out	2	2	3000#	FNPT	SA 105 SA 105
Aux.	2	1	3000#	FNPT	

PURCHASING INFORMATION

Model Numbers

- 12"** GPFS-12-1440-4
- 16"** GPFS-16-1440-6
- 24"** GPFS-24-1440-8



Walters Industrial Park / P.O. Box 640 / Mineral Wells, TX 76068
 Phone 940.325.2575 / 1.800.877.PECO / Fax 940.325.4622
 perryequipment.com / Email PECOElements@PECOFacet.com

Brought to you by PECOFacet
 a CLARCOR company

© 2009 PECOFacet
 PECOFacet has a policy of continuous
 product research and development
 and reserves the right to change design
 and specifications without notice.

FS-BS-TD-01 7/10