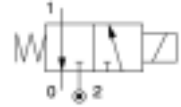


General information

Lucifer ref.: E131K06	Body: Brass body
Global ref.: 7131KBG2JV00	Seat disc: FKM
Housing ref.: 2995	Ways notation: 3/2
Coil ref.: 481865	Valve function: Normally closed
Protection class: -	Valve actuation: Direct operated
Assembly wt. (g): 310	Mounting: Pipe mounting



Specifications

Connection / Orifice

Port size (inches): 1/4
 Nom. dia. (mm): 2
 Orifice EXH. (mm): 2.5

Flow factors

Qn (L/min): 140
 Qn EXH. (L/min): 220
 C (dm³/s bar): 0.52
 Kv (L/min): 2.5
 Kv EXH. (L/min): 3.5
 Qmax (L/min): 8

Temperature values (°C)

a. Fluid temperatures

	Min.	Max.
With air:	-10	100
With water:	0	100
With steam:	-	-
With oil:	-10	100

Pressure values (Bar)

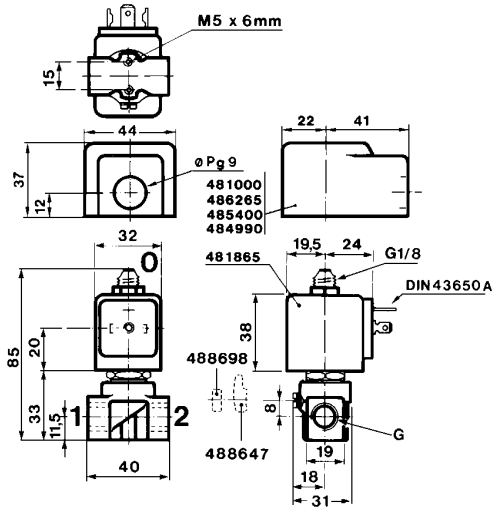
Min. pressure: 0.00
 Max. press. (DC): 10.00
 Max. press. (AC): 10.00

Power values (W)

Power DC: 9
 Power AC: 8

b. Ambient temperatures

Minimum: -10
 Maximum: 50



Dimension drawing