

### 3.3 Encapsulated electrical parts “m”:

#### 3.3.1 22 mm electrical part

1



**Application:** Control of solenoid valves in dangerous areas where explosion-proof protection EEx m II T4 or T5 is required.

**Benefits:** coil and magnetic circuit encapsulated in synthetic material - offering shock and corrosion protection. AC coils with integrated thermal fuse.

Small size for ease of mounting in confined spaces.

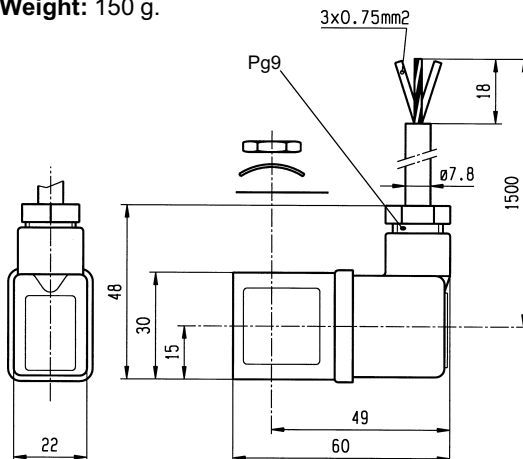
All Lucifer valves which are suitable for standard 22 mm coils can be fitted with those electric parts.



These electrical parts conform to the IEC/CENELEC safety standards and comply with European explosive atmosphere directive 94/9/EC «ATEX».

<b>Reference</b>		482605 or <b>VA01</b>	482606 or <b>VA02</b> * 482606.10 or <b>VA12</b> ° 482606.160 or <b>VA07</b>
<b>Approval</b>		<b>LCIE 02 ATEX 6014 X</b>	
<b>Type of protection</b>	<b>Gas</b>	II 2 G - EEx m II T4	II 2 G - EEx m II T5
	<b>Dust</b>	II 2 D - 130°C	II 2 D - 95°C
<b>Degree of protection</b>		<b>IP65</b> according to IEC / EN 60529 standards	
<b>Ambient temperature</b>		-40°C to +50°C	-40°C to +50°C The application is limited also by the temperature range of the valve
<b>Class of insulation</b>		F (155°C)	F (155°C)
<b>Electrical connection</b>		Cable connection (3 x 0.75 mm <sup>2</sup> ) encapsulated with coil	
<b>Elect. Power</b>	<b>DC</b>	<b>P<sub>n</sub></b> (hot)	5 W
		<b>P</b> (cold) 20°C	6.5 W
	<b>AC</b>	<b>P<sub>n</sub></b> (holding)	4 W
		Attraction cold	8.9 VA (5 W)
<b>Voltage / Voltage tolerance</b>		see voltage code table / tolerance ± 10% of the nominal voltage	
<b>Solenoid duty</b>		Continuous duty solenoid (ED 100%)	

**Weight:** 150 g.



\* 482606.10 for stainless steel application - 1.5 m cable length.

° 482606.160 - 6 m cable length.

#### Fuses:

Both electrical parts VA01 and VA02 have to be connected in series with a safety fuse according to CEI 60127-3.

#### VA01:

DC: 12V, 1000mA - 24V, 500mA - 48V, 200mA - 110V, 100mA  
AC 50 Hz: 24V, 500mA - 48V, 250mA - 110/115V, 100mA - 220/230V, 63mA  
AC 60 Hz: 24V, 630mA - 110/115V, 125mA - 220/230V, 63mA

#### VA02:

DC: 12V, 400mA - 24V, 200mA - 48V, 100mA - 110V, 50mA  
AC 50 Hz: 24V, 250mA - 48V, 125mA - 110/115V, 63mA - 220/230V, 32mA  
AC 60Hz: 24V, 315mA - 110/115V, 63mA - 220/230V, 32mA