

# Power line converter

... universal use of sensors  
with reasonable add-ons



## Features

- Compact boxed power supply with screw terminal block
- Wide input range 85 ... 265 VAC, 50 ... 60 Hz
- EMI / EMC compliance according to EN 61000-6-2, EN 61000-6-4
- Short circuit and overvoltage protection
- Separate terminal for sensors consisting of emitter and receiver part
- For sensors with NPN or PNP outputs
- Built-in in-line filter for improved EMC stability of the connected sensors

## Technical data

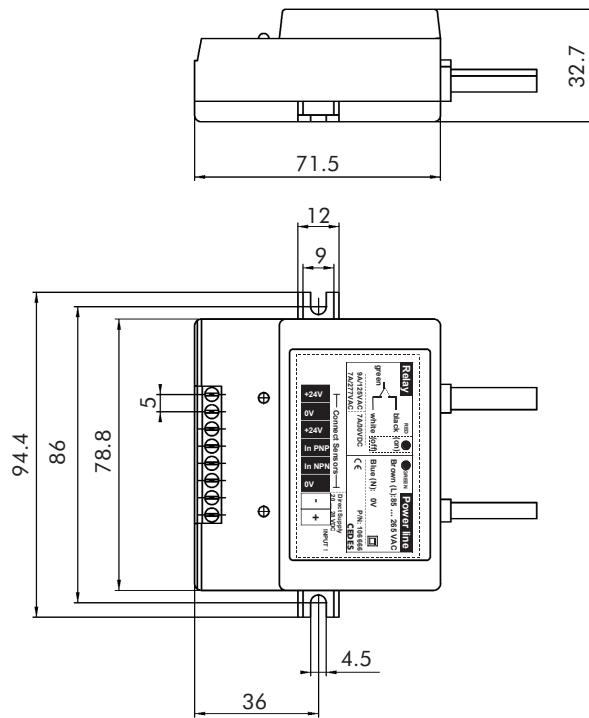
### Electrical

<i>Input for AC input</i>		<i>Output specification for 24 V</i>	
Input voltage range ( $U_{sp}$ )	85 ... 265 VAC	Output voltage	24 V $\pm$ 5%
Input frequency for AC input	47 ... 63 Hz	Ripple and noise	200 mVp-p (peak to peak)
Input current at full load	100 mA @ 230 VAC	Output current	250 mA
Recommended circuit breaker	250 V / 1 AT	Overload protection	Short circuit protection
<i>Input for signal lines</i>		Capacitive load	< 1 mF
Input type	1x PNP / 1x NPN	<i>Output specification for relay</i>	
		Max. relay output load	125 VAC / 9 A
			277 VAC / 7 A
			30 VDC / 7 A

### Mechanical

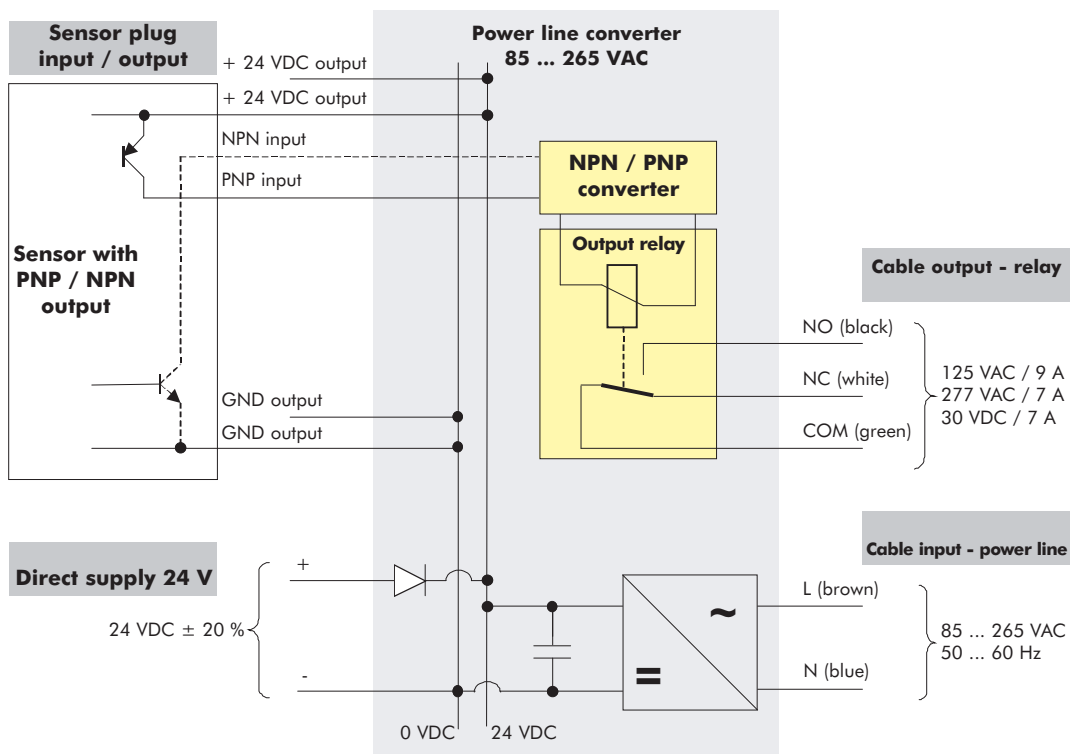
Dimensions	80 x 72 x 33 mm	<b>General</b>	
Enclosure rating	IP33	Start-up time	< 3 s
Temperature range - operation	-20 ... +60°C	Power on - LED	Green (power line only)
Temperature range - storage	-30 ... +80°C	Relay on - LED	Red
Housing material	ABS	Fire protection class	UL94 V-0
Cable length	1 m	Shock	IEC 60068-2-6
Cable voltage supply	2-cords, AWG23 (0.25 mm <sup>2</sup> )	Vibration	IEC 60068-2-29
Cable relay output	3-cords, AWG16 (1.0 mm <sup>2</sup> )		
Cable standard	IEC 60227-1		

## Dimensions



(All dimensions in mm)

## Block diagram



## Ordering information

Part no.	Type	Description
106 666	Power line converter	85 ... 265 VAC, for 24 V sensors with up to 250 mA current consumption