

TPS 210

Technical data

FEATURES

- ▶ Infrared-based triangulation proximity technology
- ▶ Integrated controller
- ▶ Built-in signal processing
- ▶ Insensitive to variable light conditions
- ▶ Plug-and-Play system
- ▶ Integrated status LED



OPTICAL

Technology	Two beam infrared triangulation sensor
Operating range	0.1 ... 2 m
Trigger level	0.3 ... 2 m
Distance detection accuracy (with Kodak white and gray test card)	
- At 0.5 m	±5 mm
- At 1.0 m	±10 mm
- At 2.0 m	±20 mm
Distance detection hysteresis	< 2% with Kodak white test card
Light beams	2
Light beam diameter	22 mm
Max. ambient light	100,000 Lux

MECHANICAL

Dimensions (w × h × l)	150 × 48 × 26 mm
Housing material	Polycarbonate (PC), black
Enclosure rating	IP65
Temperature range	-40 °C ... +60 °C

ELECTRICAL

Supply voltage U _{sp}	10 ... 30 VDC
Max. current consumption at 24 VDC	40 mA
Direction recognition	Max. 5 m/s with 0.2 m wide object
Outputs (A or B)	PNP or NPN
Max. output load	50 mA, max. 100 nF
Output puls duration	200 ms
Beam indicator	2 red LED (for each beam one LED)

CONNECTION CABLE AND ELECTRICAL CONNECTION

Length	
- Sensor	0.15 m
- Connecting cable	5 m
Connection	M8, 4-pin
• brown	U _{sp}
• blue	GND (0 V)
• black	Output B
• white	Output A

GENERAL

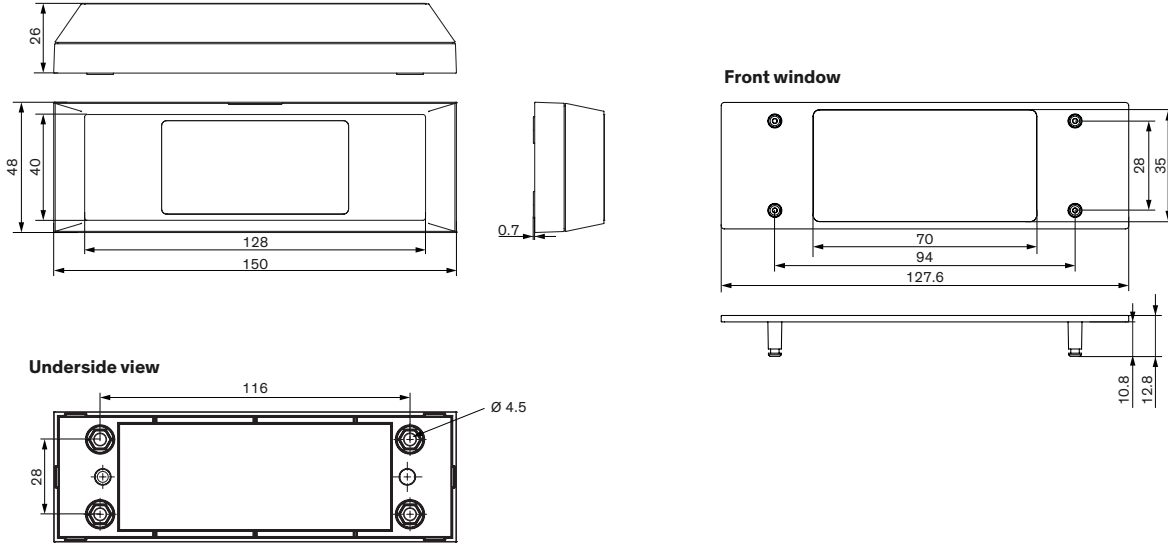
Eye safety	EN 62471:2008
EMC emission	EN 61000-6-3:2007
EMC immunity	EN 61000-6-2:2005
Vibration	IEC 60068-2-6:2007
Shock	IEC 60068-2-27:2008
RoHS	2011/65/EU
Certificate	CE, UKCA



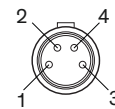
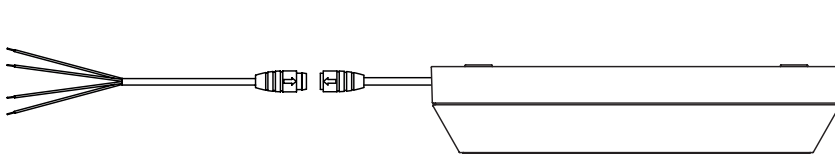
CEDES AG is certified according to ISO 9001: 2015

Dimensions

All dimensions in mm
 Proportions not to scale

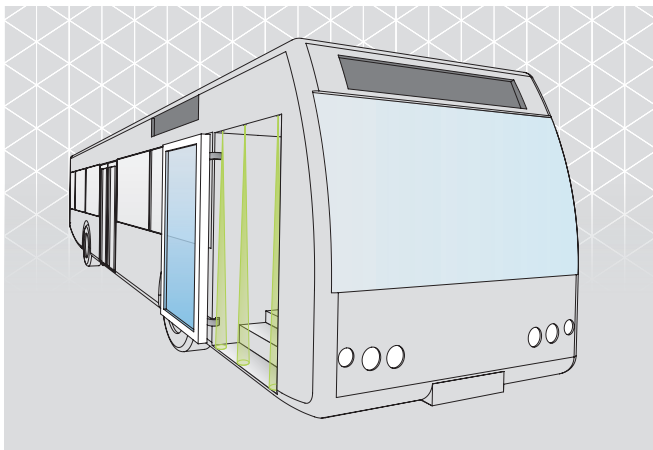


Electrical connection



- Pin 1** USP
brown
- Pin 2** PNP or NPN Output B
black
- Pin 3** GND (0 V)
blue
- Pin 4** PNP or NPN Output A
white

Application examples



People counting



People flow