



TX 490

# TX

## Rod thermostats (without immersion tube)

Rod thermostats are suitable for direct installation in tanks, pipelines and air ducts. The immersion well can be fitted in advance.

SIL 2 according IEC 61508-2



### Technical data

**Housing** Diecast aluminium GD Al Si 12 according to DIN 1725.

**Mounting position** Any, preferably vertical

**permitted ambient temperature at switching device** +70°C

**Max. perm. temperature at sensor** See Product Summary

**Contact arrangement** Single pole changeover switch

**Switching capacity** 8 (5) A 250 VAC

**Degree of protection** IP 54 according to DIN EN60529 (with vertical installation)

**Calibration** Scale value corresponds to the lower switching point (with falling temperature), the upper switching point is higher by the amount of the switching differential

**Plug connection** Via angled plug to DIN EN175301 (3-pin + earth contact), cable entry Pg 11, max. cable diameter 10 mm, cable outlet possible in 4 directions spaced 90° apart. Supplied with plug.

**Switching temperature** Adjustable from outside with screwdriver

**Switching differential** Not adjustable

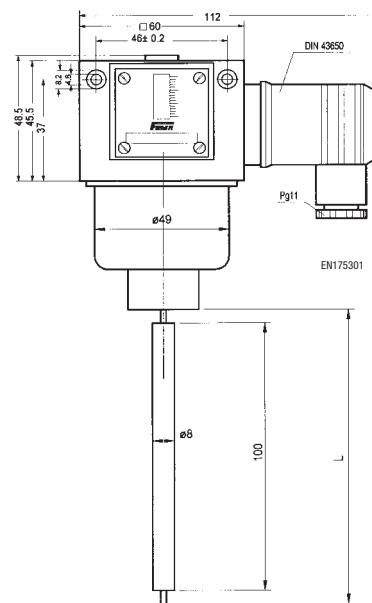
### Product Summary

Type	Setting range	Switching differential (mean values)	Max. permissible temperature at sensor
<b>Immersion depth 135 mm</b>			
TX023	-20 to + 30 °C	1.5 K	110 °C
TX150	+10 to + 50 °C	1.5 K	110 °C
TX490	+40 to + 90 °C	2.5 K	125 °C
TX813	+80 to +130 °C	4.0 K	150 °C
<b>Immersion depth 220 mm</b>			
TXB023	-20 to + 30 °C	1.5 K	110 °C
TXB150	+10 to + 50 °C	1.5 K	110 °C
TXB490	+40 to + 90 °C	2.5 K	125 °C
TXB813	+80 to +130 °C	4.0 K	150 °C

### + Accessories

Immersion tube type R10/MS, R20/MS, R10/NST, R20/NST, see page 157. Immersion tubes for NPT thread on request.

### Dimensioned drawing (mm)



⊕ -TX see page 118