



Ex-TRM150

Ex - TRM

Ex II 2G Ex d e IIC T6 Gb

Ex II 2D Ex tb IIIC T80 °C Db

FEMA room thermostats are suitable for industrial plants, for greenhouses, livestock buildings and warehouses, and also for monitoring the maximum temperature

in switchgear cabinets and relay stations. Room thermostats are supplied complete with wall bracket H1.



SIL 2 according IEC 61508-2

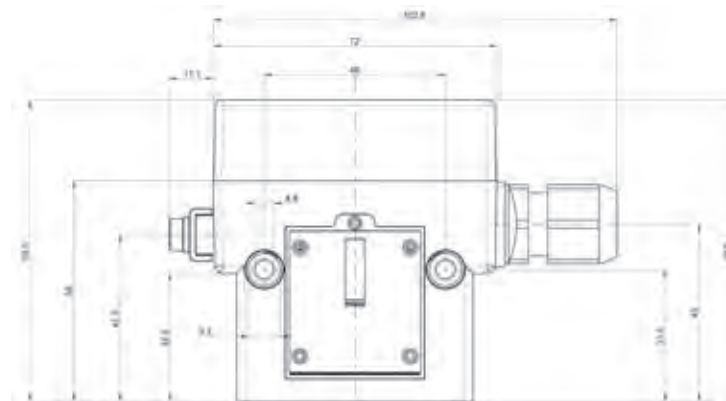
Technical data

Body	Diecast aluminium GD Al Si 12 according to DIN 1725. Resistant to ammoniacal vapours and seawater
Mounting position	vertically upright
Permitted ambient temperature	-20 to +60 °C
Permitted temperature at sensor	60°C
Contact arrangement	Single-pole changeover switch
Switching capacity	8 (5) A 250 VAC
Degree of protection	IP 65 according to DIN EN60529 (with vertical installation)
Mounting	With wall bracket H 1 or directly on the wall with 2 screws (Ø 4)
Calibration	Scale value corresponds to the lower switching point (with falling temperature), the upper switching point is higher by the amount of the switching differential
Switching temperature	Adjustable from outside with screwdriver
Switching differential	Not adjustable

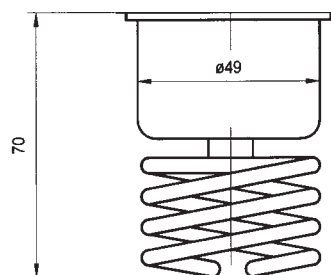
Product Summary

Type	Setting range	Switching differential (mean values)
Ex-TRM022	-20 to +20 °C	1.0 K
Ex-TRM40	0 to +40 °C	1.0 K
Ex-TRM150	+10 to +50 °C	1.0 K

Dimensioned drawings (mm)



Switching housing



Temperature sensor