



Ex-TAM813

Ex-TAM

Protection class with immersion tube:

Ex II 2G Ex d e IIC T6 Gb

Ex II 1/2D Ex ta/tb IIIC T80 °C Da/Db

The sensor cartridge at the end of the capillary tube is the actual active (temperature-sensitive) part of the sensor. Changes in temperature on the capillary tube have no effect on the

switching point. Pressure-tight installation of the sensor in pressure vessels of all kinds is possible with the aid of an immersion well.



SIL 2 according IEC 61508-2

Technical data

Body Diecast aluminium GD Al Si 12 according to DIN 1725.

Mounting position vertically upright

Permitted ambient temperature at switching device -20 to +60 °C

Capillary tube Cu capillary tube, 1.5 m long
Other capillary tube lengths are not possible

Sensor cartridge 8 mm Ø, 100 mm long, material: Cu

Contact arrangement Single pole changeover switch

Switching capacity 8 (5) A 250 VAC

Degree of protection IP 65 according to DIN EN60529 (with vertical installation)

Mounting Temperature sensor with or without immersion tube in containers, air ducts etc.
Switching device with 2 screws (Ø 4) directly on a flat wall surface

Calibration Scale value corresponds to the lower switching point (with falling temperature), the upper switching point is higher by the amount of the switching differential

Switching temperature Adjustable via the setting spindle with a screwdriver

Switching differential Not adjustable

Product Summary

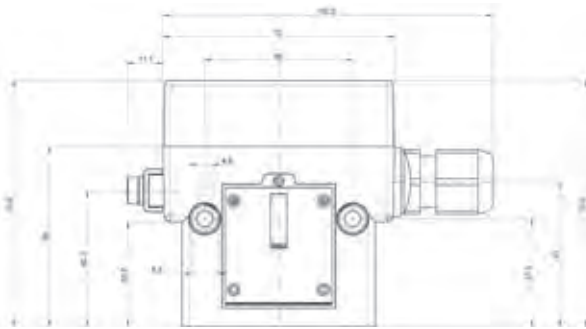
Type	Setting range	Switching differential (mean values)	Max. permissible temperature at sensor
Ex-TAM022	-20 to + 20 °C	1.5 K	110 °C
Ex-TAM150	+10 to + 50 °C	1.5 K	110 °C
Ex-TAM490	+40 to + 90 °C	2.0 K	125 °C
Ex-TAM813	+80 to +130 °C	2.0 K	150 °C

Accessories

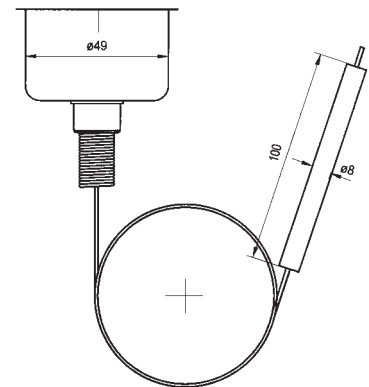
Immersion tube type ... R1, R2, R3, RN1, RN2, page 157.

Dimensioned drawings (mm)

Switching housing 700 (terminal connection, Ex-d)



Switching housing



Temperature sensor