



PHS Single and Demi Filter Housings

Air / Gas Filtration

- Flow efficient range of air and gas housings designed for food and beverage and biopharmaceutical applications
- Demi (TRUESEAL) and K-40" (226) housings
- Range of surface finish specifications
- Full material traceability
- Food grade compliance EC 1935/2004



Specifications

Materials of Construction

Housing: 316L/1.4404

Surface Finish

Internal Upstream: Mechanical polishing <math><0.8\mu\text{m Ra}</math>
Internal Downstream: Mechanical polishing <math><0.8\mu\text{m Ra}</math>
Mechanical polishing <math><0.4\mu\text{m Ra}</math>
External: Mechanical mirror polishing

Cartridge Socket: C (226), TRUESEAL
Number of Cartridges: 1

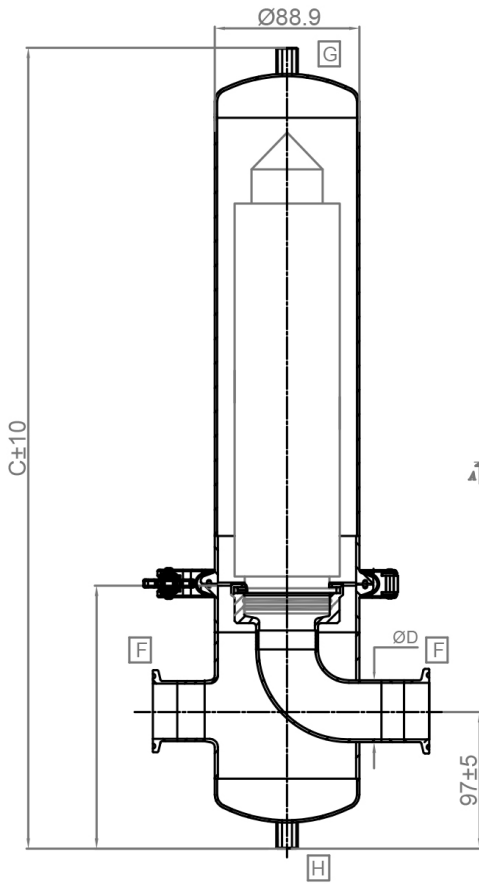
Technical Design Data

Design Code: PED 2014/68/EU
PED Category: SEP (Art 4.3)
CAT 1 for PHS 30" and 40"
PED Fluid Group: PHS Demi Group 1 & 2
PED Fluid State: PHS K-40" Group 2 only
ATEX Regulation: Group 2, CAT 2 Gas & Dust
Fluid GR IIC, Zone 1 & 21

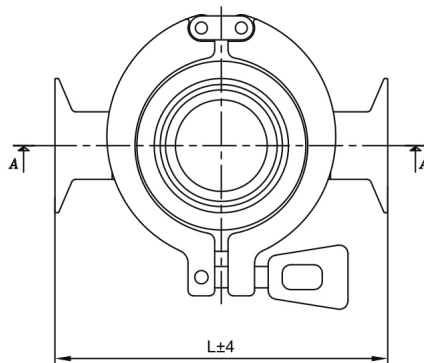
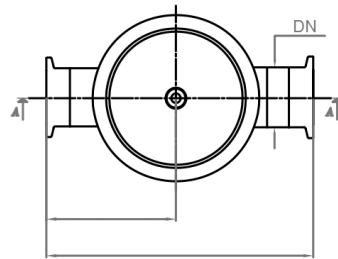
Design Pressure: -1 to 10 bar at -20°C to 150°C

Certification: Supplied as standard with IOMI and vessel inspection certificate

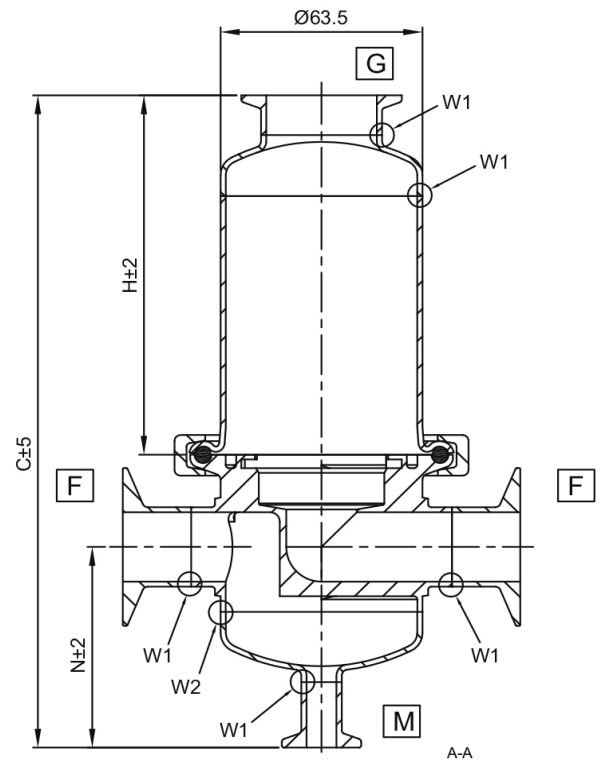
Dimensions



Model	K	10"	20"	30"	40"
Cartridges number x Height (inches)	0.1 x 05"	01 x 10"	01 x 20"	01 x 03"	01 x 40"
PED category	Art. 4.3	Art. 4.3	Art. 4.3	I	I
C mm (with vent)	380	500	750	1000	1250
Total vessel volume litres	2.2	3.0	4.0	6.0	7.0
Bowl weight kg	0.7	1.1	1.9	2.7	3.5
Total net weight kg	2.6	3.0	4.0	5.0	6.0
Total weight packed kg	3.6	4.0	5.0	6.0	7.0



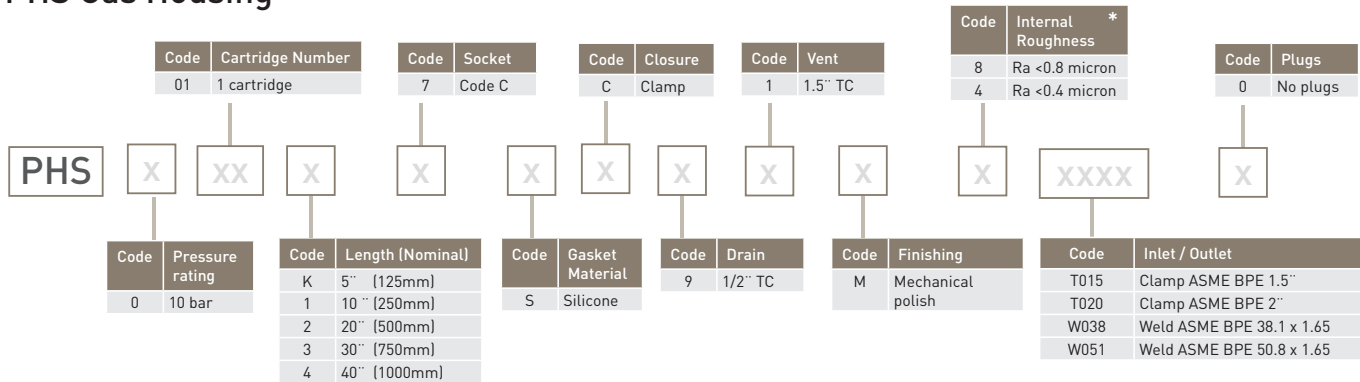
Dimensional Data		
In/out connection	TC 1.0"	
Cartridge height	2.5"	5"
PED Category	Art. 4.3	Art. 4.3
C (mm)	212	268
H (mm)	111	167
N (mm)	67	67
L (mm)	92	92



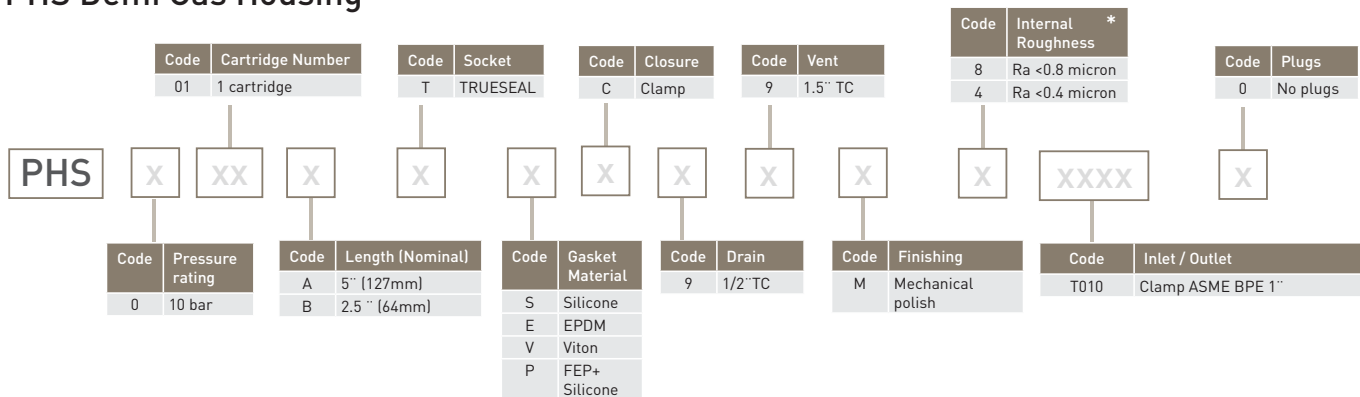
Parker has a continuous policy of product development and although the company reserves the right to change specifications, it attempts to keep customers informed of any alterations. This publication is for general information only and customers are requested to contact our sales department for detailed information and advice on a products suitability for specific applications. All products are sold subject to the company's standard of sale.

Ordering Information

PHS Gas Housing



PHS Demi Gas Housing



* Internal roughness 0.4µm Ra / 0.8µm Ra is guaranteed on downstream only.

* Vent and drain plugs/blanks not supplied as standard, available as separate parts.



Parker has a continuous policy of product development and although the company reserves the right to change specifications, it attempts to keep customers informed of any alterations. This publication is for general information only and customers are requested to contact our sales department for detailed information and advice on a products suitability for specific applications. All products are sold subject to the company's standard of sale.