

ZVA Housings

- air / gas



- Sanitary range air / gas housing
- Specifically designed for the Pharmaceutical industry
- Laboratory and pilot scale to large industrial applications
- Flow efficient design with low pressure drop
- Steam jacketed and electrically heated options



Specification

Materials of Construction

- Housing: 316L Stainless Steel
- Seals: EPDM

Surface Finish

- Multis - Basic Specification
 - Internal: Inside of outlet, assay and distribution box to be mechanically polished 0.8 µm Ra. Immerse entire vessel to achieve 100% pickle and passivation.
 - External: Grit blast 5 µm Ra mean

■ Multis - Full Specification

- Internal: Electropolish 0.6 µm Ra
- External: Bright Polished 0.4 µm Ra

Maximum Allowable Working Pressure (MAWP) PS

6 barg (87.0 psig)

Maximum Allowable Working Temperature (MAWT) TS

120 °C (248 °F)

Maximum Allowable Working Pressure Steam

3 barg (43.5 psig) @ 144 °C (291 °F)

Total Volume (litres)

031	032	033
31.0	40.0	49.0
051	052	053
65.0	88.0	72.0

Design Code

Housings designed in accordance with the European Council Pressure Equipment Directive (PED) 97/23/EC and the UK statutory Pressure Equipment Regulations (PER) 1999 No 2001. PED / PER conformity assessments based on Fluid Group 2 Gas (harmless) including steam. Only housings over PS.V 50 bar / litres bear the CE mark.

Design Basis

ASME VIII Division 1.

Custom Design

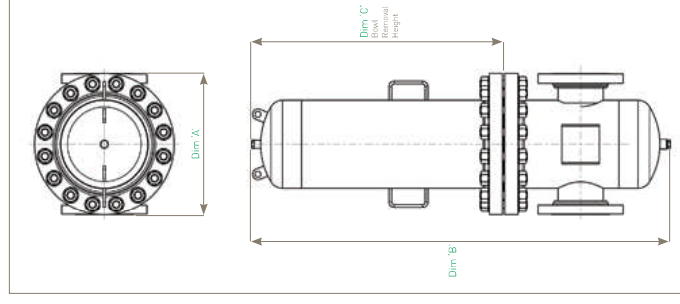
Parker domnick hunter offers a specialist and fabrication service allowing individual customer system specifications to be met.

ZVA Housings

Physical Characteristics

Bowl Height	Dimensions (mm)			Typical Weight (kg)
	A	B	C	
10" (250 mm)	336	794	320	42.0
20" (500 mm)	336	1064	570	47.0
30" (750 mm)	336	1274	800	50.0

Dimensions shown are for a ZMCE 3 round, 3" ANSI inlet / outlet connections. For the full range of dimensions and weights, please contact Parker domnick hunter.



Ordering Information

ZVA

Code	Vessel Class	Code No of Cartridges	Code Length (Nominal)	Code Connection Size	Code Connection Type	Code Connection Standard	Code Vent / Drain Conn. Type	Code Surface Finish
CE	Standard	03 3 05 5 09 9 15 15	1 10" (250 mm) 2 20" (500 mm) 3 30" (750 mm)	D 3" E 4" G 6" H 8"	F Flanged W Weld Prepared	A NPT / ANSI N Nominal Bore ISO ISO	B BSPP	C Economy Space F Full Spigot

Note: For accessories, i.e. gauges, please contact Parker domnick hunter - Process Division for full availability.