

# HPG Enhanced Plus Filter Housing

- high pressure air / gas

- Flow efficient range of housings for sterile filtration higher pressure air and gases
- Standard, sanitary & sanitary electropolished surface finishes available
- A number of inlet / outlet port connections available
- Range of vent and drain options
- Two pressure ratings:
  - 25 barg (363 psig) @ 140 °C (284 °F)
    - Typical application CO<sub>2</sub> & nitrogen sterile filtration
    - Higher pressure steam to 16 barg (232 psig)
  - 40 barg (580 psig) @ 140 °C (284 °F)
    - Typical application PET bottle blowing
    - Higher pressure steam to 32 barg (464 psig)
    - Group 1 gases, solvents and vapours to 16 barg (232 psig)



## Specification

### Materials of Construction

- Housing: 316L Stainless Steel
- Seals: EPDM FDA  
Silicone FDA  
Viton FDA
- Vent/Drain Seals: PTFE FDA

### Surface Finish

- Standard
  - Internal: As Welded  
Pickled & Passivated
  - External: Polished 0.8 µm Ra
- Sanitary
  - Internal: Polished 0.4 µm Ra
  - External: Polished 0.25 µm Ra
- Sanitary Electropolished
  - Internal: Polished 0.4 µm Ra and Electropolished
  - External: Polished 0.25 µm Ra

### Welding

All assembly welds are full penetration. All welds are crevice and undercut free.  
Weld finish & detail drawings available upon request.

### Design Code

Housings designed in accordance with the European Council Pressure Equipment Directive (PED) 97/23/EC and the UK statutory Pressure Equipment Regulations (PER) 1999 N° 2001.

### Design Basis

ASME VIII Division 1.

HPG 25 barg (362 psig)			Maximum Pressure					
Fluid Group	State	Temperature	01B	01A	01K	011	012	013
Non Dangerous	Gas / Vapour	140 °C (284 °F)	25.00 barg (362.00 psig)	25.00 barg (362.00 psig)	25.00 barg (362.00 psig)	25.00 barg (362.00 psig)	25.00 barg (362.00 psig)	25.00 barg (362.00 psig)
	Steam	204 °C (400 °F)	16.00 barg (232.06 psig)	16.00 barg (232.06 psig)	16.00 barg (232.06 psig)	16.00 barg (232.06 psig)	16.00 barg (232.06 psig)	16.00 barg (232.06 psig)
PED Conformity Assessment Category			SEP	SEP	CAT I	CAT I	CAT I	CAT I
Volume (litres)			0.5	0.7	2.5	3.5	5.5	7.5

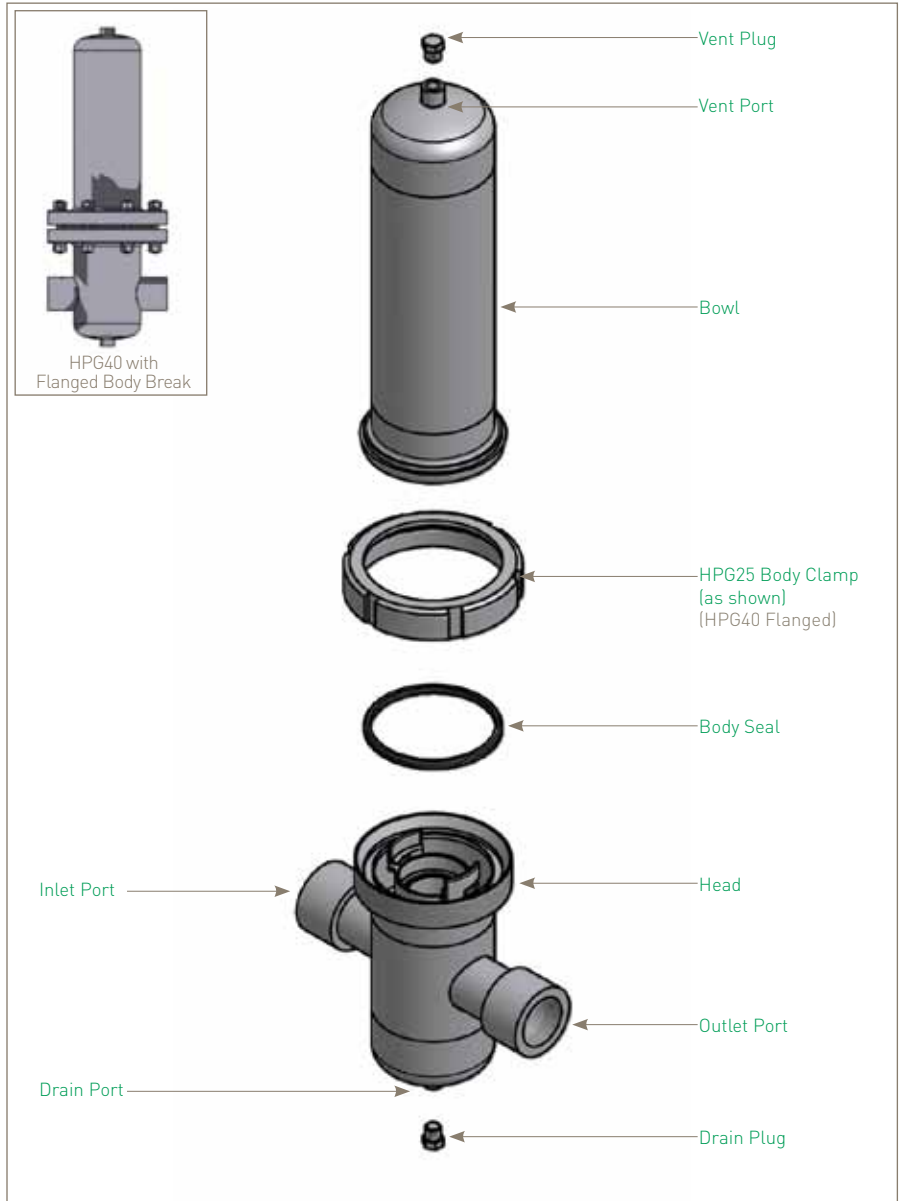
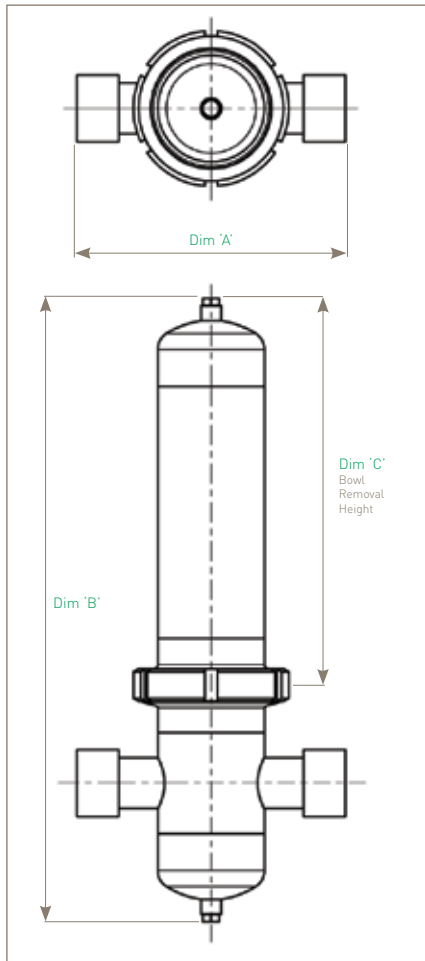
HPG 40 barg (580 psig)			Maximum Pressure					
Fluid Group	State	Temperature	01B	01A	01K	011	012	013
Non Dangerous	Gas / Vapour	140 °C (284 °F)	40.00 barg (580.00 psig)	40.00 barg (580.00 psig)	40.00 barg (580.00 psig)	40.00 barg (580.00 psig)	40.00 barg (580.00 psig)	40.00 barg (580.00 psig)
	Steam	239 °C (462 °F)	32.00 barg (464.12 psig)	32.00 barg (464.12 psig)	32.00 barg (464.12 psig)	32.00 barg (464.12 psig)	32.00 barg (464.12 psig)	32.00 barg (464.12 psig)
PED Conformity Assessment Category			SEP	SEP	CAT I	CAT I	CAT I	CAT II
Volume (litres)			0.5	0.7	2.5	3.5	5.5	7.5

Note: All housings are fully vacuum rated.

## Physical Characteristics

	Bowl Height	Dimensions (mm)			Typical Weight (Kg)		
		'A'	'B'	'C'	Bowl	Head	Total
B Size	(65 mm)	175	253	130	0.75	1.50	2.25
A Size	(125 mm)	175	308	180	1.00	1.50	2.50
K Size	(125 mm)	259	398	223	1.00	5.40	7.00
10"	(250 mm)	259	548	342	1.60	5.40	7.60
20"	(500 mm)	259	798	590	2.60	5.40	8.60
30"	(750 mm)	259	1050	840	3.60	5.40	9.60

Dimensions shown are for a vessel with 1 1/2" BSPP, 1/4" BSPP vent and drain. For other formats, please contact Parker domnick hunter.



## Ordering Information

HPG  01      -   -  -

Code   Vessel Class	Code   Length (Nominal)	Code   Connection Size	Code   Standard	Code   Cartridge	Code   Seal	Code   Vent	Code   Drain
25 25 barg 40 40 barg	B 2.5" (65 mm) A 5" (125 mm) K 5" (125 mm) 1 10" (250 mm) 2 20" (500 mm) 3 30" (750 mm)	B 1" [25.4 mm] Y 1 1/2" [49.3 mm]	B BSPP (F) H ANSI RF 300 L BS4504 DIN2633 PN63 N NPT (F) W Weld End	C 226 T 126	E EPDM P PTFE S Silicone V Viton	B 1/2" BSPP (F) N 1/4" NPT (F)	B G 1/4" BSPP N G 1/4" NPT

Code   Surface Finish	Internal	External
B Sanitary	0.4 µm	0.25 µm
I Standard	As Welded	0.8 µm
P Sanitary Electropolish	0.4 µm EP	0.25 µm

Code   Tagged	Yes	No
T	Yes	No
X	No	Yes

For Tagged Options customer identification numbers required at time of ordering

- Notes:
- Demi A & B housings have 1" OD (25.4 x 1.6 - BS4825) connections only and TRUESEAL (Code T) cartridge, DIN Union body break.
  - K - 30" housings have 1.5" (48.3 x 2.77 ANSI B36.19) connection and 226 (Code C) cartridges.
  - Sanitary - screwed and traditional flanges not considered sanitary.