

# VSL Housings

- sanitary liquid

- Multi-element sanitary liquid housing
- Designed specifically for the pharmaceutical industry
- Electropolished internal finish



## Specification

### Materials of Construction

- Housing: 316L Stainless Steel
- Seals: EPDM

### Surface Finish

- Internal: Electropolished 0.4 µm Ra
- External: Polished 0.25 µm Ra

### Economy Spec

An economy version is available with a lower specification, external finished to 0.8 µm Ra.

### Design Code

Housings designed in accordance with the European Council Pressure Equipment Directive (PED) 97/23/EC and the UK statutory pressure equipment regulations (PER) 1999 N° 2001. PED / PER Conformity assessments based on Fluid Group 2 Gas (harmless) allowing for in-situ steam sterilisation. Only housings over PS.V 50 bar / litres bear the CE mark.

### Design Basis

ASME VIII.

### Custom Design

Parker domnick hunter offers a specialist and fabrication service allowing individual customer system specifications to be met.

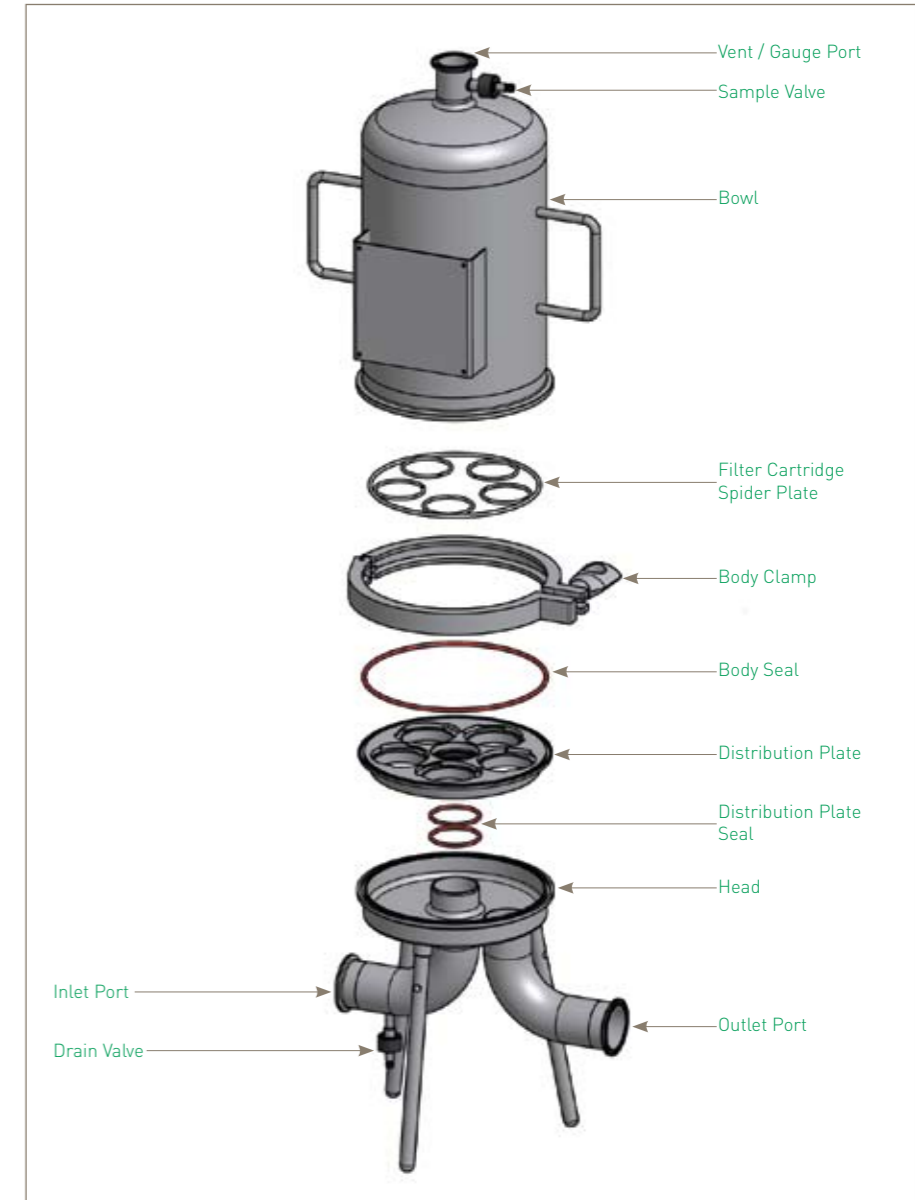
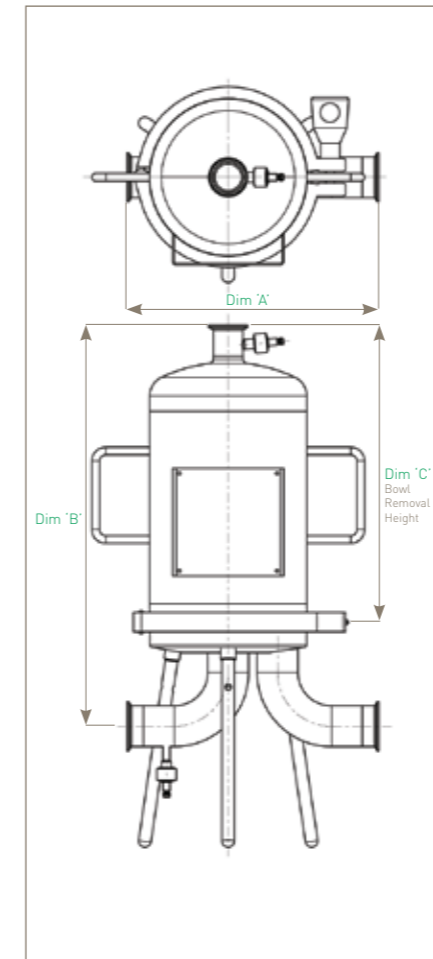
Working Condition PED 97/23/EC			Maximum Pressure		
Fluid Group	State	Temperature	3 / 5 Round	3 / 5 Round	3 / 5 Round
Non Dangerous	Liquids	80 °C [176 °F]	7.00 barg (101.50 psig)	7.00 barg (101.50 psig)	7.00 barg (101.50 psig)
Dangerous / Non Dangerous	Gas / Vapour	144 °C [297 °F]	3.00 barg (43.50 psig)	3.00 barg (43.50 psig)	3.00 barg (43.50 psig)
PED Conformity Assessment Category			CAT I	CAT II	CAT II
Volume (litres)			10.7	18.5	26.3

# VSL Housings

## Physical Characteristics

Type	Dimensions (mm)			Typical Weight (Kg)
	'A'	'B'	'C'	
10" (250 mm)	271	493	320	18.0
20" (500 mm)	271	743	570	22.0
30" (750 mm)	271	993	820	26.0

Dimensions shown are for a 3 Round VSL, 2" TCF inlet / outlet connections. For the full range of dimensions and weights, please contact Parker domnick hunter.



## Ordering Information

Code   Vessel Class	Code   N° of Cartridges	Code   Length (Nominal)	Code   Connection Size	Code   Connection Type	Code   Connection Standard	Code   Connection Type	Code   Seal
CE Standard	03 3 05 5	1 10" (250 mm) 2 20" (500 mm) 3 30" (750 mm)	C 2"	T Tri-Clamp	B British Standard D DIN 07* Economy Series	B Sanitary Bleed T Tri-Clamp	E EPDM P PTFE S Silicone V Viton

Note: For accessories, i.e. gauges, please contact Parker domnick hunter - Process Division for full availability.

\*Code finishes here, no mention of drain and seals